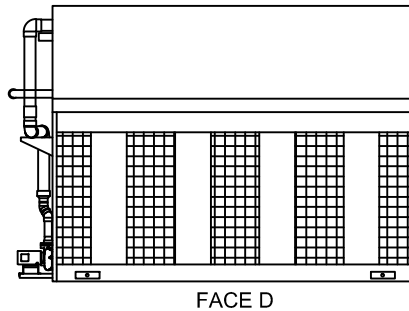
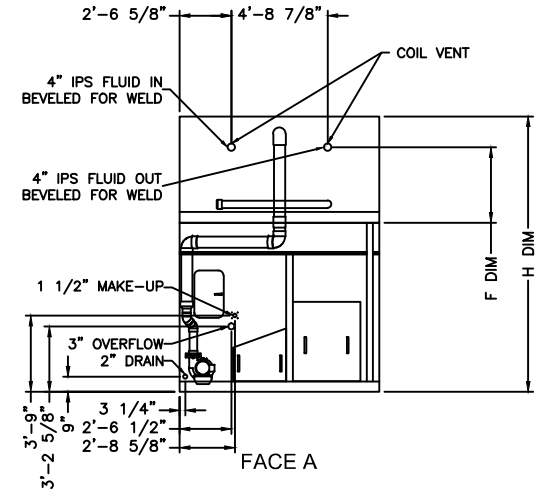
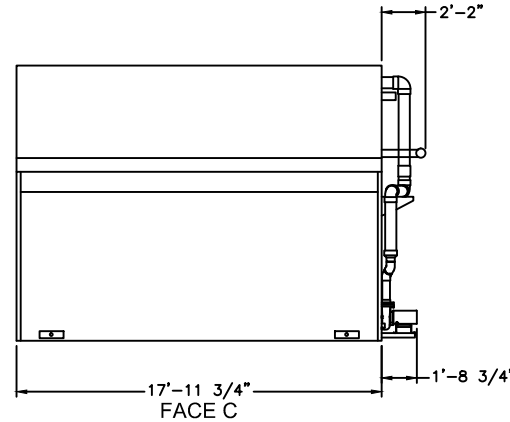
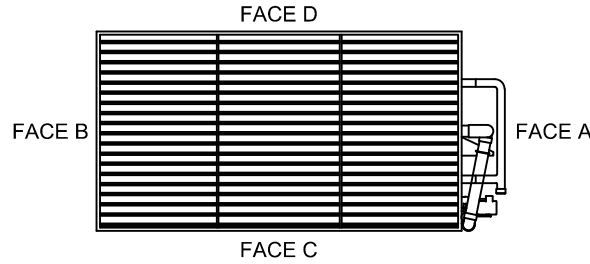
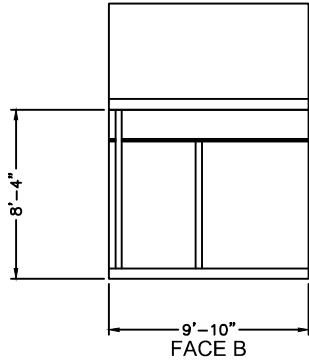


Notes

- 1) All dimensions are in feet and inches. Weights are in pounds.
- 2) Dimensions showing location of coil and spray water connections are approximate and should not be used for prefabrication of connecting piping.
- 3) The area above the discharge of the fan must be unobstructed.
- 4) For weight loading and support requirements refer to the suggested steel support drawing.
- 5) Do not support piping from unit connections. All necessary piping supports to be supplied by others.
- 6) Weights include all the options and accessories.
- 7) All unit piping connections 3" and smaller are MPT unless otherwise noted.
- 8) Coil is provided with a 1/2" threaded vent located on the upper outlet pipe stub.



Model Number	Operating Weight	Shipping Weight	Heaviest Section	H Dim	F Dim
VF1-1018N-4D2AT-N2	28840	19290	12120	13'-6 1/4"	3'-8 5/8"
VF1-1018N-4D2AT-O2	28940	19390	12120	13'-6 1/4"	3'-8 5/8"
VF1-1018N-4D2AT-P2	29260	19710	12120	13'-6 1/4"	3'-8 5/8"
VF1-1018N-4D2AT-Q2	29610	20060	12420	14'-0 1/4"	3'-8 5/8"
VF1-1018N-5D2AT-N2	32050	21600	14430	14'-3 1/2"	3'-6 1/2"
VF1-1018N-5D2AT-O2	32150	21700	14430	14'-3 1/2"	3'-6 1/2"
VF1-1018N-5D2AT-P2	32470	22020	14430	14'-3 1/2"	3'-6 1/2"
VF1-1018N-5D2AT-Q2	32820	22370	14730	14'-9 1/2"	3'-6 1/2"
VF1-1018N-6D2AT-N2	35150	23790	16620	14'-4"	4'-5 3/8"
VF1-1018N-6D2AT-O2	35250	23890	16620	14'-4"	4'-5 3/8"
VF1-1018N-6D2AT-P2	35570	24210	16620	14'-4"	4'-5 3/8"
VF1-1018N-6D2AT-Q2	35920	24560	16920	14'-10"	4'-5 3/8"
VF1-1018N-7D2AT-N2	38410	26140	18970	14'-11 1/2"	5'-1 3/8"
VF1-1018N-7D2AT-O2	38510	26240	18970	14'-11 1/2"	5'-1 3/8"
VF1-1018N-7D2AT-P2	38830	26560	18970	14'-11 1/2"	5'-1 3/8"
VF1-1018N-7D2AT-Q2	39180	26910	19270	15'-5 1/2"	5'-1 3/8"
VF1-1018N-8D2AT-N2	41600	28420	21250	15'-7"	5'-7 7/8"
VF1-1018N-8D2AT-O2	41700	28520	21250	15'-7"	5'-7 7/8"
VF1-1018N-8D2AT-P2	42020	28840	21250	15'-7"	5'-7 7/8"
VF1-1018N-8D2AT-Q2	42370	29190	21550	16'-1"	5'-7 7/8"

ORDER NO:

DATE:



BALTIMORE AIRCOIL COMPANY

VF1 Single Cell Unit Print

DRAWING NUMBER:
10x18 Circuited