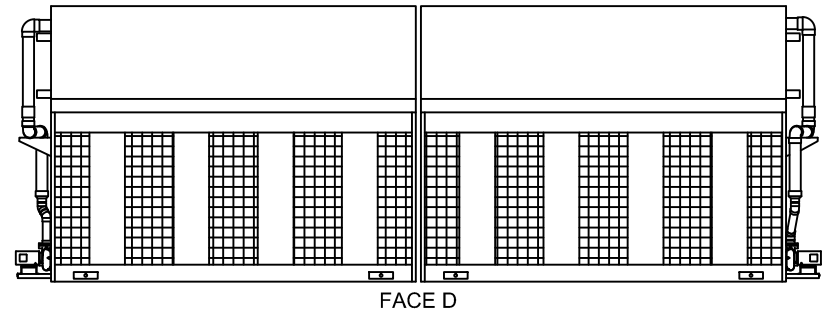
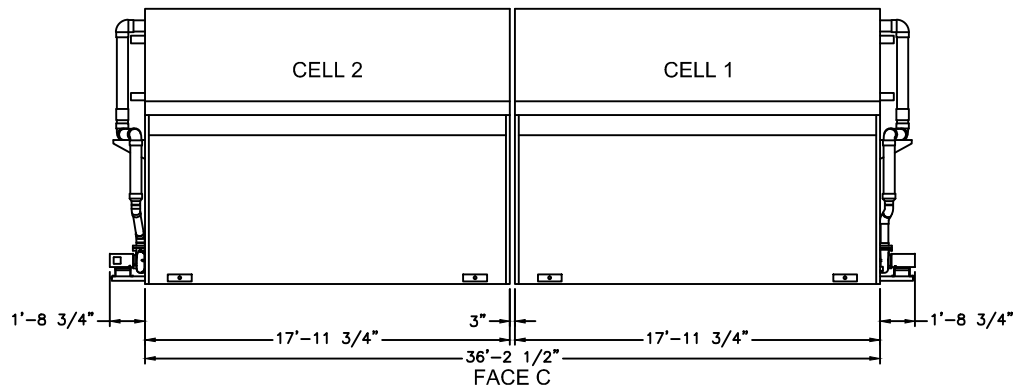
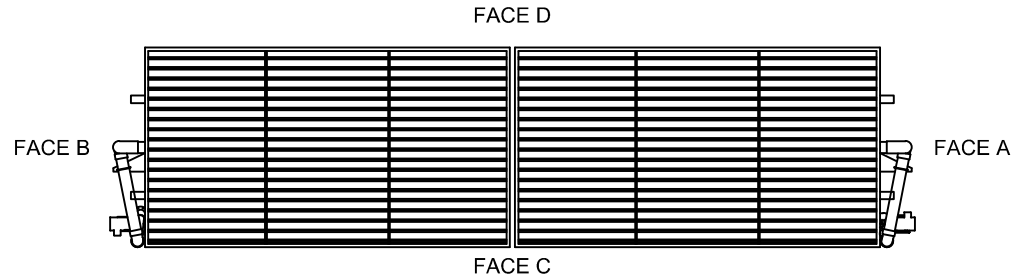
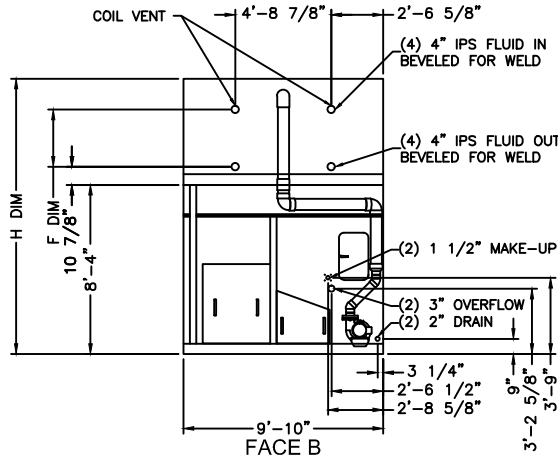


Notes

- 1) All dimensions are in feet and inches. Weights are in pounds.
- 2) Dimensions showing location of coil and spray water connections are approximate and should not be used for prefabrication of connecting piping.
- 3) The area above the discharge of the fan must be unobstructed.
- 4) For weight loading and support requirements refer to the suggested steel support drawing.
- 5) Do not support piping from unit connections. All necessary piping supports to be supplied by others.
- 6) Weights include all the options and accessories.
- 7) All unit piping connections 3" and smaller are MPT unless otherwise noted.
- 8) Coil is provided with a 1/2" threaded vent located on the upper outlet pipe stub.



| Model Number | Operating Weight | Shipping Weight | Heaviest Section | H Dim | F Dim |
|--------------------|------------------|-----------------|------------------|-------------|-----------|
| VF1-1036N-4D2AS-N4 | 53940 | 38580 | 12120 | 13'-6 1/4" | 2'-9 3/4" |
| VF1-1036N-4D2AS-O4 | 54140 | 38780 | 12120 | 13'-6 1/4" | 2'-9 3/4" |
| VF1-1036N-4D2AS-P4 | 54780 | 39420 | 12120 | 13'-6 1/4" | 2'-9 3/4" |
| VF1-1036N-4D2AS-Q4 | 55480 | 40120 | 12420 | 14'-0 1/4" | 2'-9 3/4" |
| VF1-1036N-5D2AS-N4 | 59460 | 43200 | 14430 | 14'-3 1/2" | 3'-6 1/2" |
| VF1-1036N-5D2AS-O4 | 59660 | 43400 | 14430 | 14'-3 1/2" | 3'-6 1/2" |
| VF1-1036N-5D2AS-P4 | 60300 | 44040 | 14430 | 14'-3 1/2" | 3'-6 1/2" |
| VF1-1036N-5D2AS-Q4 | 61000 | 44740 | 14730 | 14'-9 1/2" | 3'-6 1/2" |
| VF1-1036N-6D2AS-N4 | 64750 | 47580 | 16620 | 14'-4" | 3'-7 1/8" |
| VF1-1036N-6D2AS-O4 | 64950 | 47780 | 16620 | 14'-4" | 3'-7 1/8" |
| VF1-1036N-6D2AS-P4 | 65590 | 48420 | 16620 | 14'-4" | 3'-7 1/8" |
| VF1-1036N-6D2AS-Q4 | 66290 | 49120 | 16920 | 14'-10" | 3'-7 1/8" |
| VF1-1036N-7D2AS-N4 | 70360 | 52280 | 18970 | 14'-11 1/2" | 4'-2 5/8" |
| VF1-1036N-7D2AS-O4 | 70560 | 52480 | 18970 | 14'-11 1/2" | 4'-2 5/8" |
| VF1-1036N-7D2AS-P4 | 71200 | 53120 | 18970 | 14'-11 1/2" | 4'-2 5/8" |
| VF1-1036N-7D2AS-Q4 | 71900 | 53820 | 19270 | 15'-5 1/2" | 4'-2 5/8" |
| VF1-1036N-8D2AS-N4 | 75830 | 56840 | 21250 | 15'-7" | 4'-9 1/8" |
| VF1-1036N-8D2AS-O4 | 76030 | 57040 | 21250 | 15'-7" | 4'-9 1/8" |
| VF1-1036N-8D2AS-P4 | 76670 | 57680 | 21250 | 15'-7" | 4'-9 1/8" |
| VF1-1036N-8D2AS-Q4 | 77370 | 58380 | 21550 | 16'-1" | 4'-9 1/8" |

ORDER NO: _____

DATE: _____



VF1 Two Cell Unit Print

DRAWING NUMBER:
10x36 Non-Circuited