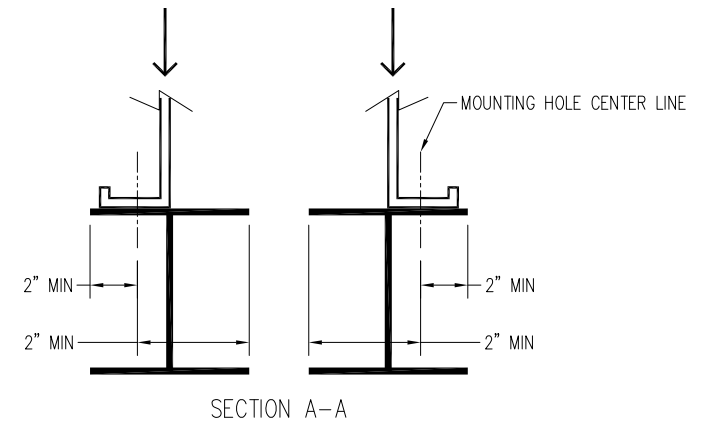


Notes

- 1) Supporting steelwork and anchor bolts to be designed and furnished by others.
- 2) All supporting steel must be flush and level at top.
- 3) Beams should be selected in accordance with accepted structural practice.
- 4) Supporting steel will be greater than or equal to the length of the unit's base.
- 5) Unit may not be point supported. Support must extend the entirety of unit length.
- 6) Each beam should be designed, as a minimum, for 65% of the total unit operating weight applied as a uniformly distributed load.
- 7) Weights include all of the options and accessories.



Model Number	Shipping Weight	Operating Weight
TRF-1038N-C80Gx77E	24714	29961

ORDER NO:

DATE: **9/18/2023 4:39:34 PM ConfigVer=1**



**BALTIMORE
AIRCOIL COMPANY**

**TrilliumSeries™ Adiabatic Cooler
Eighteen Fan Unit Support**

DRAWING NUMBER: