



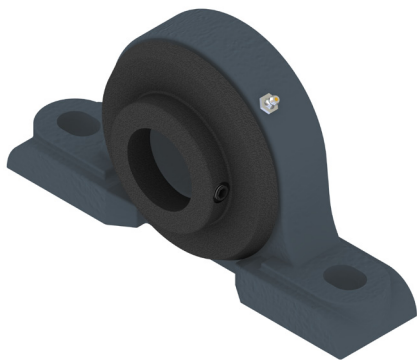
PRODUCT SPOTLIGHT: BAC Bearings



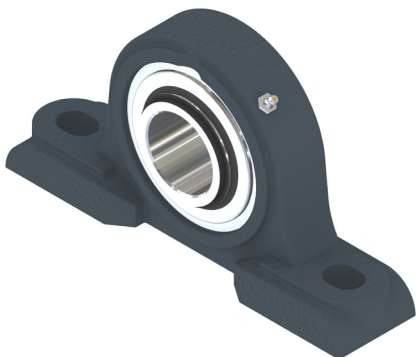
BAC Bearings are longer lasting with rugged, cooling tower duty construction resulting in less maintenance downtime, water ingress prevention and corrosion resistance.

Customer Benefits

- ✓ Longer bearing L_{10} life of 80,000 hours compared to 20-40,000 hours for other manufacturers' bearings
- ✓ Bearings' longer life results in less overall maintenance downtime for the life of the unit, reducing production losses and overall labor costs



Bearing with Flinger Collar



Bearing without Flinger Collar

Cooling Tower Duty Construction Features

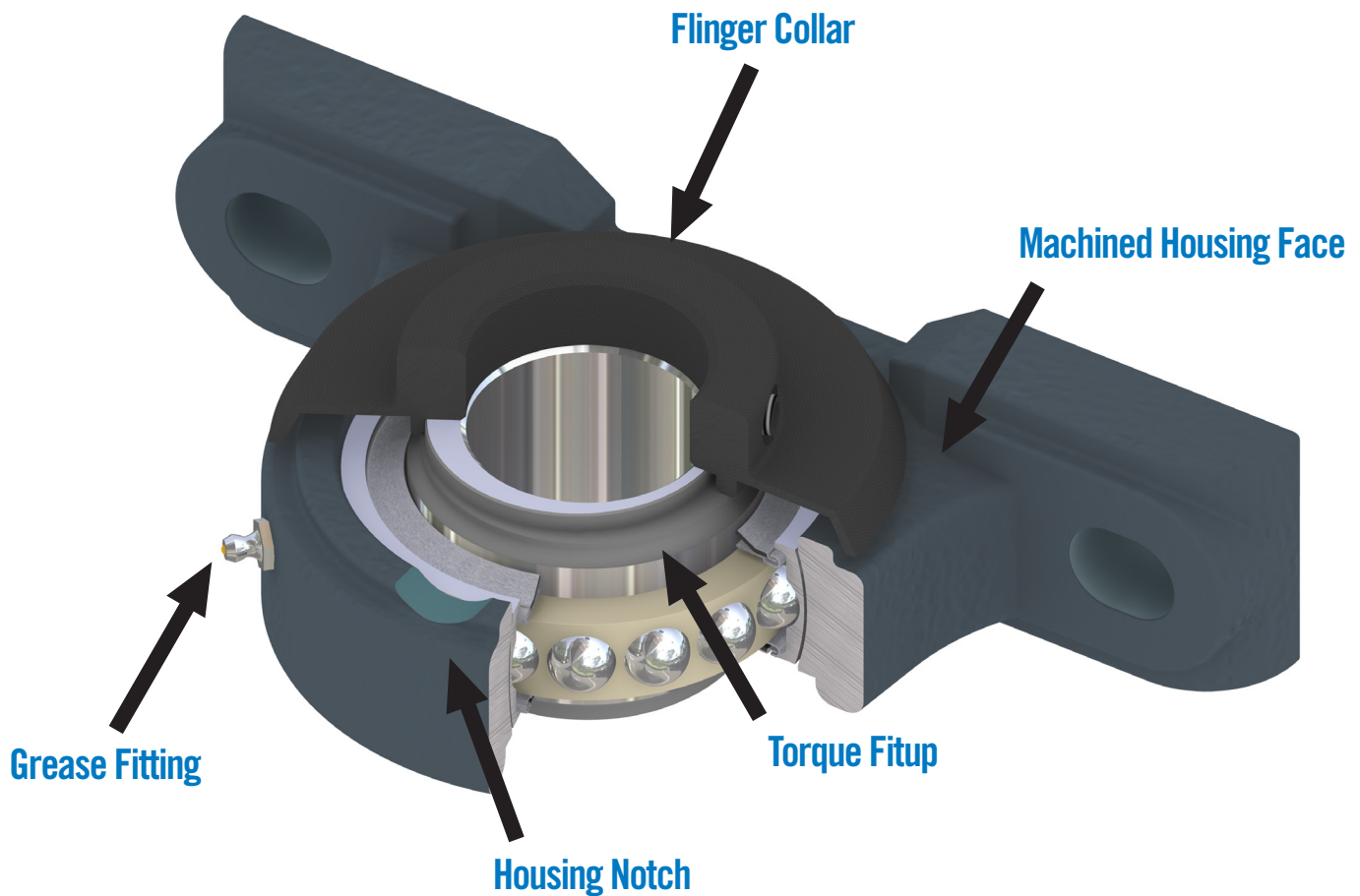
- ✓ Housing notch allows water to drain off of the bearing face, preventing pooling and corrosion
- ✓ Grease fitting location is unique, by injecting grease into the top of the bearing and using gravity to push old, contaminated grease out of the bottom
- ✓ BAC's flinger collar locks securely into bearing, adding an extra barrier to water ingress
- ✓ Machined housing face is flat so flinger collar is flush to the housing, preventing large gaps where water could collect between the flinger collar and the inner and outer ring faces, preventing corrosion

Top Three Reasons BAC Bearings are Best

- ✓ Durable construction and innovative design increases bearing life expectancy, decreasing unit downtime for corrective maintenance and frequent replacement
- ✓ BAC's design prevents water ingress, one of the largest reasons for bearing failure
- ✓ Corrosion is prevented by utilizing unique BAC construction features such as the housing notch and flinger collar

PRODUCT REPORT:

BAC Bearings CONTINUED



**BALTIMORE
AIRCOIL COMPANY**

www.BaltimoreAircoil.com

7600 Dorsey Run Road, Jessup, MD 20794 › Telephone: (410) 799-6200 › Fax: (410) 799-6416

PRD 201/2012

© 2012 Baltimore Aircoil Company