



Remote Sump Tanks

For Water Treatment and Freeze Protection

- G2** REMOTE SUMP TANKS
- G4** BENEFITS
- G4** FEATURES & OPTIONS
- G5** ENGINEERING DATA
- G6** STRUCTURAL SUPPORT

Remote Sump Tanks

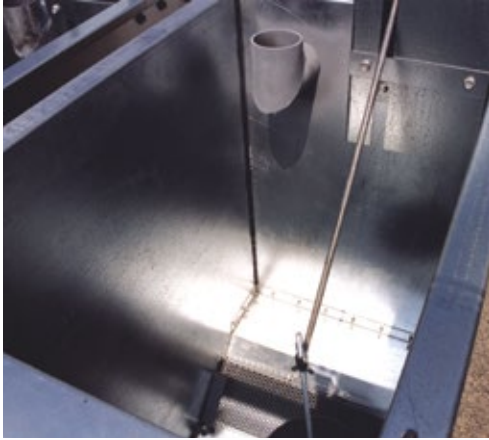


For Water Treatment and Freeze Protection

BAC's RS Remote Sump Tanks can easily be added to cooling towers, closed circuit cooling towers, or evaporative condenser systems and are offered in a variety of sizes and materials. Remote sump tanks can eliminate other methods of freeze protection and are often installed indoors in a heated space to prevent freezing of the recirculating water during cold weather operation. Adding a remote sump tank can simplify water treatment for multiple cell installations and facilitate dry operation of closed circuit cooling towers and evaporative condensers by eliminating the need to drain the cold water basin when switching from wet to dry operation.

**Single Tank Capacity 94-1,390 US Gallons
Maximum Storage Volume**

Remote Sump Tanks Benefits



Internal Access for Easy Maintenance

Low Installed Cost

SUPPORT STEEL

- All models mount directly on parallel I-beams

Easy Maintenance

INTERNAL ACCESS

- The interior of the unit is easily accessible for adjusting the float valve, cleaning the strainer, or flushing the remote sump tank

Reliable Year-Round Operation

FREEZE PROTECTION

- For reliable year-round operation, the remote sump tank offers freeze protection when installed indoors in a heated area, eliminating the need to install cold water basin heaters

Long Service Life

MATERIALS OF CONSTRUCTION

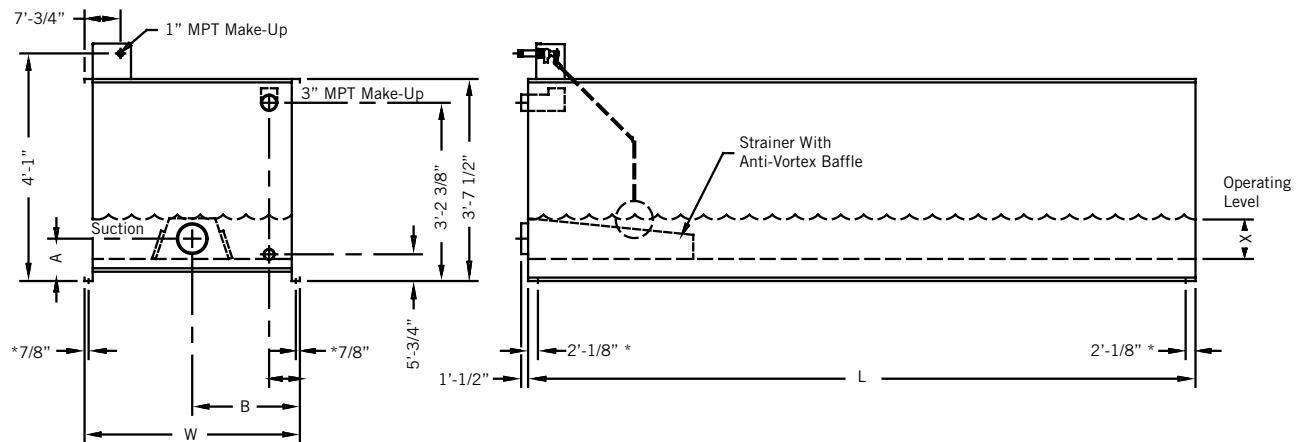
- Available in galvanized steel or with a Baltibond® Hybrid Coating

Remote Sump Tanks Features & Options

Single Tank Capacity 94-1,390 US Gallons // Maximum Storage Volume

Features & Options	Page	Description
CONSTRUCTION OPTIONS		
G-235 Galvanized Steel	H3	Universally recognized for its strength and durability
Baltibond® Hybrid Coating	H4	Thermosetting hybrid polymer coating baked onto the G-235 galvanized steel creating another layer of protection
COLD WATER BASIN		
Hot Well/Cold Well Arrangement	—	A water tight center baffle is provided, along with additional suction and drain connections and strainer, for separate storage of hot and cold water. This arrangement is provided with a single make-up assembly. The hot well/cold well arrangement is frequently used with highly variable loads to even out the load put on the evaporative cooling equipment.
Mechanical Water Level Control	H17	Maintains the water level in the basin with a float valve
Electric Water Level Control	H17	Maintains the water level with conductivity probes and a solenoid valve
ACCESS		
Tank Covers	—	Covers with lifting handles are available

Remote Sump Tanks Engineering Data



Model Number	Shipping Weights (lbs)	Maximum Weight (lbs) ⁽¹⁾	Maximum Storage Volume (gal)	"X" Minimum Operating Level ⁽²⁾	Net Available Volume (gal)	Dimensions				Suction MPT
						W	L	A	B	
RS 94	240	1,070	94	8 1/2"	72	1'-11"	3'-1"	8"	1'	4"
RS 212	350	2,220	212	8 1/2"	163	3'-11"	3'-1"	8"	2'	4"
RS 335	470	3,410	335	8 1/2"	257	3'-11"	4'-7"	8"	2'	4"
RS 457	610	4,630	457	8 1/2"	351	3'-11"	6'-0"	10"	2'	6"
RS 702	800	6,970	702	8 1/2"	539	3'-11"	9'	10"	2'	6"
RS 946	1,030	9,340	946	8 1/2"	727	3'-11"	12'	10"	2'	6"
RS 1390	1,260	13,470	1,390	8 1/2"	1,068	5'-7"	12'	10"	2'-10"	6"



NOTES:

1. Maximum weight is for tank filled with water to spill-out.
2. Minimum operating level "X" is measured from inside bottom of tank.

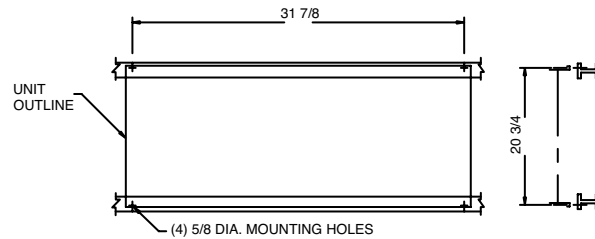
Do not use for construction. Refer to factory certified dimensions. This catalog includes data current at the time of publication, which should be reconfirmed at the time of purchase. Up-to-date engineering data, free product selection software, and more can be found at BaltimoreAircoil.com.

Remote Sump Tanks

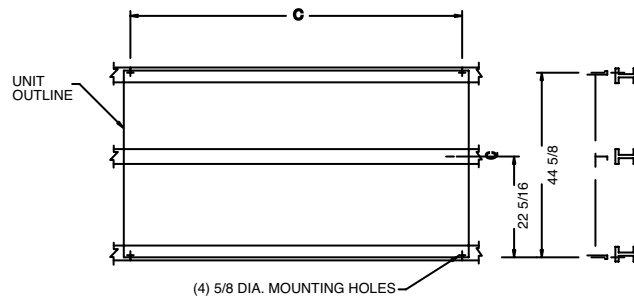
Structural Support

The recommended support arrangement for the RS Remote Sump Tank consists of parallel structural members running the full length of the unit, spaced as shown in the following drawings. In addition to providing adequate support, the members also serve to raise the unit above any solid foundation to assure access to the bottom of the unit. To support a RS Remote Sump Tank in an alternate support arrangement, consult your local BAC Representative.

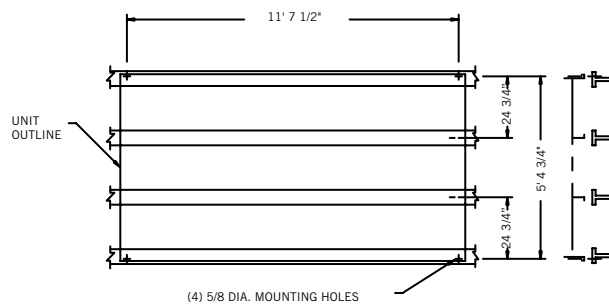
Model Number	C
RS 94	—
RS 212	2'-8"
RS 335	4'-2"
RS 457	5'-8"
RS 702	8'-8"
RS 946	11'-8"
RS 1390	—



RS-94



RS-212 thru 946



RS-1390



NOTES:

1. Support members and anchor bolts shall be designed, furnished, and installed by others.
2. Design of support members and anchor bolts shall be in accordance with the strength and serviceability requirements of the applicable building code and project specifications.
3. Support members shall be level at the top.
4. Refer to the certified unit support drawing for loading and additional support requirements.