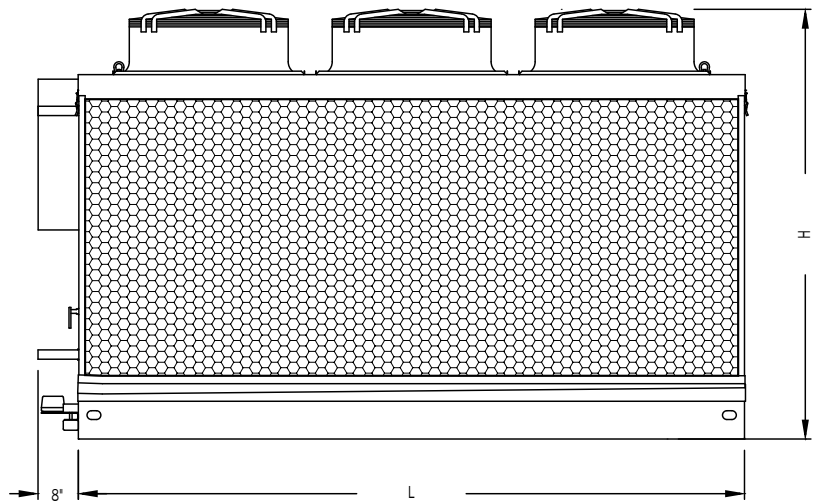
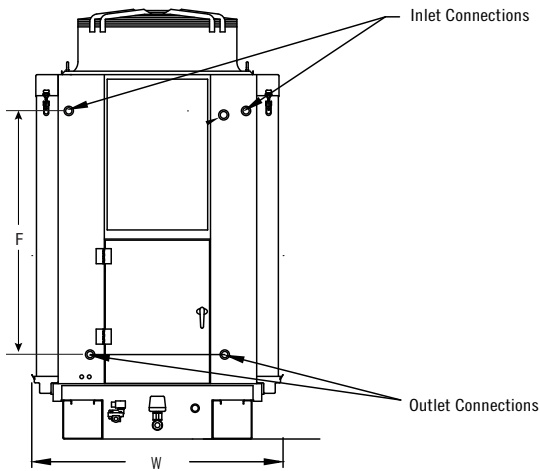


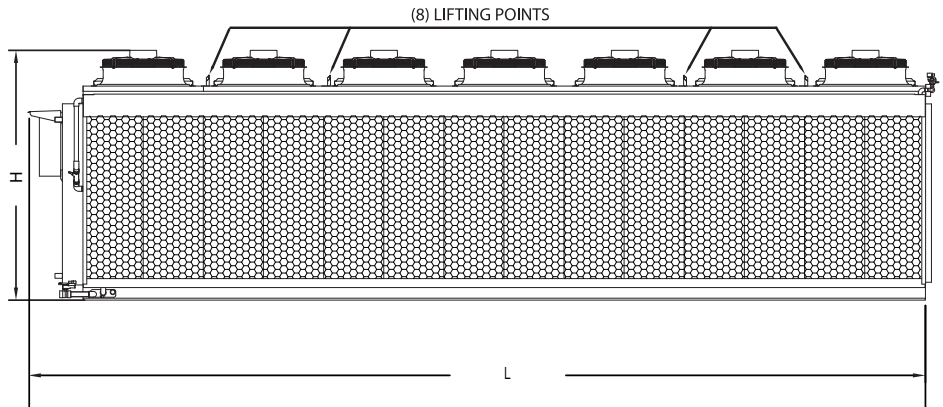
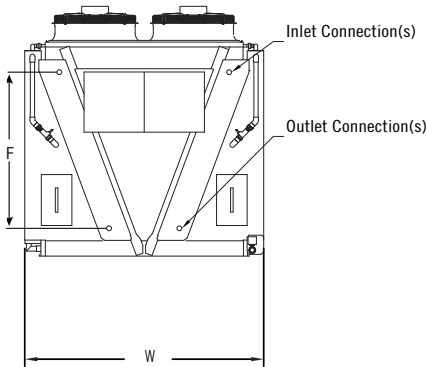
TrilliumSeries™ Adiabatic Products

Engineering Data

TSDC, TSDC2 & TSDF2



TSDC Models



TSDC2 and TSDF2 Models



Do not use for construction. Refer to factory certified dimensions. This catalog includes data current at the time of publication, which should be reconfirmed at the time of purchase. Up-to-date engineering data, free product selection software, and more can be found at BaltimoreAircoil.com.

Model Number	Fan Qty	Tons ⁽¹⁾	MBH	Motor HP ⁽²⁾	Airflow (CFM)	Total Unit FLA at 460V	Length (L)	Width (W)	Height (H)	F	Shipping Weight (lbs)	Operating Weight (lbs)			
TSDC-TF-033-3	1	33	391 ⁽²⁾	3	14,890	4.7	5'-3"	5'-7"	7'-1/2"	4'-0"	1,740	1,990			
TSDC-TF-058-6.2	2	59	702 ⁽²⁾	6.2	28,000	8.7	7'-11"				2,400	2,690			
TSDC-TF-085-9.6	3	86	1,026 ⁽²⁾	9.6	41,400	12.6	11'-1"				3,150	3,500			
TSDC-TF-116-12.4	4	117	1,405 ⁽²⁾	12.4	56,000	16.6	15'-7"				4,140	4,560			
TSDC2-TF-119-12.4	4	119	1,428 ⁽²⁾	12.4	42815	17.0	10'-12"	7'-10"	8'-2"	8'-7/8"	3,946	4,431			
TSDC2-TF-178-18.6	6	178	2,136 ⁽²⁾	18.6	68722	24.8	14'-11"				5,401	6,085			
TSDC2-TF-234-24.8	8	234	2,808 ⁽²⁾	24.8	91630	32.5	18'-10"				6,834	7,716			
TSDC2-TF-292-31.0	10	292	3,504 ⁽²⁾	31	114537	40.3	22'-10"				8,047	9,149			
TSDC2-TF-350-37.2	12	350	4,200 ⁽²⁾	37.2	137445	48.1	26'-9"				9,700	11,001			
TSDC2-TF-407-43.4	14	407	4,884 ⁽²⁾	43.4	160352	55.8	30'-8"				10,979	12,456			
TSDC-CO2-044-3	1	44	528 ⁽⁴⁾	3	15,200	4.7	5'-3"				5'-7"	7'-1/2"	4'-0"	1,650	1,890
TSDC-CO2-077-6.2	2	77	924 ⁽⁴⁾	6.2	28,800	8.7	7'-11"	2,300	2,580						
TSDC-CO2-112-9.6	3	112	1,344 ⁽⁴⁾	9.6	42,600	12.6	11'-1"	2,970	3,300						
TSDC-CO2-152-12.4	4	152	1,824 ⁽⁴⁾	12.4	57,500	16.6	15'-7"	3,940	4,340						
TSDC-CO2-202-12.4	4	202	2,424 ⁽⁵⁾	12.4	42,815	17.0	10'-12"	4,365	4,916						
TSDC2-CO2-297-18.6	6	297	3,564 ⁽⁵⁾	18.6	68,722	24.8	14'-11"	7'-10"	8'-2"	8'-7/8"	6,041	6,834			
TSDC2-CO2-402-24.8	8	402	4,824 ⁽⁵⁾	24.8	91,630	32.5	18'-10"				8,047	9,083			
TSDC2-CO2-509-31.0	10	509	6,108 ⁽⁵⁾	31	114,537	40.3	22'-10"				9,392	10,670			
TSDC2-CO2-599-37.2	12	599	7,188 ⁽⁵⁾	37.2	137,445	48.1	26'-9"				11,662	13,184			
TSDC2-CO2-698-43.4	14	698	8,376 ⁽⁵⁾	43.4	160,352	55.8	30'-8"				13,184	14,881			
TSDC2-SS-106-12.4	4	106	1,272 ⁽³⁾	12.4	42,815	17.0	10'-12"				7'-10"	8'-2"	9'-1/2"	4,321	4,784
TSDC2-SS-156-18.6	6	156	1,872 ⁽³⁾	18.6	68,722	24.8	14'-11"							5,864	6,526
TSDC2-SS-209-24.8	8	209	2,508 ⁽³⁾	24.8	91,630	32.5	18'-10"	7,430	8,289						
TSDC2-SS-262-31.0	10	262	3,144 ⁽³⁾	31	114,537	40.3	22'-10"	8,708	9,789						
TSDC2-SS-313-37.2	12	313	3,756 ⁽³⁾	37.2	137,445	48.1	26'-9"	10,670	11,949						
TSDC2-SS-351-43.4	14	351	4,212 ⁽³⁾	43.4	160,352	55.8	30'-8"	12,081	13,492						
TSDF2-WG-22L-12.4	4	46	684 ⁽⁶⁾	12.4	45,625	17.0	10'-12"	7'-10"	8'-2"	9'-1/2"				3,836	4,982
TSDF2-WG-23R-18.6	6	69	1,028 ⁽⁶⁾	18.6	68,435	24.8	14'-11"				5,181	6,812			
TSDF2-WG-24S-24.8	8	93	1,390 ⁽⁶⁾	24.8	91,249	32.5	18'-10"				6,526	8,598			
TSDF2-WG-25M-31.0	10	114	1,717 ⁽⁶⁾	31	114,060	40.3	22'-10"				7,606	10,163			
TSDF2-WG-26D-37.2	12	135	2,027 ⁽⁶⁾	37.2	136,869	48.1	26'-9"				9,171	12,192			
TSDF2-WG-27D-43.4	14	159	2,386 ⁽⁶⁾	43.4	159,680	55.8	30'-8"				10,362	13,801			
TSDF2-WG-22S-12.4	4	44	665 ⁽⁶⁾	12.4	45,625	17.0	10'-12"				7'-10"	8'-2"	9'-1/2"	3,836	4,982
TSDF2-WG-23M-18.6	6	67	998 ⁽⁶⁾	18.6	68,435	24.8	14'-11"	5,181	6,812						
TSDF2-WG-24D-24.8	8	88	1,313 ⁽⁶⁾	24.8	91,249	32.5	18'-10"	6,526	8,598						
TSDF2-WG-25D-31.0	10	111	1,670 ⁽⁶⁾	31	114,060	40.3	22'-10"	7,606	10,163						
TSDF2-WG-26T-37.2	12	131	1,969 ⁽⁶⁾	37.2	136,869	48.1	26'-9"	9,171	12,192						
TSDF2-WG-27T-43.4	14	154	2,314 ⁽⁶⁾	43.4	159,680	55.8	30'-8"	10,362	13,801						

NOTES:



1. Tons cover NH₃, HFC, CO₂, and H₂O at a variety of conditions. For specific selections, please contact your local BAC Representative.
2. Base Heat Rejection (Mbh) is based on R-404A 95°F Dry Bulb Temperature / 76°F Wet Bulb Temperature / 105°F Condensing Temperature.
3. Base Heat Rejection (Mbh) is based on R-717 95°F Dry Bulb Temperature / 76°F Wet Bulb Temperature / 105°F Condensing Temperature.
4. Base Heat Rejection (Mbh) is based on R-744 95°F dry-bulb / 76°F wet-bulb and 240°F Gas Temperature In / 85°F Gas Temperature Out / 1,440 psi Design Pressure.
5. Base Heat Rejection (Mbh) is based on R-744 95°F dry-bulb / 76°F wet-bulb and 191°F Gas Temperature In / 85°F Gas Temperature Out / 1,400 psi Design Pressure.
6. Base Heat Rejection (Mbh) is based on Water 100°F dry-bulb / 76°F wet-bulb and 95°F Water Temperature In / 85°F Water Temperature Out / 150 psi Design Pressure.
7. TSDC2 and TSDF2 models have two (2) 0.33 HP pumps.
8. The water make-up connection is 3/4", drain connection is 1 1/4" or 1 1/2", and overflow connection is 1 1/2".