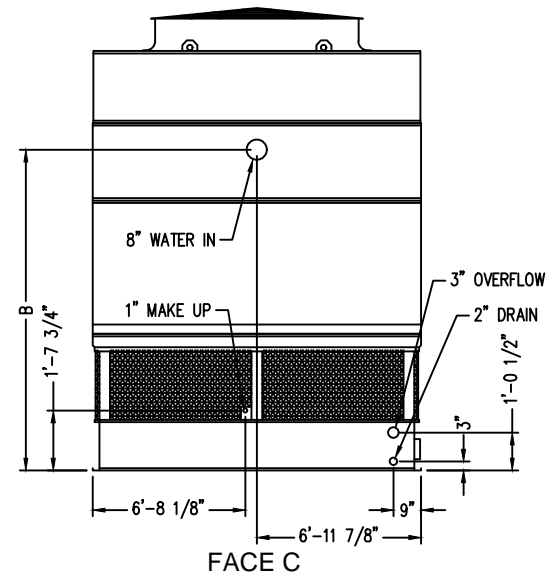


- Notes
- 1) Unless otherwise indicated, connections 3" and smaller are NPT. Connections 4" and larger are grooved to suit a mechanical coupling and beveled for welding.
 - 2) All dimensions are in feet and inches. Weights are in pounds and include options and accessories.
 - 3) For weight loadings and support requirements, refer to the suggested steel support drawing.
 - 4) The area above the fan discharge must be unobstructed.
 - 5) Piping must not be supported by the tower inlet or outlet connections.
 - 6) Unit weights include selected accessories.
 - 7) M = Motor location.
 - 8) External motor assembly ships loose for field installation.

Right Hand Unit

Model Number	Shipping Weight	Operating Weight	Heaviest Section	"H"	"B"	"D"	"L"
PT2-0814A-1x1	4800	9580	3460	11'-8"	7'-3 1/4"	6'-11 3/4"	4'-1 3/8"
PT2-0814A-2x1	5250	10030	3920	12'-8"	8'-3 1/4"	7'-11 3/4"	4'-1 3/8"
PT2-0814A-3x1	5660	10440	4320	13'-8"	9'-3 1/4"	8'-11 3/4"	4'-1 3/8"
PT2-0814A-4x1	5900	10960	4320	14'-8"	10'-3 1/4"	8'-11 3/4"	5'-1 3/8"
PT2-0814A-5x1	6230	11290	4650	15'-8"	11'-3 1/4"	9'-11 3/4"	5'-1 3/8"



ORDER NO:

DATE:



**BALTIMORE
AIRCOIL COMPANY**

**PT2 Single Cell Unit Print
External Belt Drive**

DRAWING NUMBER:
GEN-PT2-0814A