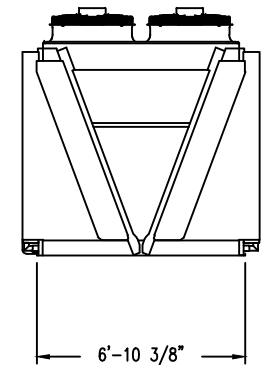
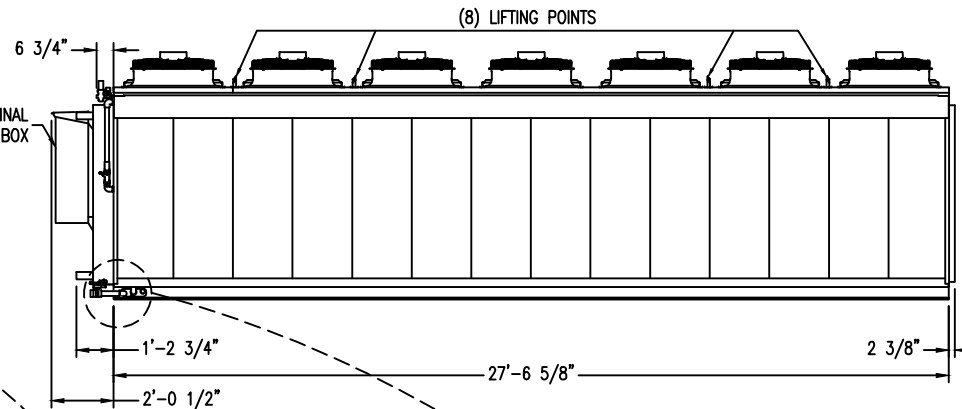
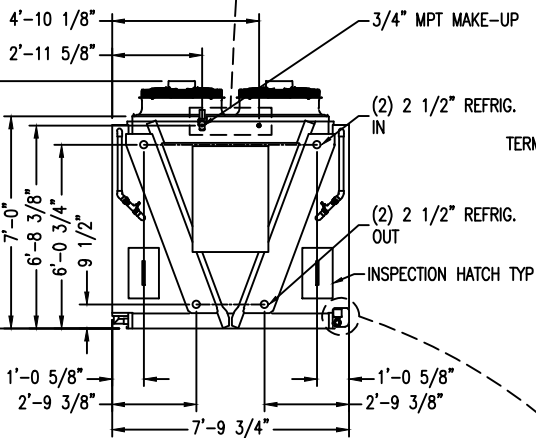
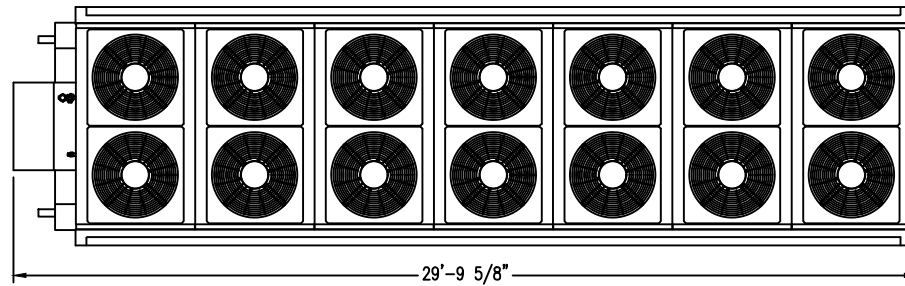
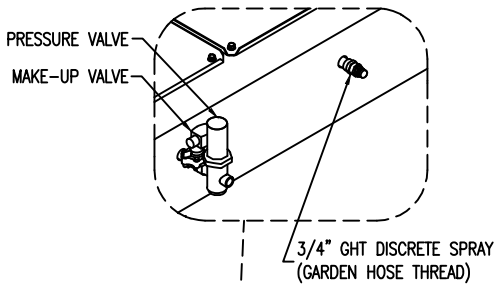
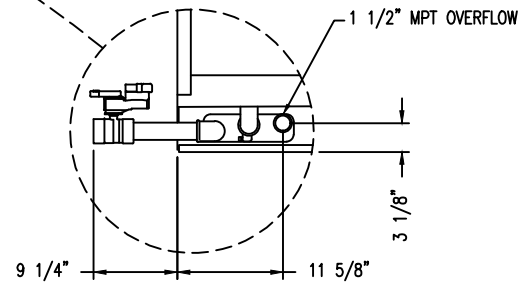
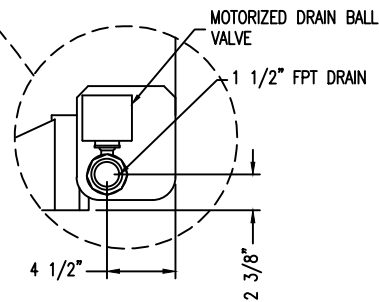


ISOMETRIC DETAIL VIEW



- Notes
- 1) All dimensions are in feet and inches. Weights are in pounds and include options and accessories.
 - 2) Dimensions showing locations of coil & basin connections are approximate and should not be used for prefabrication of connecting piping.
 - 3) For weight loadings and support requirements, refer to the suggested steel support drawing.
 - 4) The area above the fan discharge must not be obstructed.
 - 5) Field piping must not be supported by the unit inlet or outlet connections.



EASY PAD REMOVAL SYSTEM

Model Number	Shipping Weight	Operating Weight	Heaviest Section
TSDC2-SS-351-43.4	12056	13398	12056

ORDER NO:

DATE:



BALTIMORE AIRCOIL COMPANY

**TrilliumSeries™ Adiabatic Condenser
Fourteen Fan Unit Print**

DRAWING NUMBER: