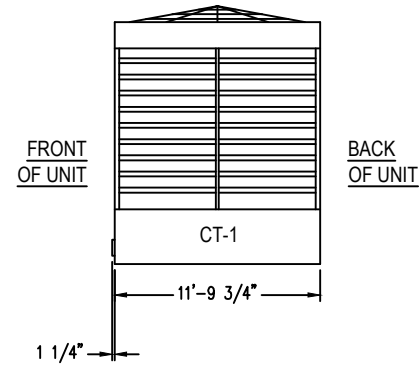


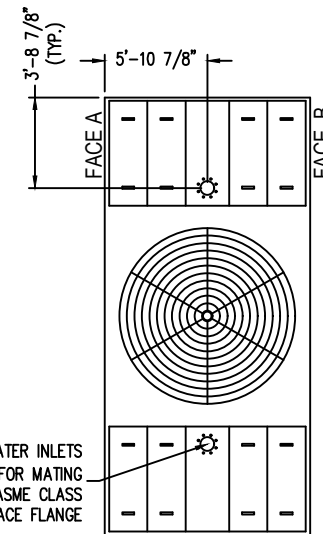
END ELEVATION (FACE A)



SIDE ELEVATION

Notes

- 1) Drawings are not to scale. All dimensions are in feet and inches. Weights are in pounds and include options and accessories.
- 2) Unless otherwise indicated, connections 3" and smaller are MPT. Connections 4" and larger are grooved to suit a mechanical coupling and beveled for welding.
- 3) Field piping should be fabricated at time of installation. Pre-fabrication of pipe work is not recommended.
- 4) Do not support piping from unit connections. All necessary piping supports to be supplied by others.
- 5) For weight loadings and support requirements, refer to the suggested unit support drawing.
- 6) The area above the fan discharge must be unobstructed.
- 7) Due to height limitations on truck shipments, some items shown may ship loose for field installation.
- 8) Outlet connections are sized for pump suction application at the design flow rate. They are based on the maximum flow rate through the strainer with basin water at standard operating level.



PLAN VIEW

STEEL LOUVERS
STEEL CASING PANELS

MODEL NO.	SHIPPING WEIGHT	OPERATING WEIGHT	HEAVIEST SECTION WEIGHT
S5E-1222-07L	14660	26740	14660
S5E-1222-07M	14680	26760	14680
S5E-1222-07N	14820	26900	14820
S5E-1222-07O	14870	26950	14870
S5E-1222-07P	15030	27110	15030
S5E-1222-07Q	15040	27120	15040

ORDER NO: _____

DATE: _____



BALTIMORE AIRCOIL COMPANY

**5000E Unit Print
One Piece Units**

DRAWING NUMBER:
UP-1222-07