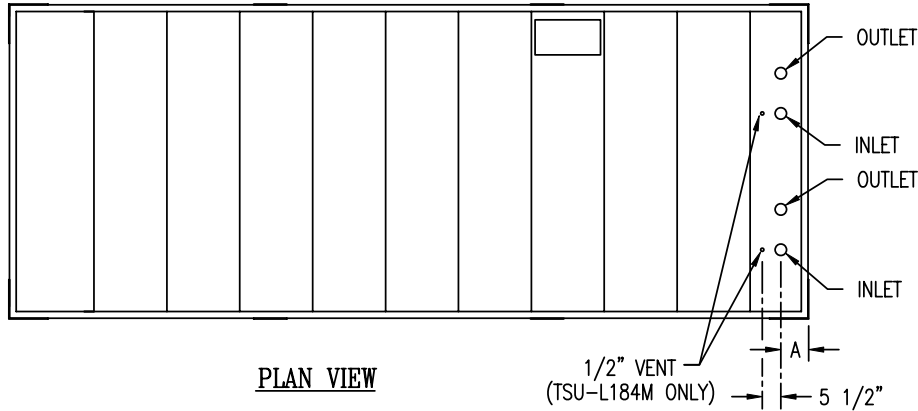


MODEL NO.	APPROX. SHIPPING WEIGHT	APPROX. OPERATING WEIGHT*	LATENT CAPACITY (T-H)	TANK VOLUME (GALLONS)	COIL VOLUME (GALLONS)	IN/OUT SIZE	DIMENSIONS					
							W	L	A	B	C	D
TSU-L184M	8300	31700	184	2330	205	2"	7'-10 3/8"	10'-7 5/8"	8 5/8"	15 1/4"	23 5/8"	16 5/8"
TSU-L370M	14100	59700	370	4560	385	3"	7'-10 3/8"	19'-10 1/4"	9 3/4"	15 1/4"	23 5/8"	16 5/8"
TSU-L462M	17000	75000	462	5820	477	3"	9'-9 1/4"	19'-10 1/4"	9 3/4"	23"	21 3/4"	27 3/4"
TSU-L592M	20300	91650	592	7140	602	3"	11'-9 3/4"	19'-10 1/4"	9 3/4"	27 1/8"	23 5/8"	40 1/4"

* OPERATING WEIGHT IS FOR UNIT WITH WATER LEVEL AT OVERFLOW LEVEL

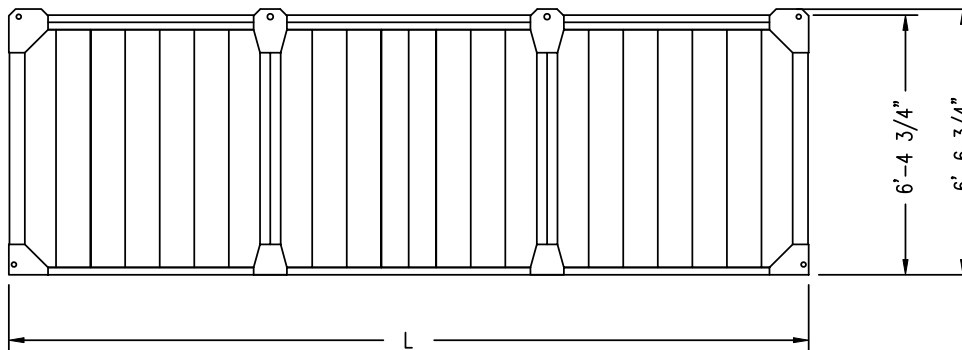
NOTES:

1. ALL DIMENSIONS ARE IN FEET AND INCHES. WEIGHTS ARE IN POUNDS.
2. DIMENSIONS LOCATING COIL CONNECTIONS ARE APPROXIMATE AND SUBJECT TO SOME VARIATION. THEY SHOULD NOT BE USED TO PREFABRICATE PIPE.
3. UNIT SHOULD BE CONTINUOUSLY SUPPORTED ON A FLAT LEVEL SURFACE.



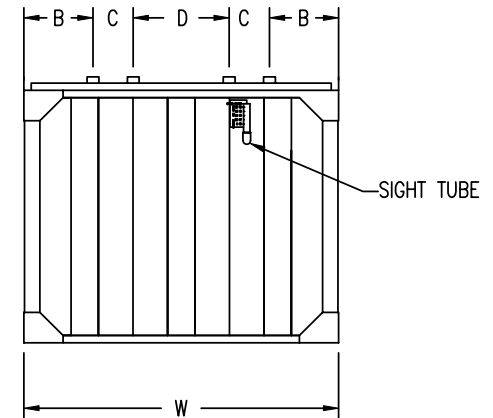
PLAN VIEW

ALL CONNECTIONS ARE GROOVED TO SUIT A MECHANICAL COUPLING. TO AVOID DAMAGE TO INSULATION AND TANK LINING NO WELDING IS PERMITTED AT THE TANK CONNECTIONS.



SIDE ELEVATION

MODEL TSU-L370M SHOWN
OTHER MODELS SIMILAR



END ELEVATION

B.A.C.
ORDER NO:
DATE:



BALTIMORE AIRCOIL
COMPANY

ICE CHILLER®
THERMAL STORAGE UNIT

DRAWING NUMBER:
BAC-10268 A

F