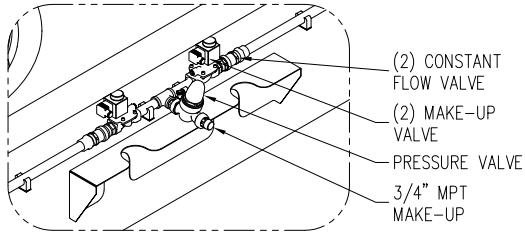
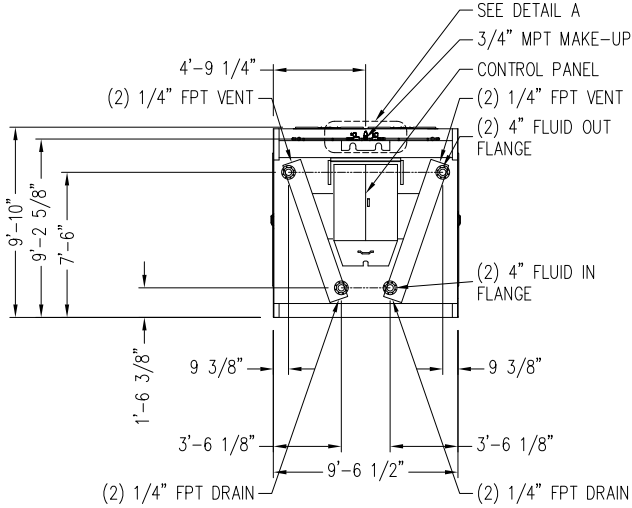
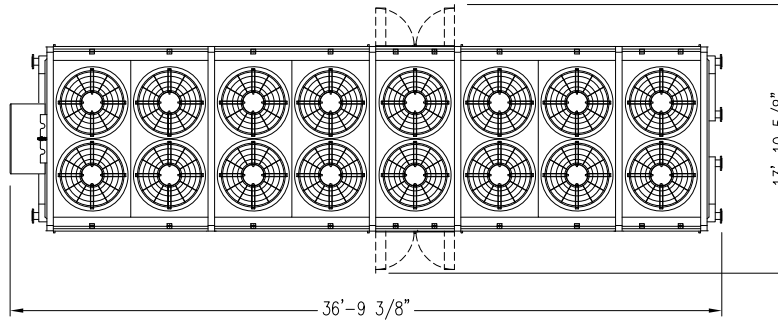


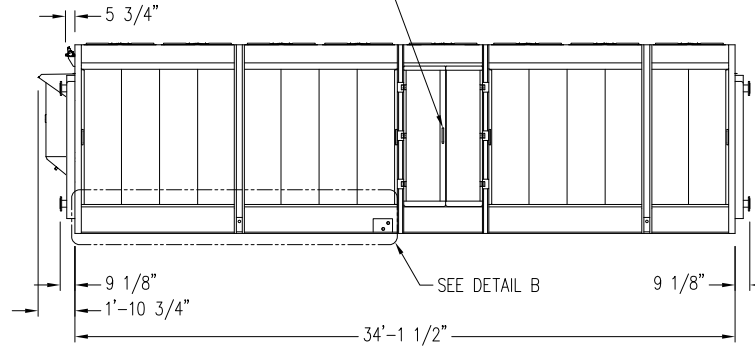
DETAIL A
(ISOMETRIC)



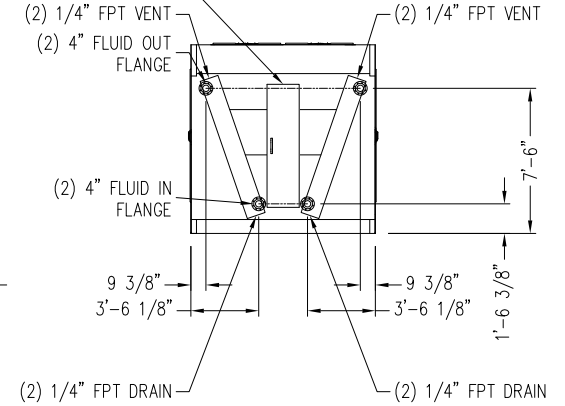
PLAN VIEW



BASIN ACCESS DOORS
(BOTH SIDES)

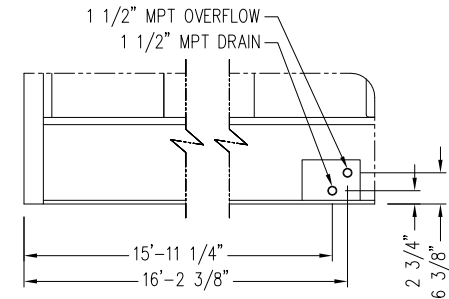


PLENUM ACCESS DOOR



NOTE: COIL CONNECTIONS ON BOTH ENDS OF UNIT.

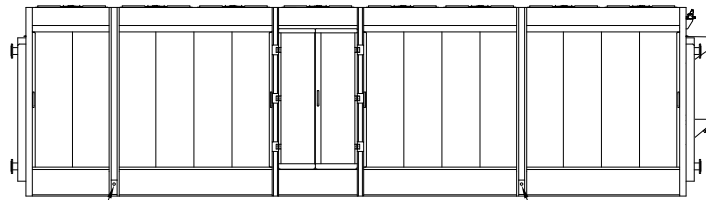
DETAIL B



Notes

- 1) All dimensions are in feet and inches. Weights are in pounds and include options and accessories.
- 2) Dimensions showing locations of coil & basin connections are approximate and should not be used for prefabrication of connecting piping.
- 3) For weight loadings and support requirements, refer to the suggested steel support drawing.
- 4) The area above the fan discharge must not be obstructed.
- 5) Field piping must not be supported by the unit inlet or outlet connections.

LIFTING POINT
(BOTH SIDES)



Model Number	Shipping Weight	Operating Weight	Heaviest Section
TRF-1034N-C80Gx68E	22884	27635	22884

ORDER NO:

DATE: **9/18/2023 4:39:04 PM ConfigVer=1**



BALTIMORE AIRCOIL COMPANY

TrilliumSeries™ Adiabatic Cooler
Sixteen Fan Unit Print

DRAWING NUMBER: