



PARTS MAP

Model: _____

Serial Number: _____

Notes:

Air Handling Section

- 1 Fan Guard
- 2 Fan Cowl
- 3 Axial Fan Assembly (see detailed view)
- 4 Davit Arm Assembly (optional)
- 5 Mechanical Access Door

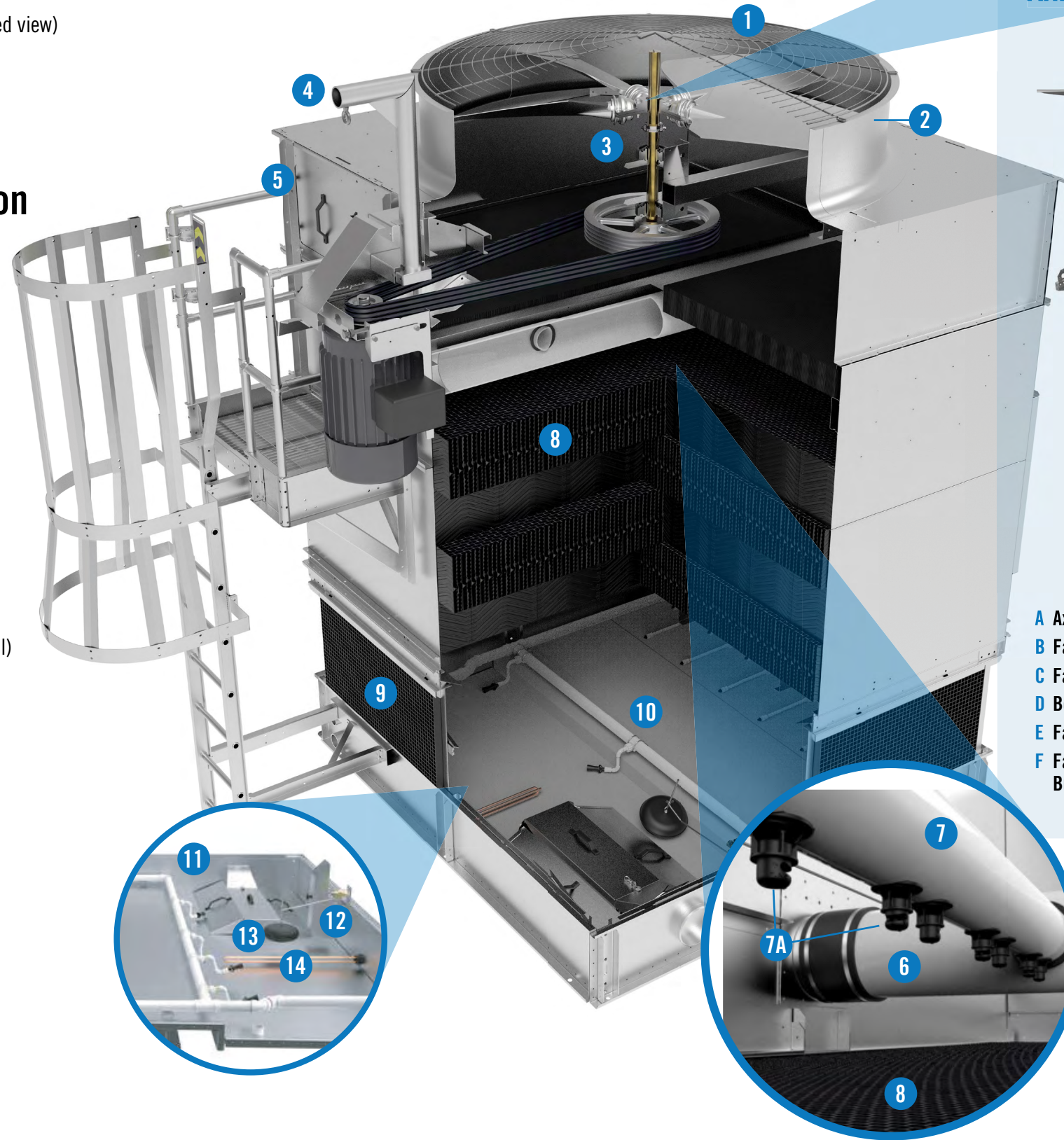
Heat Transfer Section

- 6 Spray Branch Heater
- 7 Spray Branch
- 7A CF Nozzles
- 8 BACpak™ Fill

Water Collection Section

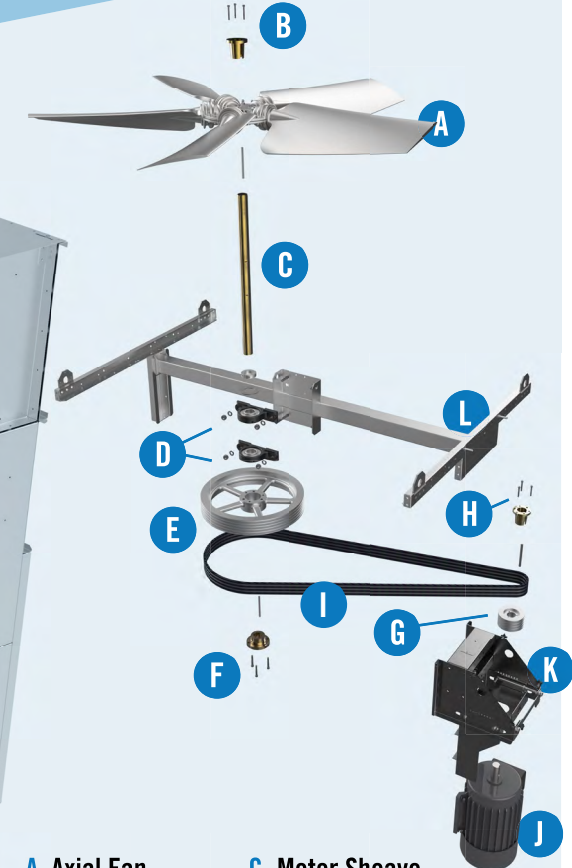
- 9 Inlet Louvers
- 10 Sump Sweeper Piping (optional)
- 11 Strainer Assembly
- 12 Make-up Valve Assembly
- 13 Float Ball
- 14 Basin Heater

PT2 Cooling Tower

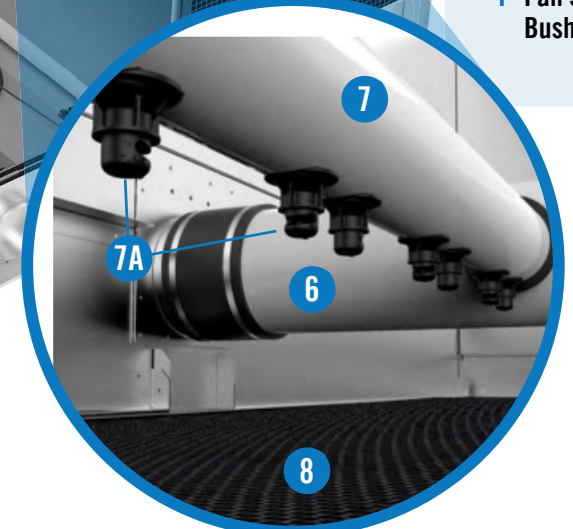
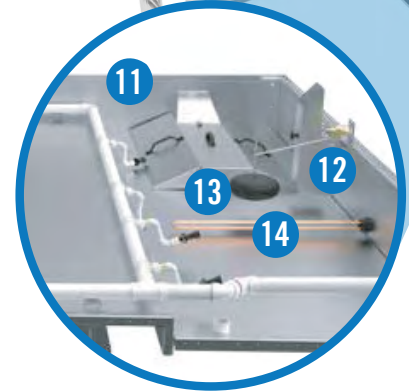


External Motor Configuration

Axial Fan Assembly



- A Axial Fan
- B Fan Bushing
- C Fan Shaft
- D Bearing Kits
- E Fan Sheave
- F Fan Sheave Bushing
- G Motor Sheave
- H Motor Sheave Bushing
- I Belt Set
- J Fan Motor
- K Motor Base & Adjustment Rod
- L Mechanical Equipment Support



Reduce Downtime
Spare Parts List (page 2)

Recommended Spare Parts

BAC Factory Authorized Parts are manufactured to meet rigorous specifications and are guaranteed to fit your unit and perform as original equipment.

BAC Factory Authorized Parts can be ordered through your local BAC Representative. Most BAC Representatives maintain a local inventory of commonly used parts. For a free unit inspection and a specific parts list for your serial number, contact your local BAC Representative today.

Even with BAC's fast delivery capability, it is still recommended that certain essential and emergency repair part be maintained in your inventory to minimize any potential downtime.



Find my BAC Rep to order parts, get maintenance tips, and get a free unit inspection: www.baltimoreaircoil.com/RepFinder



PT2 Cooling Tower

External Motor Configuration

Basic Recommended Spare Parts

Bearings

Bearing Greaser Refill (if equipped)

Belts

Basin Heater & LWCO (if equipped)

Door Gaskets

Float Valve Kit & Float Ball

Solenoid Valve (if unit is equipped with EWLC)

Spray Nozzles & Grommet Kit

Suction Strainer

Parts to Consider for Critical Applications

Prop Fans with Bushings

Fan Shaft

Sheaves and Bushings

Fan Motor



Scan to locate
your local BAC
Representative



PARTS MAP

Model: _____

Serial Number: _____

Notes:

Air Handling Section

- 1 Fan Guard
- 2 Fan Cowl
- 3 Axial Fan Assembly (see detailed view)
- 4 Davit Fan Assembly (optional)
- 5 Mechanical Access Door

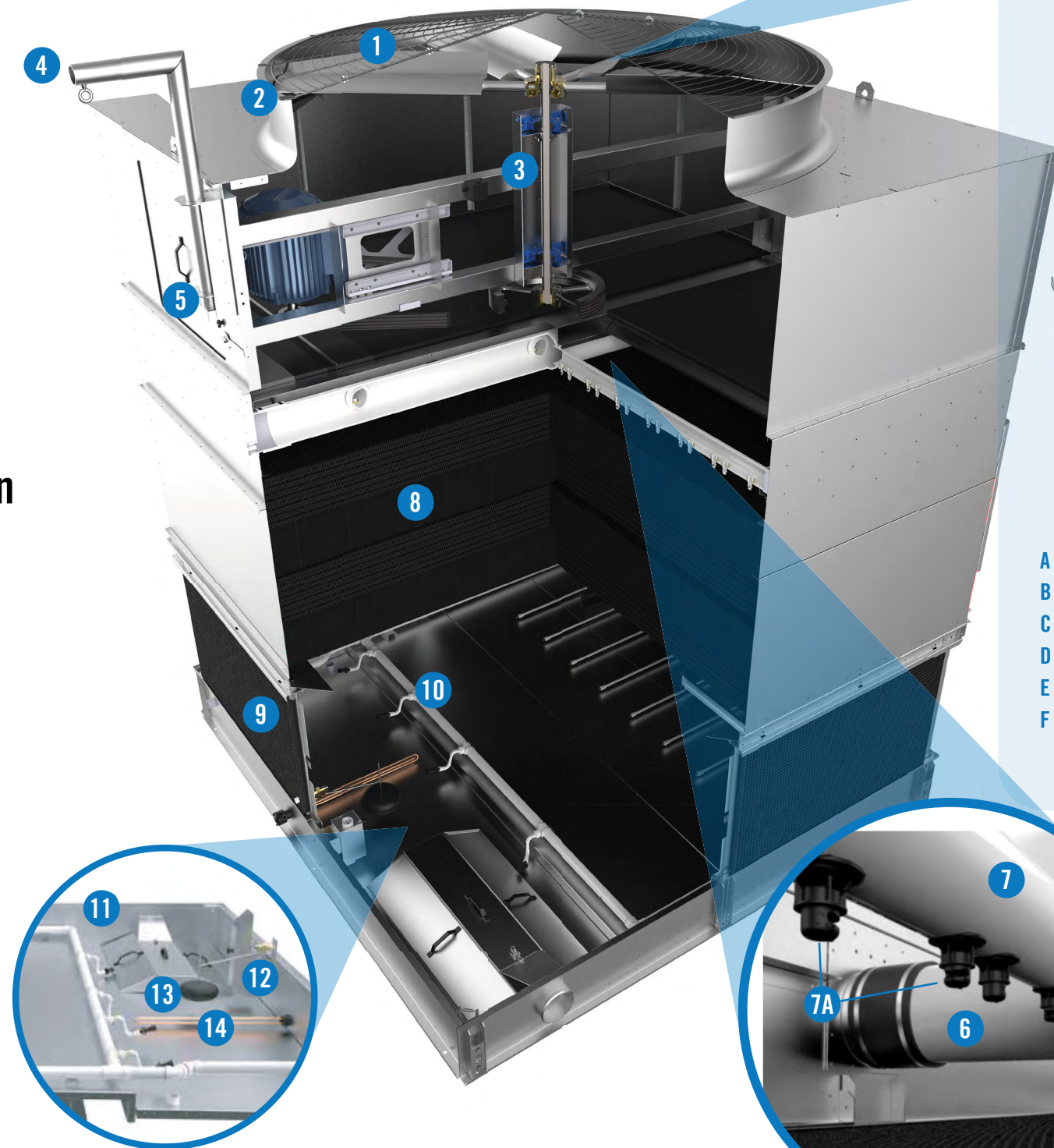
Air Handling Section

- 6 Spray Branch Heater
- 7 Spray Branch
- 7A CF Nozzles
- 8 BACPak™ Fill

Water Collection Section

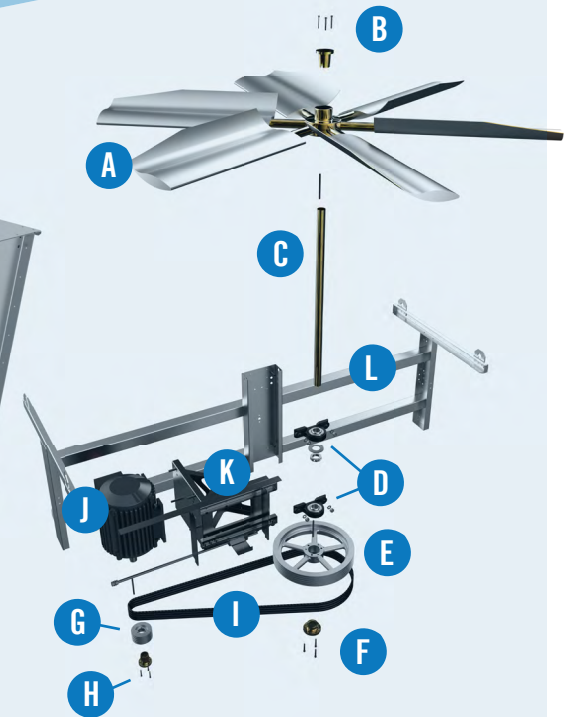
- 9 Inlet Louvers
- 10 Sump Sweeper Piping (optional)
- 11 Strainer Assembly
- 12 Make-up Valve Assembly
- 13 Float Ball
- 14 Basin Heater

PT2 Cooling Tower

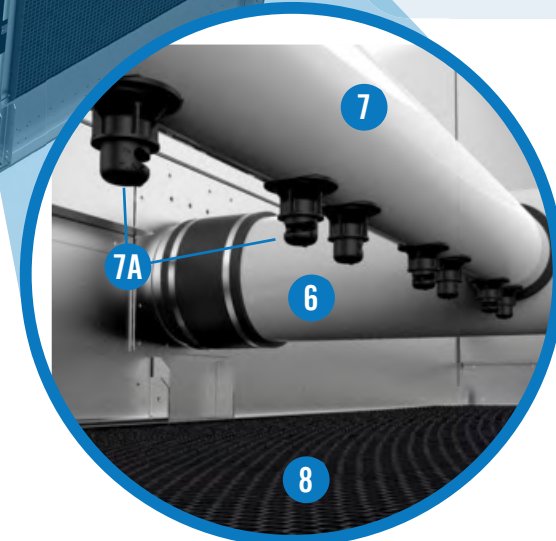
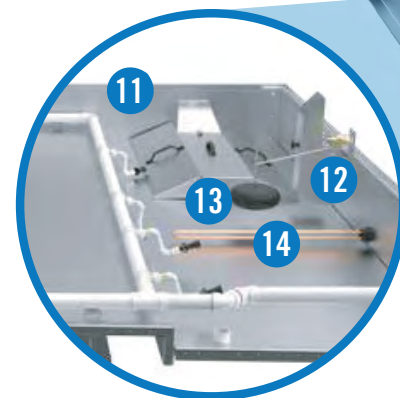


Internal Motor Configuration

Axial Fan Assembly



- | | |
|----------------------|--------------------------------|
| A Axial Fan | G Motor Sheave |
| B Fan Bushing | H Motor Sheave Bushing |
| C Fan Shaft | I Belt Set |
| D Bearing Kits | J Fan Motor |
| E Fan Sheave | K Motor Base & Adjustment Rod |
| F Fan Sheave Bushing | L Mechanical Equipment Support |



Reduce Downtime
Spare Parts List (page 2)

Recommended Spare Parts

BAC Factory Authorized Parts are manufactured to meet rigorous specifications and are guaranteed to fit your unit and perform as original equipment.

BAC Factory Authorized Parts can be ordered through your local BAC Representative. Most BAC Representatives maintain a local inventory of commonly used parts. For a free unit inspection and a specific parts list for your serial number, contact your local BAC Representative today.

Even with BAC's fast delivery capability, it is still recommended that certain essential and emergency repair part be maintained in your inventory to minimize any potential downtime.



Find my BAC Rep to order parts, get maintenance tips, and get a free unit inspection: www.baltimoreaircoil.com/RepFinder



PT2 Cooling Tower

Internal Motor Configuration

Basic Recommended Spare Parts

Bearings

Bearing Greaser Refill (if equipped)

Belts

Basin Heater & LWCO (if equipped)

Door Gaskets

Float Valve Kit & Float Ball

Solenoid Valve (if unit is equipped with EWLC)

Spray Nozzles & Grommet Kit

Suction Strainer

Parts to Consider for Critical Applications

Prop Fans with Bushings

Fan Shaft

Sheaves and Bushings

Fan Motor



Scan to locate
your local BAC
Representative