



# PARTS MAP

Model: \_\_\_\_\_

Serial Number: \_\_\_\_\_

Notes:

---



---



---



---



---



---



---



---



---



---

## Coil Module

- 1 Feed Box Assembly
- 2 Spray Branches
- 3 Spray Branch Header Grommets
- 4 Spray Branch Nozzle & Grommet
- 5 Coil Assembly  
\*\*The coil can only be replaced as a full coil module assembly
- 6 Drift Eliminators

## Lower Heat Transfer Section

- 7 Combined Inlet Shields
- 8 BACross II® Fill with Integral Drift Eliminators

## Fan Section

- 9 Fan Guard
- 10 Fan Cowl
- 11 Axial Fan Assembly *(see detailed view)*

## Pump and Pump Piping

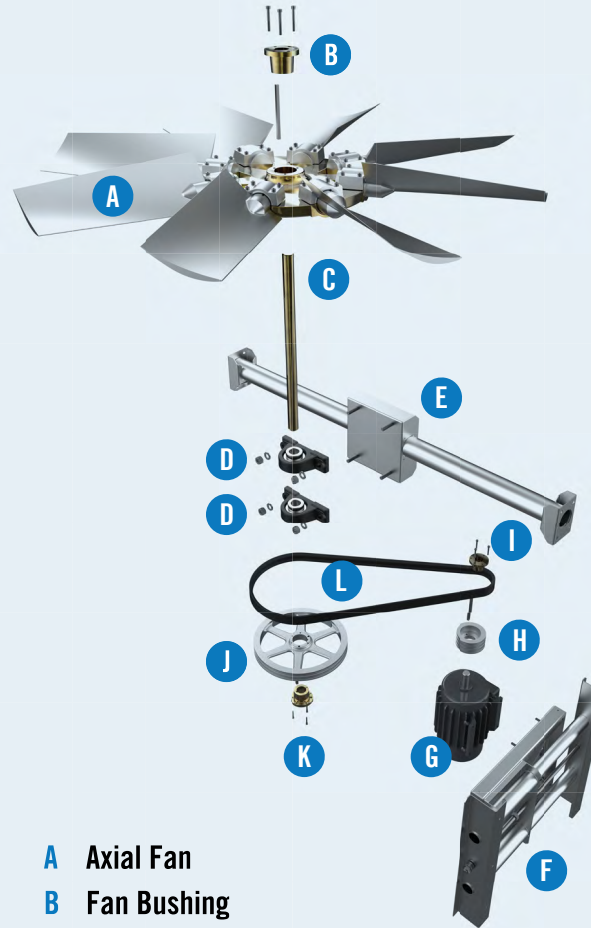
- 12 Pump Assembly
- 13 Lower Pump Piping Assembly
- 14 Coupling and Clamp
- 15 Upper Pump Piping Assembly

## Pan Section

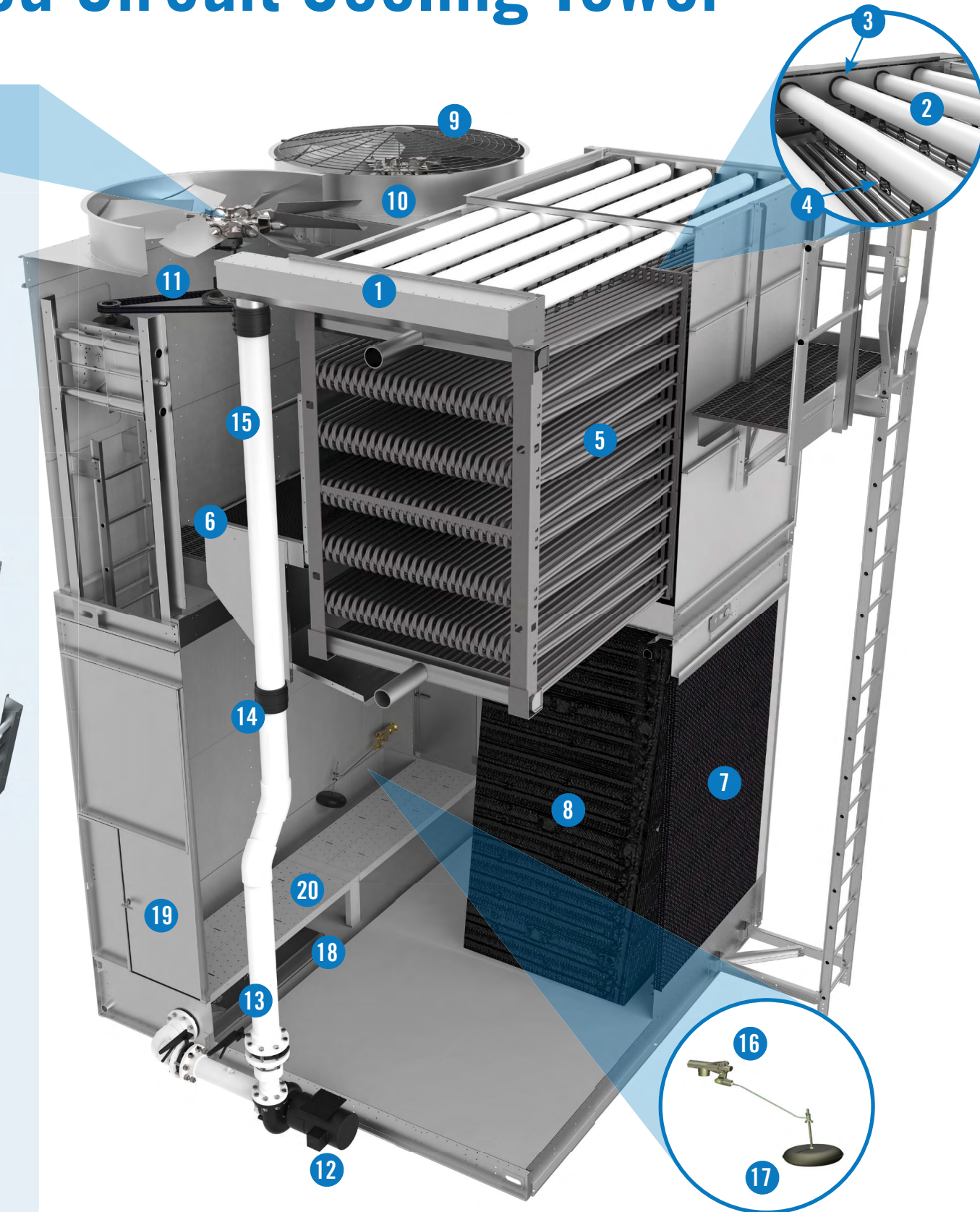
- 16 Make-Up Valve Assembly
- 17 Float Ball
- 18 Sump Strainer
- 19 Access Door
- 20 Internal Walkway

# FXV Closed Circuit Cooling Tower

## Axial Fan Assembly



- A Axial Fan
- B Fan Bushing
- C Fan Shaft
- D Bearing Kit
- E Mechanical Equipment Support
- F Motor Base and Adjustment Rod
- G Fan Motor
- H Motor Sheave
- I Motor Sheave Bushing
- J Fan Sheave
- K Fan Sheave Bushing
- L Belt Set



**Reduce Downtime**  
Spare Parts List (page 2)

# Recommended Spare Parts

**BAC Factory Authorized Parts** are manufactured to meet rigorous specifications and are guaranteed to fit your unit and perform as original equipment.

BAC Factory Authorized Parts can be ordered through your local BAC Representative. Most BAC Representatives maintain a local inventory of commonly used parts. For a free unit inspection and a specific parts list for your serial number, contact your local BAC Representative today.

Even with BAC's fast delivery capability, it is still recommended that certain essential and emergency repair part be maintained in your inventory to minimize any potential downtime.



Find my BAC Rep to order parts, get maintenance tips, and get a free unit inspection: [www.baltimoreaircoil.com/RepFinder](http://www.baltimoreaircoil.com/RepFinder)



# FXV

## Closed Circuit Cooling Tower

### Basic Recommended Spare Parts

**Bearings**

**Bearing Greaser Refill** (if equipped)

**Belts**

**Basin Heater & LWCO** (if equipped)

**Float Valve Kit & Float Ball**

**Solenoid Valve** (if unit is equipped with EWLC)

**Spray Nozzles & Grommet Kit**

**Suction Strainer**

**Pump Seal Kit**

### Parts to Consider for Critical Applications

**Prop Fans with Bushings**

**Fan Shaft**

**Sheaves and Bushings**

**Fan Motor**

**Spray Pump**



Scan to locate your local BAC Representative