



PARTS MAP

Model: _____

Serial Number: _____

Notes:

VCA Evaporative Condenser

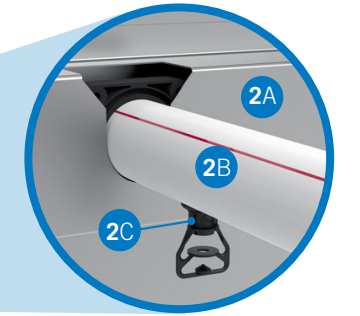
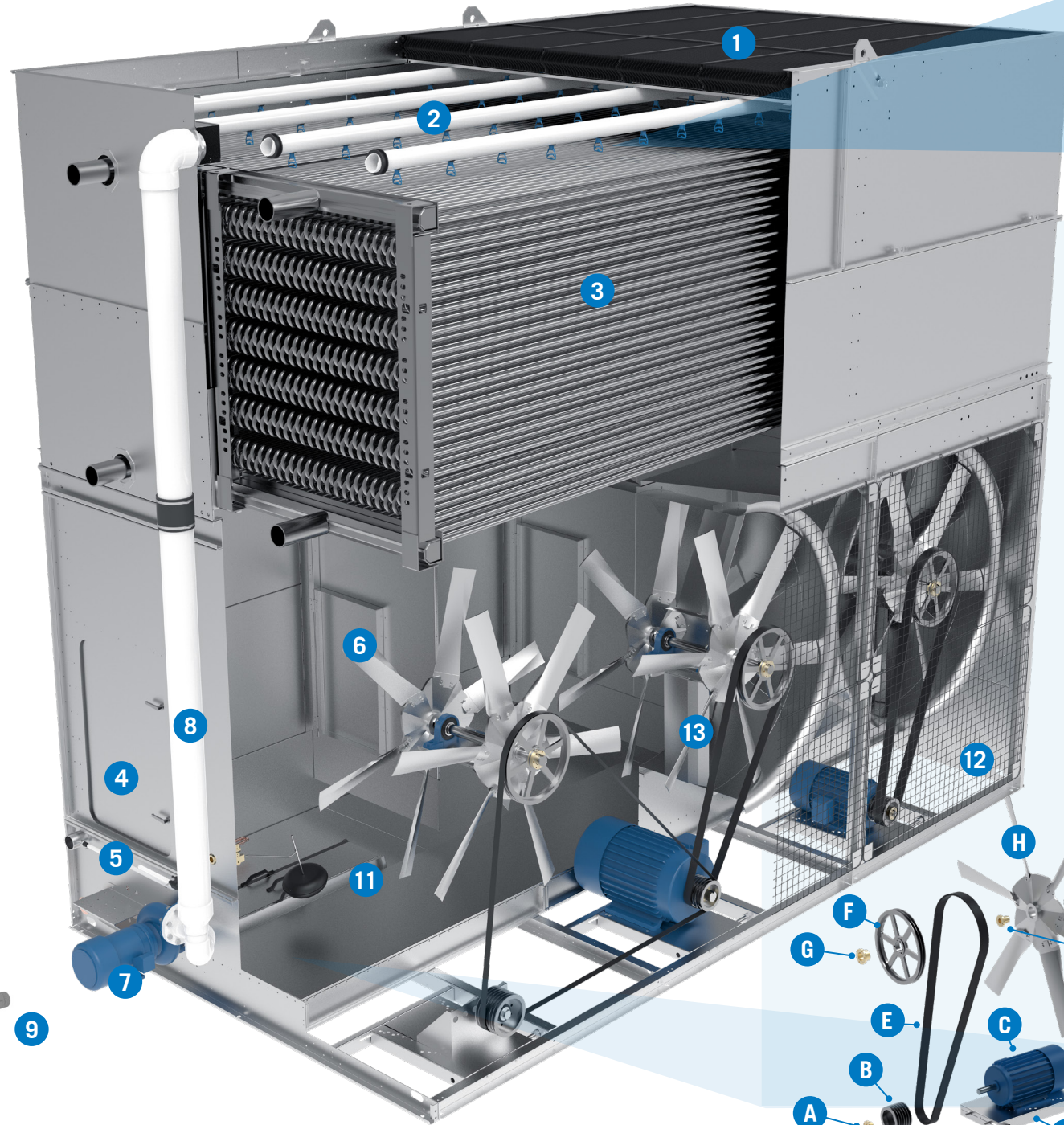
Side Blow Configuration shown

Upper Casing Section

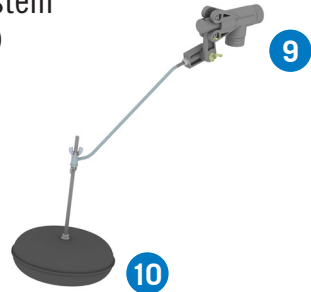
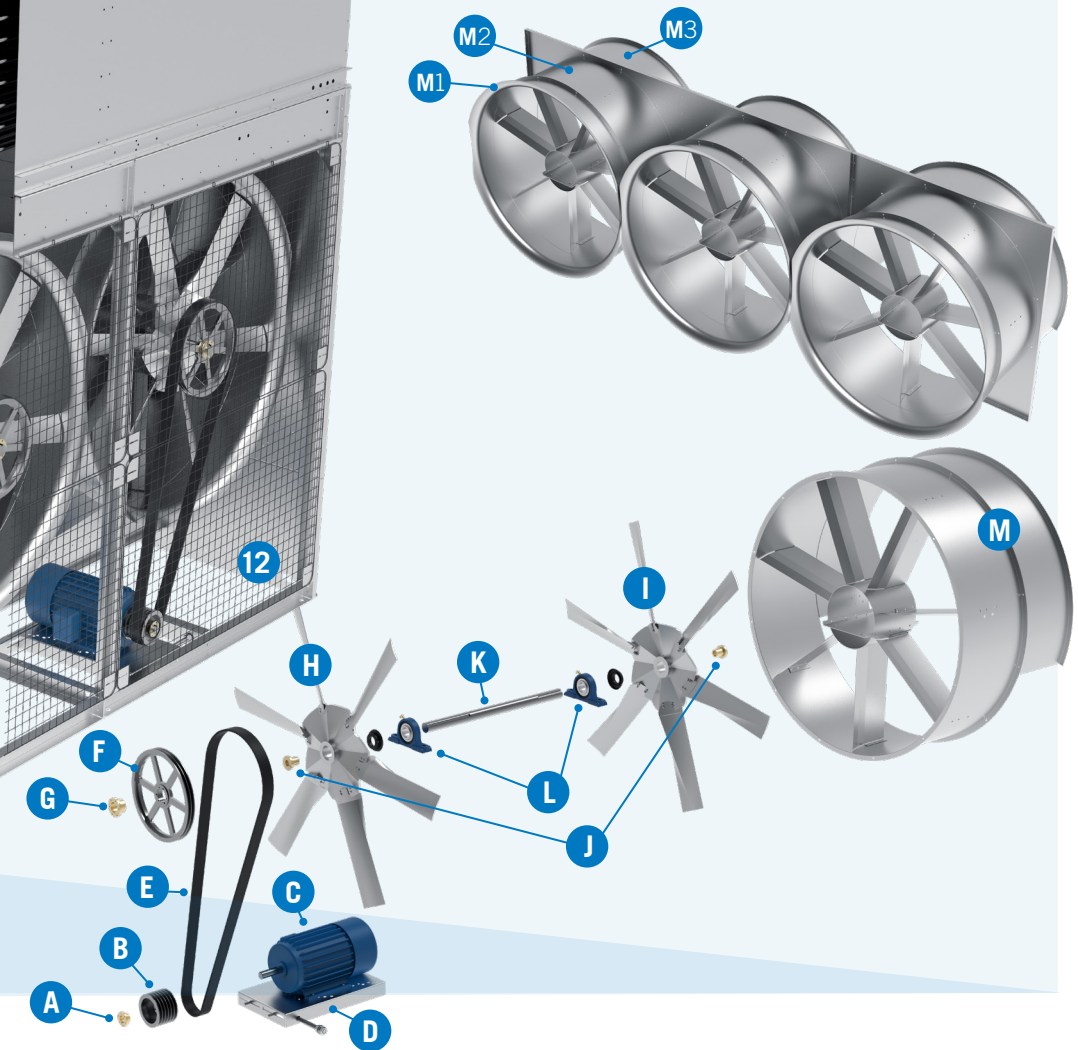
- 1 Drift Eliminators
- 2 BranchLok™ Removal System
 - A Feed Box Assembly
 - B Spray Branch
 - C Nozzles
- 3 Coil

Lower Pan Section

- 4 Access Door with Step
- 5 Water Bleedline
- 6 Partition Door
- 7 Pump
- 8 Pump Riser Piping
- 9 Make-Up Valve Assembly
- 10 Float Ball
- 11 Strainer Assembly
- 12 Air Inlet Screens
- 13 Two Stage Axial Fan Drive System
(See detailed view)



Two Stage Axial Fan Drive System



Reduce Downtime
Spare Parts List (page 2)

- | | | | |
|------------------------|-------------------------|----------------------------|--------------------------|
| A Motor Sheave Bushing | E Belt Set | I Fan Assembly - Discharge | M Cylinder with Vane Kit |
| B Motor Sheave | F Fan Sheave | J Fan Bushing | M1. Inlet Cylinders |
| C Motor | G Fan Sheave Bushing | K Fan Shaft | M2. Cylinder with Vanes |
| D Motor Base Kit | H Fan Assembly - Supply | L Bearing Kit | M3. 3/4 Cylinder |

©2022 Baltimore Aircoil Company PMVCAECSB/20220128

Quantities may vary according to the unit. Applicable 2008-present.

Recommended Spare Parts

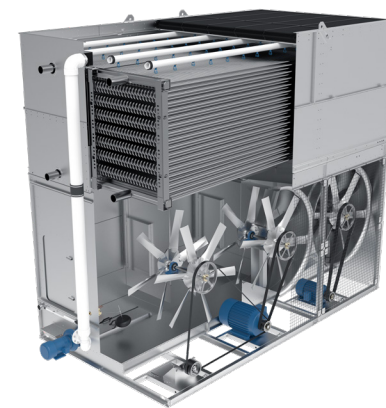
BAC Factory Authorized Parts are manufactured to meet rigorous specifications and are guaranteed to fit your unit and perform as original equipment.

BAC Factory Authorized Parts can be ordered through your local BAC Representative. Most BAC Representatives maintain a local inventory of commonly used parts. For a free unit inspection and a specific parts list for your serial number, contact your local BAC Representative today.

Even with BAC's fast delivery capability, it is still recommended that certain essential and emergency repair part be maintained in your inventory to minimize any potential downtime.



Find my BAC Rep to order parts, get maintenance tips, and get a free unit inspection: www.baltimoreaircoil.com/RepFinder



VCA Evaporative Condenser

Side Blow Configuration shown

Basic Recommended Spare Parts

- Bearing Set**
- Basin Heater & LWCO** (if equipped)
- Float Valve Kit & Float Ball**
- Solenoid Valve** (if unit equipped with EWLC)
- Belt Set**
- Spray Nozzles**
- Suction Strainer**
- Door Gasket**
- Sheave and Bushing Sets**
- Pump Seal Kit**
- Automatic Bearing Greaser Refill Kit** (if equipped)

Parts to Consider if Extended Downtime is a Concern

- Fan Motor**
- Pump**
- Fan Assemblies**



Scan to locate your local BAC Representative