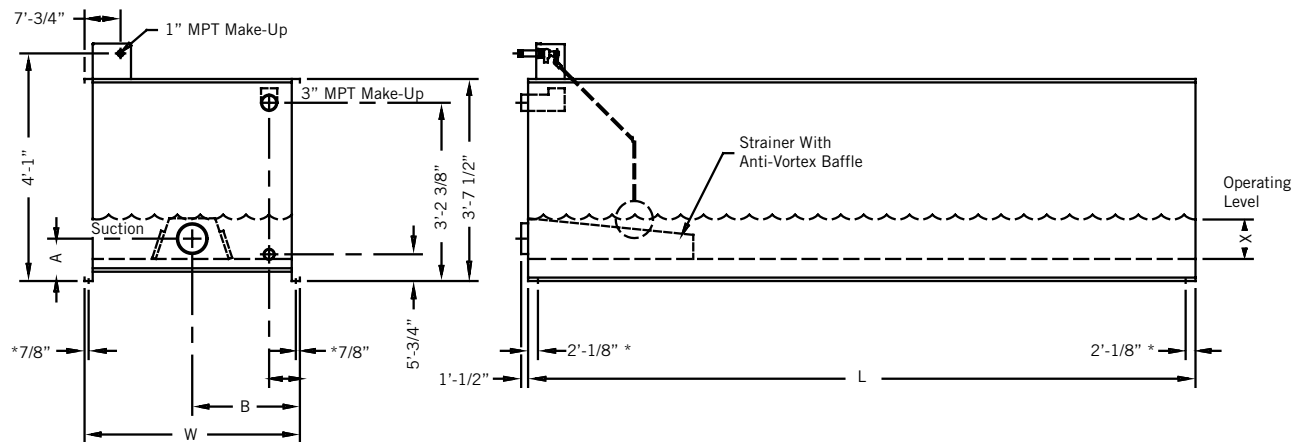


Remote Sump Tanks Engineering Data



Model Number	Shipping Weights (lbs)	Maximum Weight (lbs) ⁽¹⁾	Maximum Storage Volume (gal)	"X" Minimum Operating Level ⁽²⁾	Net Available Volume (gal)	Dimensions				Suction MPT
						W	L	A	B	
RS 94	240	1,070	94	8 1/2"	72	1'-11"	3'-1"	8"	1'	4"
RS 212	350	2,220	212	8 1/2"	163	3'-11"	3'-1"	8"	2'	4"
RS 335	470	3,410	335	8 1/2"	257	3'-11"	4'-7"	8"	2'	4"
RS 457	610	4,630	457	8 1/2"	351	3'-11"	6'-0"	10"	2'	6"
RS 702	800	6,970	702	8 1/2"	539	3'-11"	9'	10"	2'	6"
RS 946	1,030	9,340	946	8 1/2"	727	3'-11"	12'	10"	2'	6"
RS 1390	1,260	13,470	1,390	8 1/2"	1,068	5'-7"	12'	10"	2'-10"	6"



NOTES:

1. Maximum weight is for tank filled with water to spill-out.
2. Minimum operating level "X" is measured from inside bottom of tank.

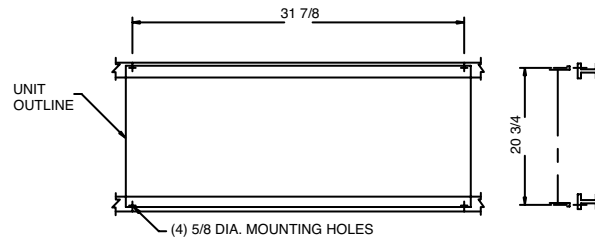
Do not use for construction. Refer to factory certified dimensions. This catalog includes data current at the time of publication, which should be reconfirmed at the time of purchase. Up-to-date engineering data, free product selection software, and more can be found at BaltimoreAircoil.com.

Remote Sump Tanks

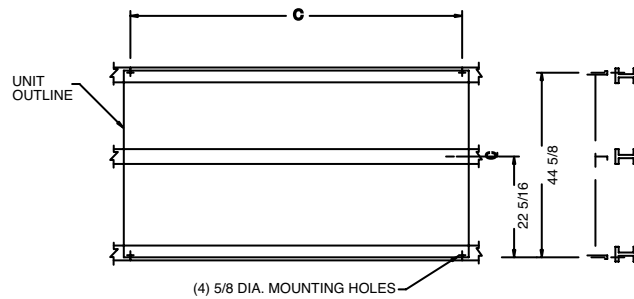
Structural Support

The recommended support arrangement for the RS Remote Sump Tank consists of parallel structural members running the full length of the unit, spaced as shown in the following drawings. In addition to providing adequate support, the members also serve to raise the unit above any solid foundation to assure access to the bottom of the unit. To support a RS Remote Sump Tank in an alternate support arrangement, consult your local BAC Representative.

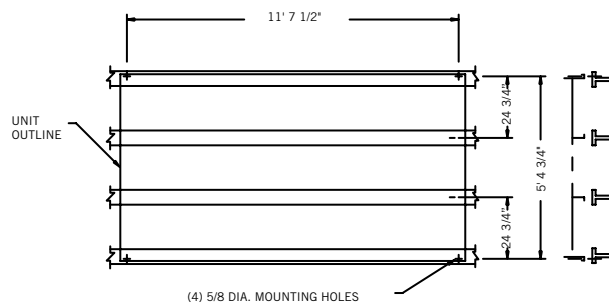
Model Number	C
RS 94	—
RS 212	2'-8"
RS 335	4'-2"
RS 457	5'-8"
RS 702	8'-8"
RS 946	11'-8"
RS 1390	—



RS-94



RS-212 thru 946



RS-1390



NOTES:

1. Support members and anchor bolts shall be designed, furnished, and installed by others.
2. Design of support members and anchor bolts shall be in accordance with the strength and serviceability requirements of the applicable building code and project specifications.
3. Support members shall be level at the top.
4. Refer to the certified unit support drawing for loading and additional support requirements.