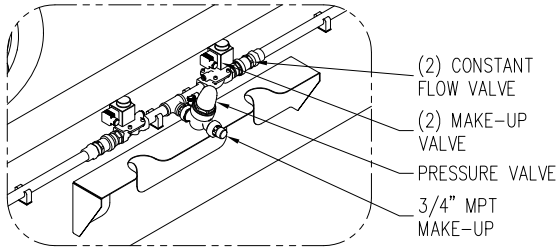
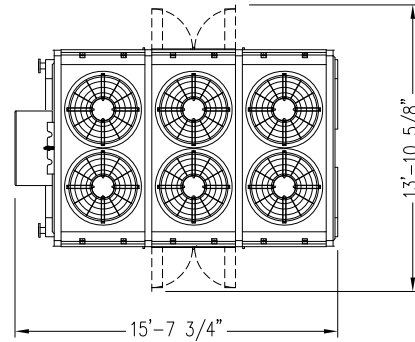


DETAIL A
(ISOMETRIC)

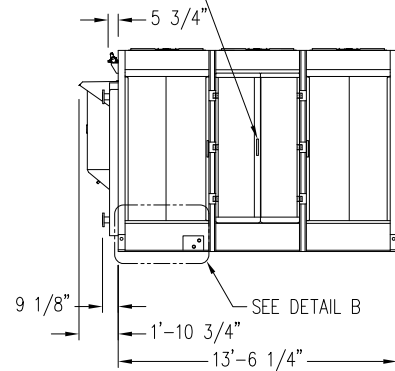


- (2) CONSTANT FLOW VALVE
- (2) MAKE-UP VALVE
- PRESSURE VALVE
- 3/4" MPT MAKE-UP

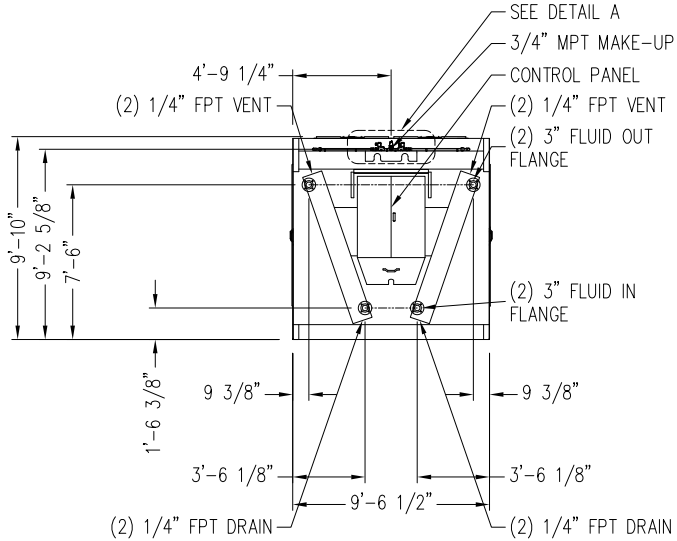
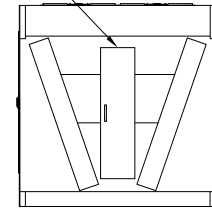
PLAN VIEW



BASIN ACCESS DOORS
(BOTH SIDES)

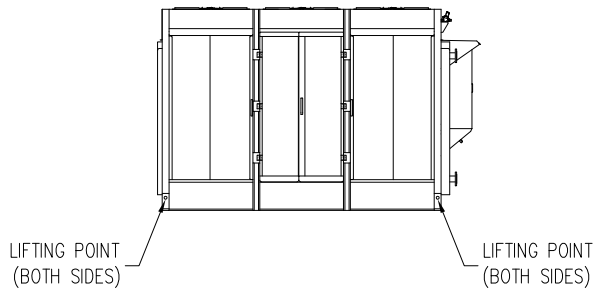


PLENUM ACCESS DOOR



- SEE DETAIL A
- 3/4" MPT MAKE-UP
- CONTROL PANEL
- (2) 1/4" FPT VENT
- (2) 3" FLUID OUT FLANGE
- (2) 3" FLUID IN FLANGE

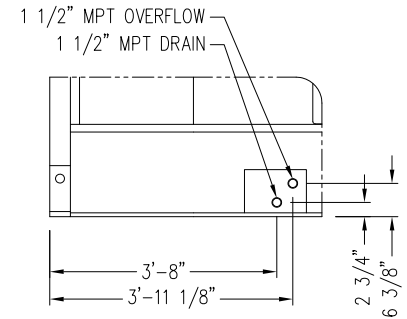
- SEE DETAIL B



LIFTING POINT
(BOTH SIDES)

LIFTING POINT
(BOTH SIDES)

DETAIL B



Notes

- 1) All dimensions are in feet and inches. Weights are in pounds and include options and accessories.
- 2) Dimensions showing locations of coil & basin connections are approximate and should not be used for prefabrication of connecting piping.
- 3) For weight loadings and support requirements, refer to the suggested steel support drawing.
- 4) The area above the fan discharge must not be obstructed.
- 5) Field piping must not be supported by the unit inlet or outlet connections.

Model Number	Shipping Weight	Operating Weight	Heaviest Section
TRF-1014N-C80Gx26E	10516	12346	10516

ORDER NO:

DATE: **9/18/2023 4:32:29 PM ConfigVer=1**



BALTIMORE AIRCOIL COMPANY

**TrilliumSeries™ Adiabatic Cooler
Six Fan Unit Print**

DRAWING NUMBER: