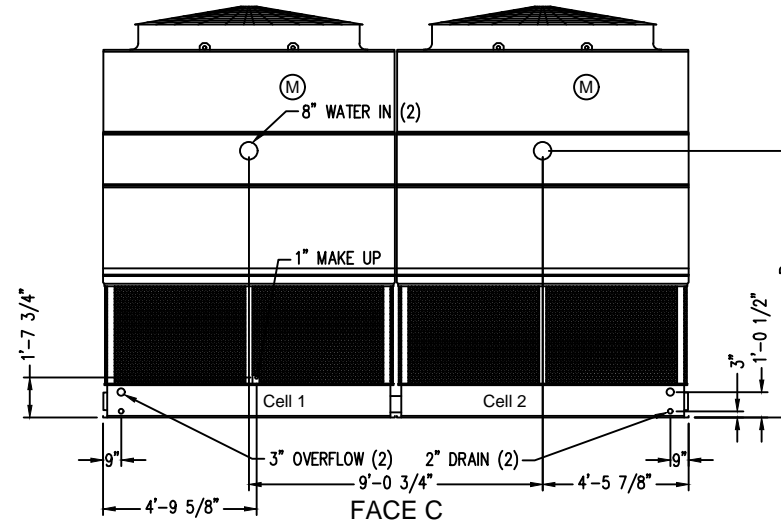


Notes

- 1) Unless otherwise indicated, connections 3" and smaller are NPT. Connections 4" and larger are grooved to suit a mechanical coupling and beveled for welding.
- 2) All dimensions are in feet and inches. Weights are in pounds and include options and accessories.
- 3) For weight loadings and support requirements, refer to the suggested steel support drawing.
- 4) The area above the fan discharge must be unobstructed.
- 5) Piping must not be supported by the tower inlet or outlet connections.
- 6) Unit weights include selected accessories.
- 7) M = Motor location.

Model Number	Shipping Weight	Operating Weight	Heaviest Section	"H"	"B"	"D"	"L"
PT2-1009A-1x2	8780	15670	3320	14'-0 1/4"	8'-2 1/4"	8'-4"	5'-1 3/8"
PT2-1009A-2x2	9520	16410	3670	15'-0 1/4"	9'-2 1/4"	9'-4"	5'-1 3/8"
PT2-1009A-3x2	10200	17090	3990	16'-0 1/4"	10'-2 1/4"	10'-4"	5'-1 3/8"
PT2-1009A-4x2	10680	18640	3990	17'-9 1/4"	11'-11 1/4"	10'-4"	6'-10 3/8"
PT2-1009A-5x2	11240	19210	4270	18'-9 1/4"	12'-11 1/4"	11'-4"	6'-10 3/8"



ORDER NO:

DATE:



**BALTIMORE
AIRCOIL COMPANY**

**PT2 Two Cell Unit Print
Internal Belt Drive**

DRAWING NUMBER:
GEN-PT2-1009A 2-CELL