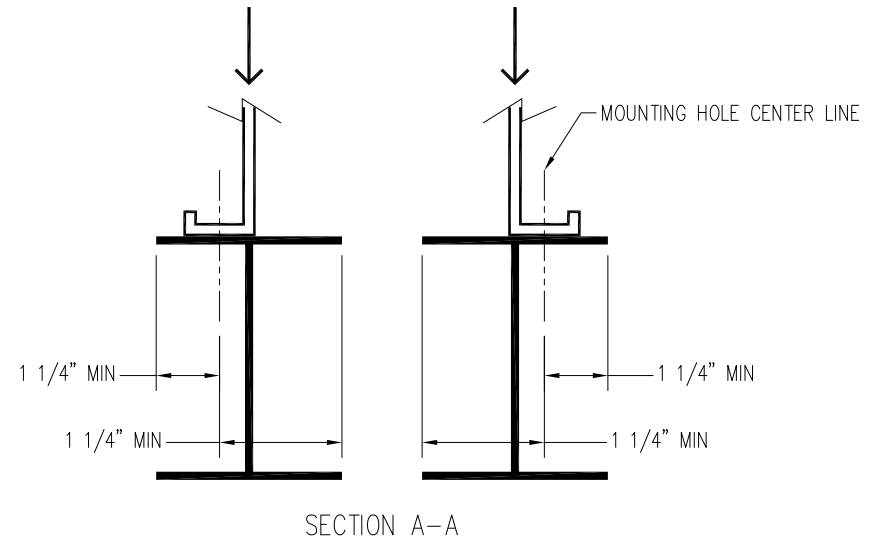


- Notes
- 1) Drawings are not to scale.
  - 2) All dimensions are in feet and inches. Weights are in pounds and include options and accessories.
  - 3) Operating weight and weight loading are for units with water level in cold water basin at overflow.
  - 4) Unit support beams and anchor bolts to be designed and furnished by others. Minimum dimensions shown in Section A-A are provided only to ensure proper support of unit.
  - 5) Support beams must be flush and level at top.
  - 6) Support beams are not limited to an I-beam shape.
  - 7) Each beam should be designed, as a minimum, for 65% of the total unit operating weight applied as a uniformly distributed load.
  - 8) If vibration isolators are used, they should be installed under the support beams and should never have direct contact with the unit.



MODEL NUMBER	APPROX. SHIPPING WEIGHT	APPROX. OPERATING WEIGHT
VRC-0934B-1236N-HB	37,550	51,790
VRC-1032B-1236N-JB	37,550	51,790
VRC-1020B-1236N-HB	40,860	55,420
VRC-1127B-1236N-JB	40,860	55,420
VRC-1111B-1236N-HB	46,290	61,190
VRC-1227B-1236N-JB	46,290	61,190
VRC-1198B-1236N-HB	49,200	64,380
VRC-1324B-1236N-JB	49,200	64,380

ORDER NO:

DATE:



**BALTIMORE  
AIRCOIL COMPANY**

**Vertex™ Evaporative Condenser  
12x36 Two Cell Unit Support**

DRAWING NUMBER: