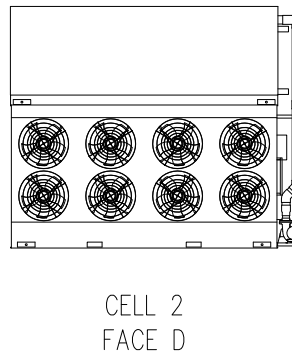
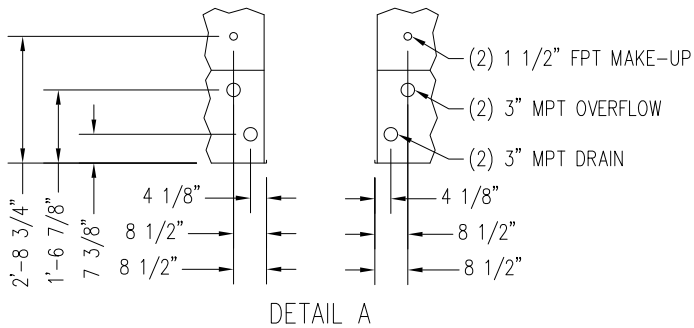
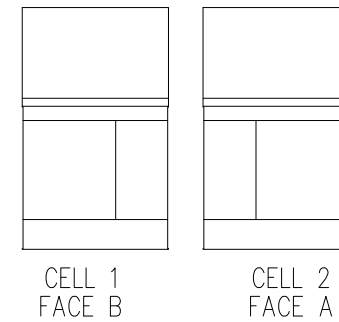
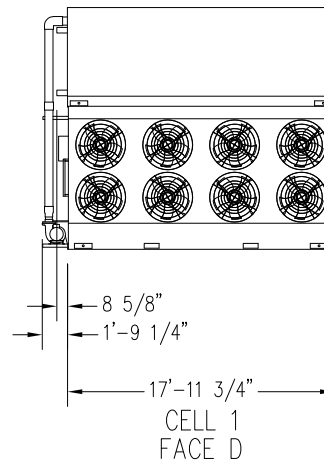
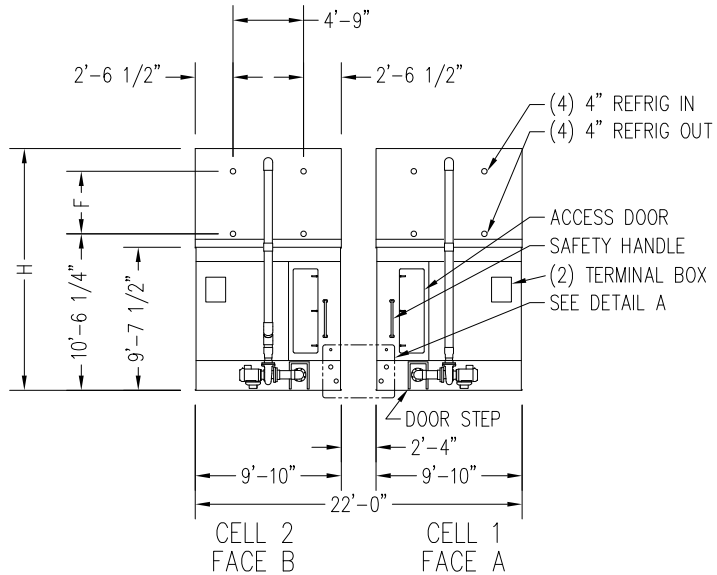
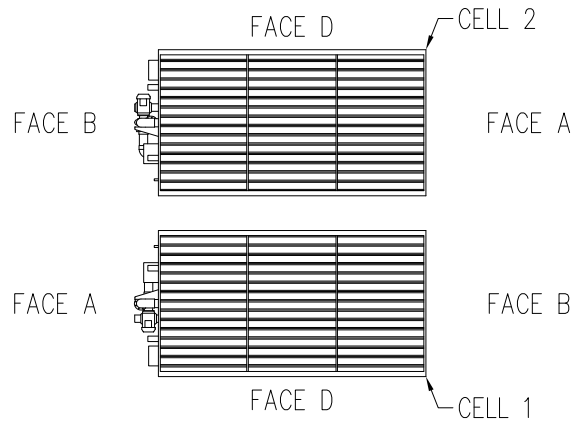


Notes

- 1) Drawings are not to scale.
- 2) Dimensions are in feet and inches. Weights are in pounds and include options and accessories.
- 3) Unless otherwise indicated, connections 3" and smaller are MPT.
- 4) Dimensions showing location of coil & basin connections are approximate and should not be used for prefabrication of connecting piping.
- 5) For weight loadings and support requirements, refer to suggested steel support drawing.
- 6) Area above the air discharge must be unobstructed.
- 7) Field piping must not be supported by the unit inlet or outlet connections.



MODEL NUMBER	APPROX. SHIPPING WEIGHT	APPROX. OPERATING WEIGHT	HEAVIEST SECTION (COIL)	F	H
VRC-0798B-2018N-HB	32,790	45,560	9,340	3'-7"	15'-8"
VRC-0871B-2018N-HB	35,480	48,510	10,680	3'-7"	15'-8"
VRC-0882B-2018N-JB	32,790	45,560	9,340	3'-7"	15'-8"
VRC-0952B-2018N-HB	40,170	53,470	13,030	4'-10"	16'-11"
VRC-0963B-2018N-JB	35,480	48,510	10,680	3'-7"	15'-8"
VRC-1023B-2018N-HB	42,470	55,990	14,170	4'-10"	16'-11"
VRC-1052B-2018N-JB	40,170	53,470	13,030	4'-10"	16'-11"
VRC-1131B-2018N-JB	42,470	55,990	14,170	4'-10"	16'-11"

Right & Left Hand Unit

ORDER NO:

DATE:



**BALTIMORE AIRCOIL COMPANY**

**Vertex™ Evaporative Condenser  
20x18 Two Cell Unit Print**

DRAWING NUMBER: