

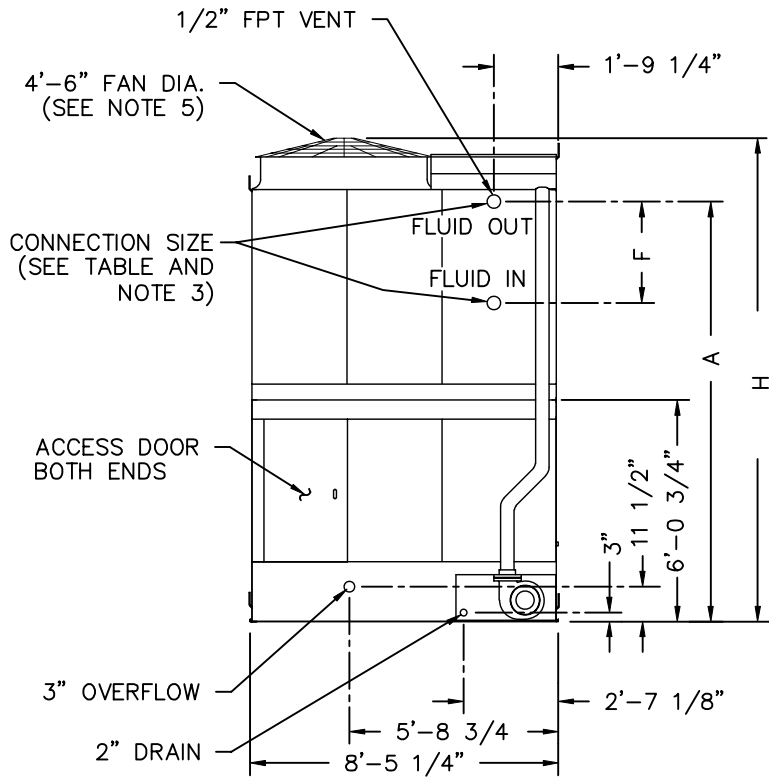
PLAN VIEW

DIMENSION H	
FAN OPTION	H
STD FAN & LOW SOUND FAN	13'-2 3/4"
WHISPER QUIET FAN	13'- 8 1/4"

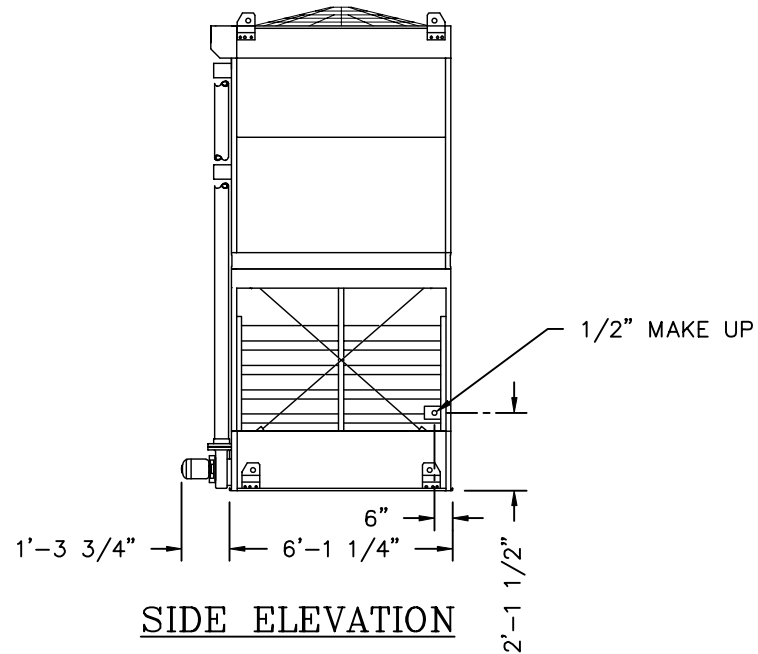
MODEL NUMBER	SHIPPING WEIGHT	OPERATING WEIGHT	HEAVIEST SECTION (UPPER)	CONNECTION SIZE	A	F
FXV- 421	5050	7730	2900	4"	11'-6"	24"
FXV- 422	5370	8190	3220	4"	11'-6"	33 1/4"
FXV- 423	5710	8680	3560	4"	11'-6"	42 1/2"
FXV- 424	6050	9160	3900	4"	11'-6"	51 3/4"

NOTES:

1. ALL DIMENSIONS ARE IN FEET AND INCHES. WEIGHTS ARE IN POUNDS.
2. DIMENSIONS SHOWING LOCATION OF COIL CONNECTIONS ARE APPROXIMATE AND SHOULD NOT BE USED FOR PREFABRICATION OF CONNECTING PIPING.
3. COIL CONNECTIONS ARE IPS BEVELLED FOR WELDING.
4. CONNECTIONS 3" & SMALLER ARE MPT.
5. THE AREA ABOVE THE DISCHARGE OF THE FAN MUST BE UNOBSTRUCTED.
6. FOR WEIGHT LOADING AND SUPPORT REQUIREMENTS REFER TO THE SUGGESTED STEEL SUPPORT DRAWING.



END ELEVATION



SIDE ELEVATION

(RH UNIT)

B.A.C.
ORDER NO:

DATE:



BALTIMORE AIRCOIL
COMPANY

SERIES 1500
FLUID COOLER

DRAWING NUMBER:
BAC-17090A

B