

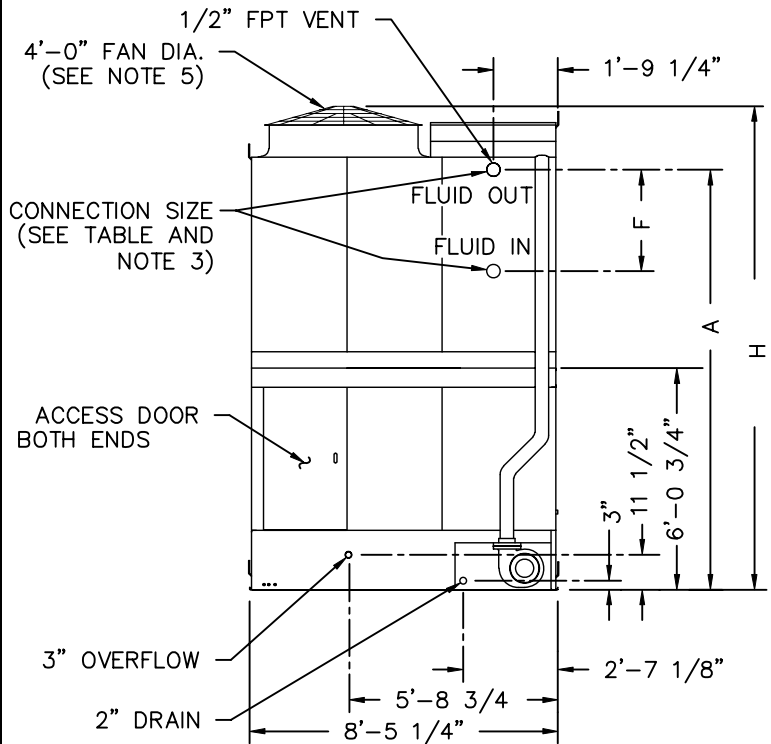
DIMENSION H	
FAN OPTION	H
STD FAN & LOW SOUND FAN	13'-2 3/4"
WHISPER QUIET FAN	13'- 8 1/4"

MODEL NUMBER	SHIPPING WEIGHT	OPERATING WEIGHT	HEAVIEST SECTION (UPPER)	CONNECTION SIZE	A	F
FXV- 431	7160	11,230	4240	4"	11'-6"	24"
FXV- 432	7650	11,930	4730	4"	11'-6"	33 1/4"
FXV- 433	8140	12,630	5220	4"	11'-6"	42 1/2"
FXV- 434	8680	13,380	5760	4"	11'-6"	51 3/4"

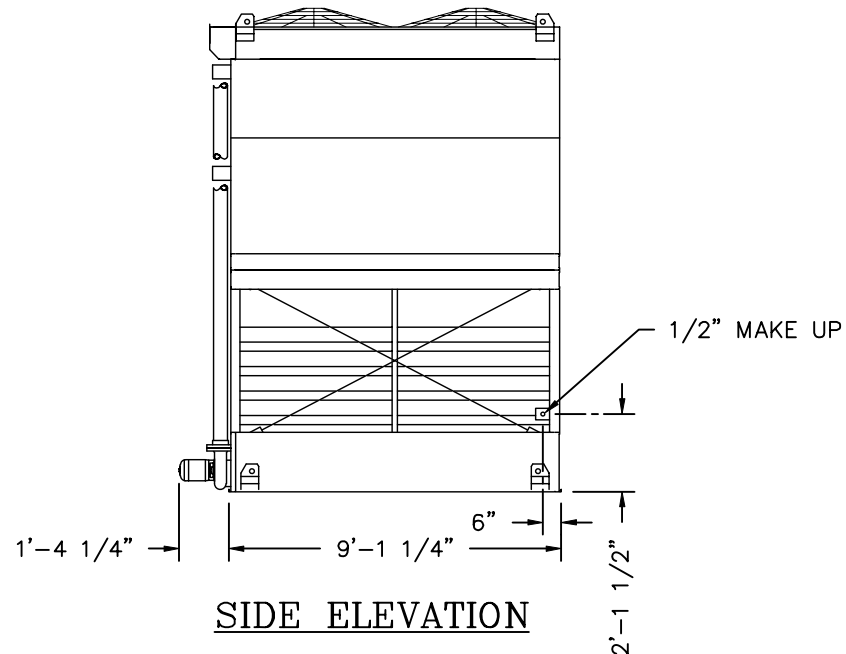
**PLAN VIEW**

**NOTES:**

1. ALL DIMENSIONS ARE IN FEET AND INCHES. WEIGHTS ARE IN POUNDS.
2. DIMENSIONS SHOWING LOCATION OF COIL CONNECTIONS ARE APPROXIMATE AND SHOULD NOT BE USED FOR PREFABRICATION OF CONNECTING PIPING.
3. COIL CONNECTIONS ARE IPS BEVELLED FOR WELDING.
4. CONNECTIONS 3" & SMALLER ARE MPT.
5. THE AREA ABOVE THE DISCHARGE OF THE FAN MUST BE UNOBSTRUCTED.
6. FOR WEIGHT LOADING AND SUPPORT REQUIREMENTS REFER TO THE SUGGESTED STEEL SUPPORT DRAWING.



**END ELEVATION**



**SIDE ELEVATION**

( RH UNIT )

B.A.C.  
ORDER NO:



BALTIMORE AIRCOIL  
COMPANY

SERIES 1500  
FLUID COOLER

DATE:

DRAWING NUMBER:  
BAC-17091A

B