

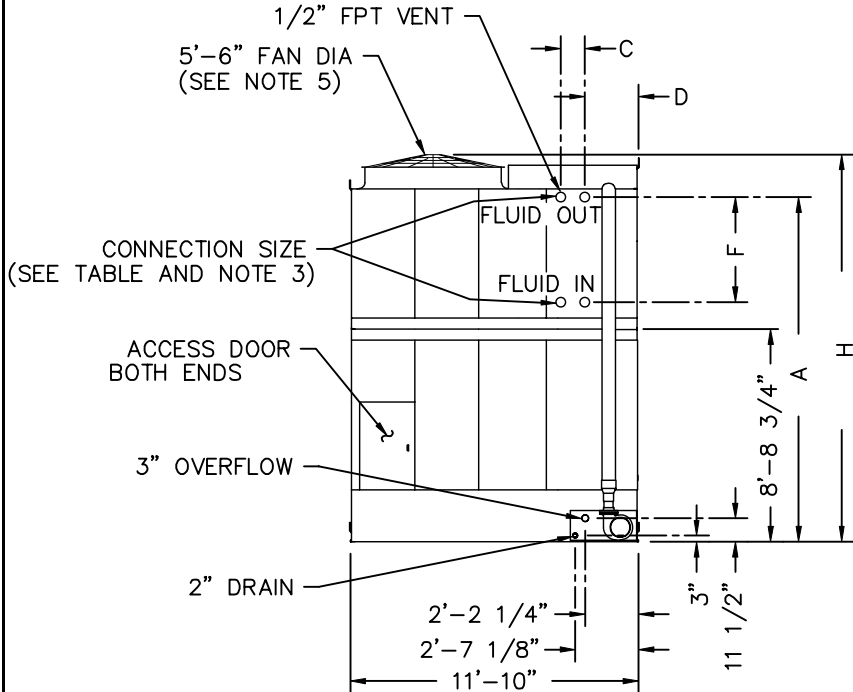
PLAN VIEW

MODEL NUMBER	SHIPPING WEIGHT	OPERATING WEIGHT	HEAVIEST SECTION (UPPER)	CONN. SIZE	A	F	C	D
FXV- 641	10,890	18,560	6730	4"	14'-2"	24"	1'-0"	2'-2 3/8"
FXV- 642	11,930	20,050	7770	4"	14'-2"	33 1/4"	1'-0"	2'-2 3/8"
FXV- 643	12,980	21,550	8820	4"	14'-2"	42 1/2"	1'-0"	2'-2 3/8"
FXV- 644	14,040	23,050	9880	4"	14'-2"	51 3/4"	1'-0"	2'-2 3/8"

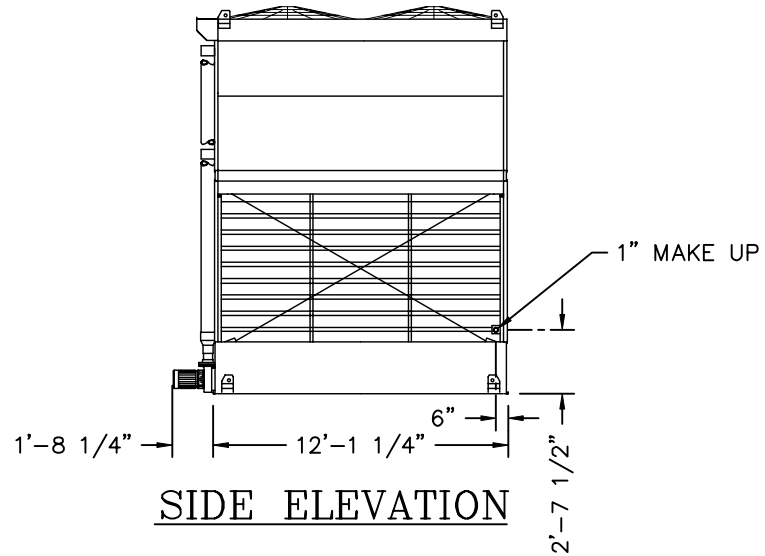
DIMENSION H	
FAN OPTION	H
STD FAN & LOW SOUND FAN	15'-10 3/4'
WHISPER QUIET FAN	16'-4 1/4'

NOTES:

1. ALL DIMENSIONS ARE IN FEET AND INCHES. WEIGHTS ARE IN POUNDS.
2. DIMENSIONS SHOWING LOCATION OF COIL CONNECTIONS ARE APPROXIMATE AND SHOULD NOT BE USED FOR PREFABRICATION OF CONNECTING PIPING.
3. COIL CONNECTIONS ARE IPS BEVELLED FOR WELDING.
4. CONNECTIONS 3" & SMALLER ARE MPT.
5. THE AREA ABOVE THE DISCHARGE OF THE FAN MUST BE UNOBSTRUCTED.
6. FOR WEIGHT LOADING AND SUPPORT REQUIREMENTS REFER TO THE SUGGESTED STEEL SUPPORT DRAWING.



END ELEVATION



SIDE ELEVATION

(RH UNIT)

B.A.C.
ORDER NO:



BALTIMORE AIRCOIL
COMPANY

SERIES 1500
FLUID COOLER

DRAWING NUMBER:
BAC-17113A

E

DATE: