

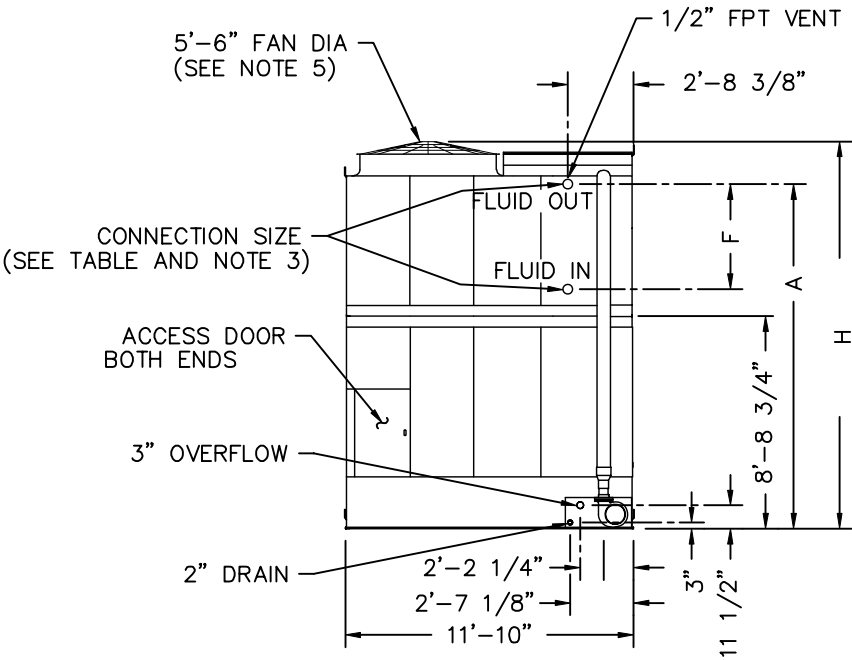
PLAN VIEW

MODEL NUMBER	SHIPPING WEIGHT	OPERATING WEIGHT	HEAVIEST SECTION (UPPER)	CONNECTION SIZE	A	F
FXV- Q640	11,930	20,050	7770	6"	14'-1"	31 3/8"
FXV- Q641	14,040	23,050	9880	6"	14'-1"	49 7/8"

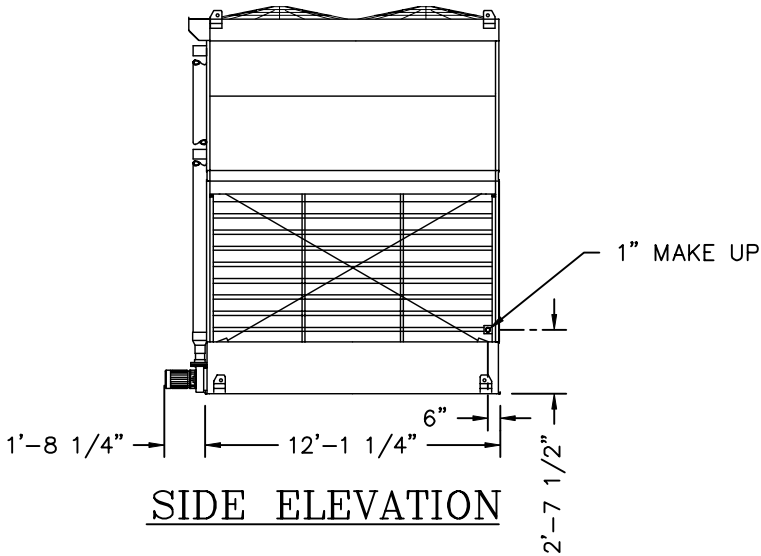
DIMENSION H	
FAN OPTION	H
STD FAN & LOW SOUND FAN	15'-10 3/4"
WHISPER QUIET FAN	16'-4 1/4"

NOTES:

1. ALL DIMENSIONS ARE IN FEET AND INCHES. WEIGHTS ARE IN POUNDS.
2. DIMENSIONS SHOWING LOCATION OF COIL CONNECTIONS ARE APPROXIMATE AND SHOULD NOT BE USED FOR PREFABRICATION OF CONNECTING PIPING.
3. COIL CONNECTIONS ARE IPS BEVELLED FOR WELDING.
4. CONNECTIONS 3" & SMALLER ARE MPT.
5. THE AREA ABOVE THE DISCHARGE OF THE FAN MUST BE UNOBSTRUCTED.
6. FOR WEIGHT LOADING AND SUPPORT REQUIREMENTS REFER TO THE SUGGESTED STEEL SUPPORT DRAWING.



END ELEVATION



SIDE ELEVATION

(RH UNIT)

B.A.C.
ORDER NO:



BALTIMORE AIRCOIL
COMPANY

SERIES 1500
FLUID COOLER

DATE:

DRAWING NUMBER:
BAC-17612A

C