

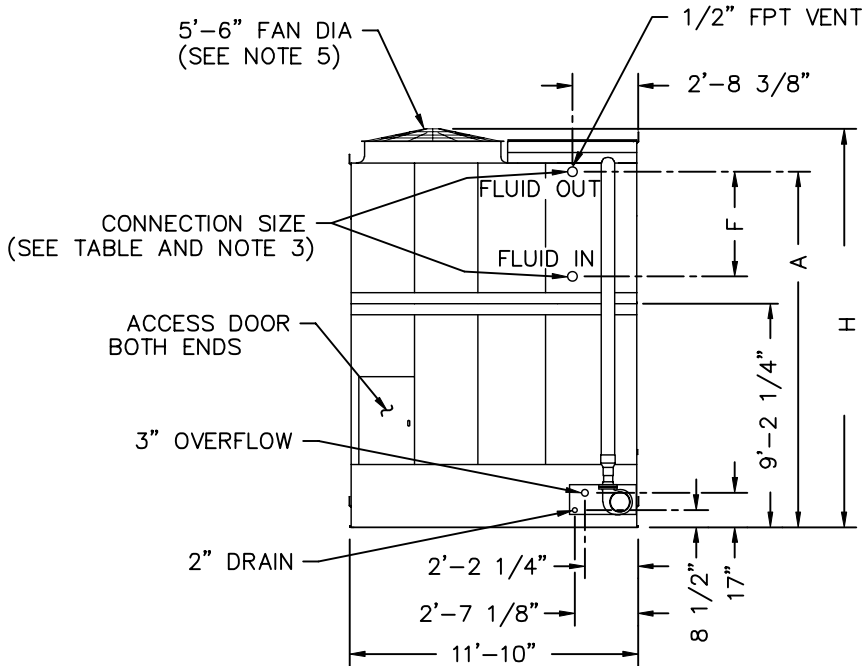
PLAN VIEW

MODEL NUMBER	SHIPPING WEIGHT	OPERATING WEIGHT	HEAVIEST SECTION (UPPER)	CONNECTION SIZE	A	F
FXV- Q660	17,070	29,290	11,250	8"	14'-5 1/2"	29 3/8"
FXV- Q661	20,280	33,810	14,460	8"	14'-5 1/2"	47 7/8"

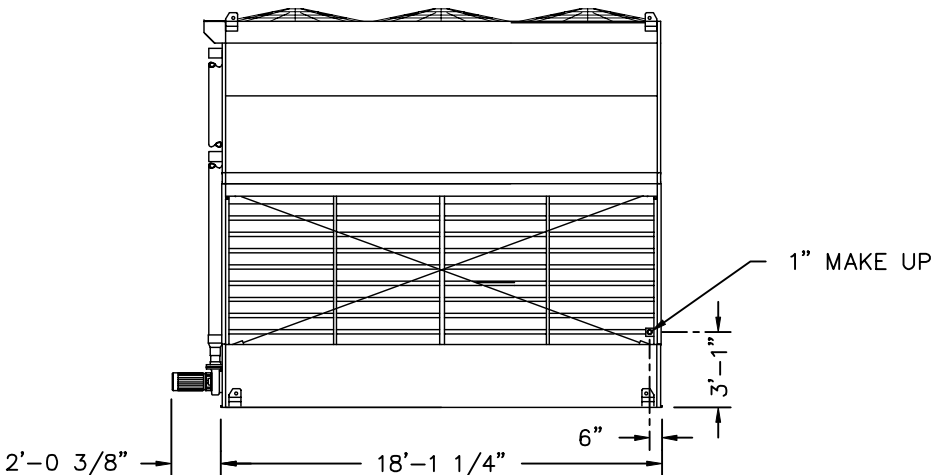
DIMENSION H	
FAN OPTION	H
STD FAN & LOW SOUND FAN	16'- 4 1/4"
WHISPER QUIET FAN	16'- 9 3/4"

NOTES:

1. ALL DIMENSIONS ARE IN FEET AND INCHES. WEIGHTS ARE IN POUNDS.
2. DIMENSIONS SHOWING LOCATION OF COIL CONNECTIONS ARE APPROXIMATE AND SHOULD NOT BE USED FOR PREFABRICATION OF CONNECTING PIPING.
3. COIL CONNECTIONS ARE IPS BEVELLED FOR WELDING.
4. CONNECTIONS 3" & SMALLER ARE MPT.
5. THE AREA ABOVE THE DISCHARGE OF THE FAN MUST BE UNOBSTRUCTED.
6. FOR WEIGHT LOADING AND SUPPORT REQUIREMENTS REFER TO THE SUGGESTED STEEL SUPPORT DRAWING.



END ELEVATION



SIDE ELEVATION

(RH UNIT)

B.A.C.
ORDER NO:



BALTIMORE AIRCOIL
COMPANY

SERIES 1500
FLUID COOLER

DRAWING NUMBER:
BAC-17616A

B

DATE: