

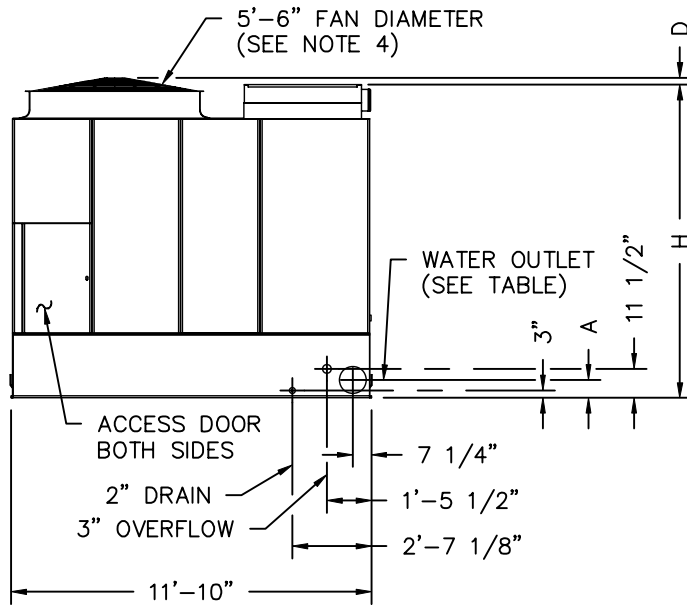
PLAN VIEW

MODEL NUMBER	SHIPPING WEIGHT	FLOW RATE (USGPM)		OPER. WEIGHT @		B	H
		NOMINAL FLOW	MAXIMUM FLOW	NOMINAL	MAXIMUM		
15146	3940	438	743	7450	7920	9'-8 5/8"	10'-2 7/8"
15160	3960	480	813	7540	7940	9'-8 5/8"	10'-2 7/8"
15176	4010	528	894	7640	7990	9'-8 5/8"	10'-2 7/8"
15162	4200	486	805	7990	8610	11'-0 5/8"	11'-6 7/8"
15177	4220	531	887	8100	8630	11'-0 5/8"	11'-6 7/8"
15201	4280	603	996	8290	8690	11'-0 5/8"	11'-6 7/8"
15219	4300	657	1083	8360	8710	11'-0 5/8"	11'-6 7/8"

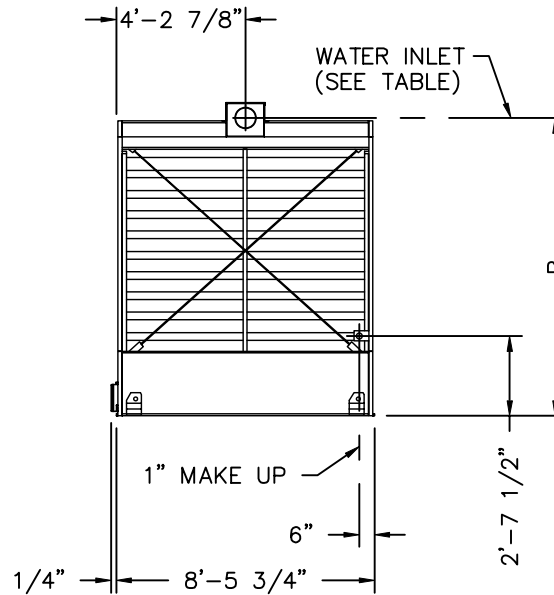
DIMENSION D	
FAN OPTION	D
STD FAN & LOW SOUND FAN	2 3/4'
WHISPER QUIET FAN	8 1/4'

(See note 6)

WATER INLET AND OUTLET SIZING			
FLOW RANGE	WATER INLET SIZE	WATER OUTLET SIZE	A
260-850	6"	8"	7"
851-1000	8"	8"	7"



END ELEVATION



SIDE ELEVATION

NOTES:

1. CONNECTIONS 3" & SMALLER ARE MPT. CONNECTIONS 4" & LARGER ARE GROOVED TO SUIT A MECHANICAL COUPLING AND BEVELED FOR WELDING.
2. ALL DIMENSIONS ARE IN FEET AND INCHES. WEIGHTS ARE IN POUNDS.
3. FOR WEIGHT LOADING AND SUPPORT REQUIREMENTS REFER TO THE SUGGESTED STEEL SUPPORT DRAWING.
4. THE AREA ABOVE THE DISCHARGE OF THE FAN MUST BE UNOBSTRUCTED.
5. FOR ACTUAL OPERATING WEIGHT INTERPOLATE BETWEEN FLOW RATES GIVEN.
6. FAN GUARD & COWL EXTENSION MAY SHIP LOOSE WITH WHISPER QUIET FAN OPTION.

[ RH UNIT ]

B.A.C.  
ORDER NO:



BALTIMORE AIRCOIL  
COMPANY

SERIES 1500  
COOLING TOWER

DRAWING NUMBER:  
BAC-16500A

B

DATE: