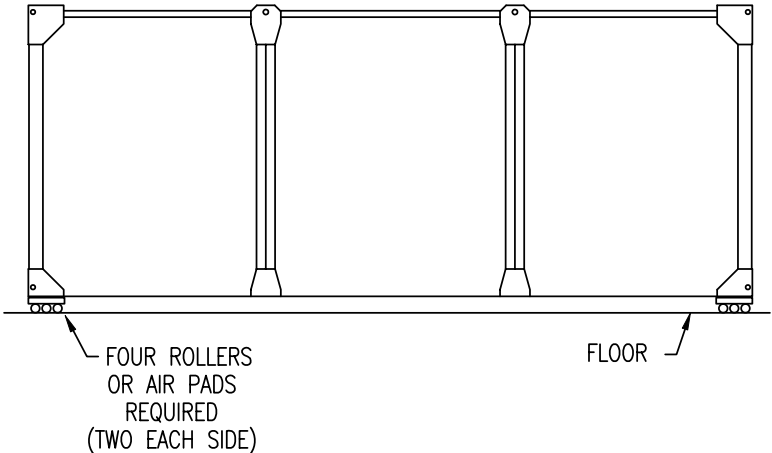


RECOMMENDED RIGGING METHOD



RECOMMENDED ARRANGEMENT OF ROLLERS USED FOR FINAL POSITIONING

STANDARD TSU-M	LOW PROFILE TSU-LM	"W" (in.)	"W" (mm)
TSU-476M	TSU-L370M	7'-11"	2400 mm
TSU-594M	TSU-L462M	9'-10"	2980 mm
TSU-761M	TSU-L592M	11'-10"	3600 mm

B.A.C.  
ORDER NO:

DATE:



BALTIMORE AIRCOIL  
COMPANY

ICE CHILLER®  
THERMAL STORAGE UNIT

DRAWING NUMBER:  
BAC-11099A

B