

# AL Engineering Data

## Models AL1S-4563 to AL1S-63104

Do not use for construction. Refer to factory certified dimensions. This handbook includes data current at the time of publication, which should be reconfirmed at the time of purchase.

Aircoil™ Evaporators

| Model Number | Face Area (ft²) | Fan Pwr (HP) | Fan Spd (RPM) | Fan Dia (in) | 0" ESP             |        |               |                          | 0.25" ESP/45° Down/Long Throw |               |                    |        |               | 0.5" ESP/90° Down (Penthouse) |               |                    |        |               |
|--------------|-----------------|--------------|---------------|--------------|--------------------|--------|---------------|--------------------------|-------------------------------|---------------|--------------------|--------|---------------|-------------------------------|---------------|--------------------|--------|---------------|
|              |                 |              |               |              | Capacity (BTUH/°F) |        | Airflow (CFM) | Avg. Face Velocity (FPM) | Fan Pwr (HP)                  | Fan Spd (RPM) | Capacity (BTUH/°F) |        | Airflow (CFM) | Fan Pwr (HP)                  | Fan Spd (RPM) | Capacity (BTUH/°F) |        | Airflow (CFM) |
|              |                 |              |               |              | Frosted            | Wet    |               |                          |                               |               | Frosted            | Wet    |               |                               |               | Frosted            | Wet    |               |
| AL1S-4563    | 19.4            | 1            | 1140          | 30           | 6280               | 6,908  | 10,600        | 547                      | 1.5                           | 1140          | 6,310              | 6,941  | 10,700        | 2                             | 1140          | 6,030              | 6,633  | 9,800         |
| AL1S-4583    | 19.4            | 1            | 1140          | 30           | 7,560              | 8,316  | 10,400        | 537                      | 1.5                           | 1140          | 7,560              | 8,316  | 10,400        | 2                             | 1140          | 7,120              | 7,832  | 9,400         |
| AL1S-45103   | 19.4            | 1.5          | 1140          | 30           | 9,120              | 10,032 | 11,400        | 588                      | 2                             | 1140          | 8,970              | 9,867  | 11,100        | 3                             | 1140          | 8,970              | 9,867  | 11,100        |
| AL1S-4564    | 19.4            | 1            | 1140          | 30           | 7,250              | 7,975  | 10,500        | 542                      | 2                             | 1140          | 7,660              | 8,426  | 11,600        | 3                             | 1140          | 7,730              | 8,503  | 11,800        |
| AL1S-4584    | 19.4            | 1.5          | 1140          | 30           | 9,130              | 10,043 | 11,500        | 594                      | 2                             | 1140          | 8,980              | 9,878  | 11,200        | 3                             | 1140          | 9,030              | 9,933  | 11,300        |
| AL1S-45104   | 19.4            | 2            | 1140          | 30           | 10,320             | 11,352 | 11,500        | 594                      | 2                             | 1140          | 9,830              | 10,813 | 10,700        | 3                             | 1140          | 9,770              | 10,747 | 10,600        |
| AL1S-4563    | 19.4            | 3            | 1140          | 30           | 7,410              | -      | 14,700        | 759                      | 5                             | 1750          | 7,730              | -      | 16,000        | 5                             | 1750          | 7,580              | -      | 15,400        |
| AL1S-4583    | 19.4            | 3            | 1140          | 30           | 9,070              | -      | 14,300        | 738                      | 5                             | 1750          | 9,570              | -      | 15,800        | 5                             | 1750          | 9,380              | -      | 15,200        |
| AL1S-45103   | 19.4            | 3            | 1140          | 30           | 10,240             | -      | 13,800        | 712                      | 5                             | 1750          | 11,050             | -      | 15,700        | 5                             | 1750          | 10,640             | -      | 14,700        |
| AL1S-4564    | 19.4            | 3            | 1140          | 30           | 8,580              | -      | 14,400        | 743                      | 5                             | 1750          | 9,000              | -      | 15,800        | 5                             | 1750          | 8,830              | -      | 15,200        |
| AL1S-4584    | 19.4            | 3            | 1140          | 30           | 10,250             | -      | 14,000        | 723                      | 5                             | 1750          | 10,850             | -      | 15,500        | 5                             | 1750          | 10,650             | -      | 15,000        |
| AL1S-45104   | 19.4            | 3            | 1140          | 30           | 11,320             | -      | 13,300        | 686                      | 5                             | 1750          | 12,350             | -      | 15,300        | 5                             | 1750          | 11,950             | -      | 14,500        |
| AL1S-4563    | 19.4            | 7.5          | 1750          | 30           | 8,530              | -      | 19,600        | 1,012                    | 7.5                           | 1750          | 8,400              | -      | 19,000        | 7 1/2                         | 1750          | 8,280              | -      | 18,400        |
| AL1S-4583    | 19.4            | 7.5          | 1750          | 30           | 10,630             | -      | 19,300        | 996                      | 7.5                           | 1750          | 10,430             | -      | 18,600        | 7 1/2                         | 1750          | 10,260             | -      | 18,000        |
| AL1S-45103   | 19.4            | 7.5          | 1750          | 30           | 12,220             | -      | 18,700        | 965                      | 7.5                           | 1750          | 11,990             | -      | 18,100        | 7 1/2                         | 1750          | 11,730             | -      | 17,400        |
| AL1S-4564    | 19.4            | 7.5          | 1750          | 30           | 9,960              | -      | 19,400        | 1,001                    | 7.5                           | 1750          | 9,790              | -      | 18,700        | 7 1/2                         | 1750          | 9,630              | -      | 18,100        |
| AL1S-4584    | 19.4            | 7.5          | 1750          | 30           | 12,080             | -      | 18,900        | 975                      | 7.5                           | 1750          | 11,880             | -      | 18,300        | 7 1/2                         | 1750          | 11,630             | -      | 17,600        |
| AL1S-45104   | 19.4            | 7.5          | 1750          | 30           | 13,740             | -      | 18,300        | 945                      | 7.5                           | 1750          | 13,420             | -      | 17,600        | 7 1/2                         | 1750          | 13,100             | -      | 16,900        |
| AL1S-4963    | 21.3            | 0.75         | 1140          | 36           | 6,980              | 7,678  | 11,900        | 558                      | 1.5                           | 1140          | 7,250              | 7,975  | 12,800        | 2                             | 1140          | 7,220              | 7,942  | 12,700        |
| AL1S-4983    | 21.3            | 0.75         | 1140          | 36           | 8,350              | 9,185  | 11,500        | 540                      | 1.5                           | 1140          | 8,770              | 9,647  | 12,500        | 2                             | 1140          | 8,680              | 9,548  | 12,300        |
| AL1S-49103   | 21.3            | 0.75         | 1140          | 36           | 9,240              | 10,164 | 11,000        | 516                      | 2                             | 1140          | 10,210             | 11,231 | 12,900        | 3                             | 1140          | 10,210             | 11,231 | 12,900        |
| AL1S-4964    | 21.3            | 0.75         | 1140          | 36           | 7,990              | 8,789  | 11,600        | 544                      | 1.5                           | 1140          | 8,330              | 9,163  | 12,500        | 2                             | 1140          | 8,290              | 9,119  | 12,400        |
| AL1S-4984    | 21.3            | 0.75         | 1140          | 36           | 9,260              | 10,186 | 11,100        | 521                      | 1.5                           | 1140          | 9,770              | 10,747 | 12,100        | 2                             | 1140          | 9,620              | 10,582 | 11,800        |
| AL1S-49104   | 21.3            | 1.5          | 1140          | 36           | 11,310             | 12,441 | 12,600        | 591                      | 2                             | 1140          | 11,440             | 12,584 | 12,800        | 3                             | 1140          | 11,490             | 12,639 | 12,900        |
| AL1S-4563    | 19.4            | 3            | 1140          | 30           | 7,410              | -      | 14,700        | 759                      | 3                             | 1140          | 8,480              | -      | 17,500        | 5                             | 1140          | 8,400              | -      | 17,200        |
| AL1S-4583    | 19.4            | 3            | 1140          | 30           | 9,070              | -      | 14,300        | 738                      | 3                             | 1140          | 10,270             | -      | 16,600        | 5                             | 1140          | 10,630             | -      | 17,700        |
| AL1S-45103   | 19.4            | 3            | 1140          | 30           | 10,240             | -      | 13,800        | 712                      | 5                             | 1140          | 12,090             | -      | 17,100        | 5                             | 1750          | 12,490             | -      | 18,100        |
| AL1S-4964    | 21.3            | 3            | 1140          | 36           | 9,880              | -      | 17,300        | 812                      | 3                             | 1140          | 9,730              | -      | 16,800        | 5                             | 1140          | 10,020             | -      | 17,800        |
| AL1S-4984    | 21.3            | 3            | 1140          | 36           | 11,720             | -      | 16,500        | 774                      | 5                             | 1140          | 12,040             | -      | 17,300        | 5                             | 1750          | 12,450             | -      | 18,400        |
| AL1S-49104   | 21.3            | 5            | 1140          | 36           | 13,960             | -      | 17,600        | 826                      | 5                             | 1140          | 13,810             | -      | 17,300        | 5                             | 1750          | 13,850             | -      | 17,400        |
| AL1S-4963    | 21.3            | 5            | 1140          | 36           | 9,390              | -      | 21,600        | 1,013                    | 5                             | 1750          | 9,290              | -      | 21,100        | 5                             | 1750          | 8,960              | -      | 19,600        |
| AL1S-4983    | 21.3            | 5            | 1140          | 36           | 11,570             | -      | 20,800        | 976                      | 7.5                           | 1750          | 12,240             | -      | 23,200        | 7 1/2                         | 1750          | 11,970             | -      | 22,200        |
| AL1S-49103   | 21.3            | 7.5          | 1140          | 36           | 13,930             | -      | 21,900        | 1,028                    | 7.5                           | 1750          | 13,990             | -      | 22,100        | 7 1/2                         | 1750          | 13,630             | -      | 21,100        |
| AL1S-4964    | 21.3            | 5            | 1140          | 36           | 10,880             | -      | 21,000        | 985                      | 7.5                           | 1750          | 11,460             | -      | 23,400        | 7 1/2                         | 1750          | 11,220             | -      | 22,400        |
| AL1S-4984    | 21.3            | 7.5          | 1140          | 36           | 13,830             | -      | 22,400        | 1,051                    | 7.5                           | 1750          | 13,860             | -      | 22,500        | 7 1/2                         | 1750          | 13,500             | -      | 21,400        |
| AL1S-49104   | 21.3            | 7.5          | 1140          | 36           | 15,350             | -      | 20,700        | 971                      | 7.5                           | 1750          | 15,600             | -      | 21,300        | 7 1/2                         | 1750          | 15,140             | -      | 20,200        |
| AL1S-5463    | 23.3            | 1.5          | 1140          | 36           | 7,910              | 8,701  | 14,000        | 602                      | 2                             | 1140          | 7,830              | 8,613  | 13,700        | 3                             | 1140          | 7,830              | 8,613  | 13,700        |
| AL1S-5483    | 23.3            | 1.5          | 1140          | 36           | 9,700              | 10,670 | 14,000        | 602                      | 2                             | 1140          | 9,790              | 10,769 | 14,200        | 3                             | 1140          | 9,630              | 10,593 | 13,800        |
| AL1S-54103   | 23.3            | 1.5          | 1140          | 36           | 10,950             | 12,045 | 13,700        | 589                      | 2                             | 1140          | 11,010             | 12,111 | 13,800        | 3                             | 1140          | 11,100             | 12,210 | 14,000        |
| AL1S-5464    | 23.3            | 1.5          | 1140          | 36           | 9,210              | 10,131 | 14,000        | 602                      | 2                             | 1140          | 9,320              | 10,252 | 14,300        | 3                             | 1140          | 9,180              | 10,098 | 13,900        |
| AL1S-5484    | 23.3            | 1.5          | 1140          | 36           | 10,950             | 12,045 | 13,800        | 594                      | 2                             | 1140          | 11,000             | 12,100 | 13,900        | 3                             | 1140          | 11,140             | 12,254 | 14,200        |
| AL1S-54104   | 23.3            | 2            | 1140          | 36           | 12,380             | 13,618 | 13,800        | 594                      | 3                             | 1140          | 12,380             | 13,618 | 13,800        | 3                             | 1140          | 12,130             | 13,343 | 13,400        |
| AL1S-5463    | 23.3            | 2            | 1140          | 42           | 9,220              | -      | 19,000        | 817                      | 3                             | 1140          | 9,220              | -      | 19,000        | 5                             | 1140          | 9,490              | -      | 20,100        |
| AL1S-5483    | 23.3            | 3            | 1140          | 42           | 11,850             | -      | 20,100        | 865                      | 5                             | 1140          | 12,070             | -      | 20,800        | 5                             | 1140          | 12,000             | -      | 20,600        |
| AL1S-54103   | 23.3            | 3            | 1140          | 42           | 13,250             | -      | 18,800        | 809                      | 5                             | 1140          | 13,660             | -      | 19,800        | 5                             | 1140          | 13,530             | -      | 19,500        |
| AL1S-5464    | 23.3            | 3            | 1140          | 42           | 11,180             | -      | 20,300        | 873                      | 5                             | 1140          | 11,400             | -      | 21,100        | 5                             | 1140          | 11,320             | -      | 20,800        |
| AL1S-5484    | 23.3            | 3            | 1140          | 42           | 13,250             | -      | 19,200        | 826                      | 5                             | 1140          | 13,630             | -      | 20,200        | 5                             | 1140          | 13,480             | -      | 19,800        |
| AL1S-54104   | 23.3            | 5            | 1140          | 42           | 15,550             | -      | 19,900        | 856                      | 5                             | 1140          | 15,600             | -      | 20,000        | 7 1/2                         | 1140          | 15,600             | -      | 20,000        |
| AL1S-5463    | 23.3            | 5            | 1140          | 42           | 10,460             | -      | 24,600        | 1,058                    | 7.5                           | 1140          | 10,600             | -      | 25,300        | 7 1/2                         | 1140          | 10,300             | -      | 23,800        |
| AL1S-5483    | 23.3            | 5            | 1140          | 42           | 12,800             | -      | 23,300        | 1,002                    | 7.5                           | 1140          | 13,300             | -      | 25,100        | 7 1/2                         | 1140          | 12,800             | -      | 23,300        |
| AL1S-54103   | 23.3            | 7.5          | 1140          | 42           | 15,540             | -      | 24,900        | 1,071                    | 7.5                           | 1140          | 15,010             | -      | 23,400        | 7 1/2                         | 1750          | 15,300             | -      | 24,200        |
| AL1S-5464    | 23.3            | 5            | 1140          | 42           | 12,040             | -      | 23,600        | 1,015                    | 7.5                           | 1140          | 12,470             | -      | 25,400        | 7 1/2                         | 1140          | 12,040             | -      | 23,600        |
| AL1S-5484    | 23.3            | 5            | 1140          | 42           | 14,550             | -      | 22,800        | 981                      | 7.5                           | 1140          | 14,910             | -      | 23,900        | 7 1/2                         | 1750          | 15,170             | -      | 24,700        |
| AL1S-54104   | 23.3            | 7.5          | 1140          | 42           | 17,180             | -      | 23,600        | 1,015                    | 7.5                           | 1750          | 17,470             | -      | 24,300        | 7 1/2                         | 1750          | 16,920             | -      | 23,000        |



## Performance Data (continued)

| Model Number | Face Area (ft <sup>2</sup> ) | 0" ESP       |               |              |                    |        |               |                          | 0.25" ESP/45° Down/Long Throw |               |                    |        |               | 0.5" ESP/90° Down (Penthouse) |               |                    |        |               |
|--------------|------------------------------|--------------|---------------|--------------|--------------------|--------|---------------|--------------------------|-------------------------------|---------------|--------------------|--------|---------------|-------------------------------|---------------|--------------------|--------|---------------|
|              |                              | Fan Pwr (HP) | Fan Spd (RPM) | Fan Dia (in) | Capacity (BTUH/°F) |        | Airflow (CFM) | Avg. Face Velocity (FPM) | Fan Pwr (HP)                  | Fan Spd (RPM) | Capacity (BTUH/°F) |        | Airflow (CFM) | Fan Pwr (HP)                  | Fan Spd (RPM) | Capacity (BTUH/°F) |        | Airflow (CFM) |
|              |                              |              |               |              | Frosted            | Wet    |               |                          |                               |               | Frosted            | Wet    |               |                               |               | Frosted            | Wet    |               |
| AL1S-5863    | 25.2                         | 1.5          | 1140          | 36           | 8,410              | 9,251  | 14,600        | 580                      | 2                             | 1140          | 8,560              | 9,416  | 15,100        | 3                             | 1140          | 8,580              | 9,438  | 15,200        |
| AL1S-5883    | 25.2                         | 2            | 1140          | 36           | 10,330             | 11,363 | 14,700        | 584                      | 2                             | 1140          | 10,330             | 11,363 | 14,700        | 3                             | 1140          | 10,370             | 11,407 | 14,800        |
| AL1S-58103   | 25.2                         | 2            | 1140          | 36           | 11,600             | 12,760 | 14,300        | 568                      | 3                             | 1140          | 11,950             | 13,145 | 15,000        | 3                             | 1140          | 11,700             | 12,870 | 14,500        |
| AL1S-5864    | 25.2                         | 2            | 1140          | 36           | 9,820              | 10,802 | 14,700        | 584                      | 2                             | 1140          | 9,820              | 10,802 | 14,700        | 3                             | 1140          | 9,890              | 10,879 | 14,900        |
| AL1S-5884    | 25.2                         | 2            | 1140          | 36           | 11,600             | 12,760 | 14,400        | 572                      | 3                             | 1140          | 11,940             | 13,134 | 15,100        | 3                             | 1140          | 11,750             | 12,925 | 14,700        |
| AL1S-58104   | 25.2                         | 2            | 1140          | 36           | 13,500             | 14,850 | 15,100        | 600                      | 3                             | 1140          | 13,540             | 14,894 | 15,200        | 3                             | 1140          | 12,770             | 14,047 | 13,900        |
| AL1S-5863    | 25.2                         | 3            | 1140          | 42           | 10,210             | -      | 21,500        | 854                      | 5                             | 1140          | 10,550             | -      | 23,000        | 5                             | 1140          | 10,300             | -      | 21,900        |
| AL1S-5883    | 25.2                         | 3            | 1140          | 42           | 12,500             | -      | 20,700        | 822                      | 5                             | 1140          | 12,870             | -      | 21,900        | 5                             | 1140          | 12,630             | -      | 21,100        |
| AL1S-58103   | 25.2                         | 5            | 1140          | 42           | 15,040             | -      | 22,100        | 877                      | 5                             | 1140          | 14,850             | -      | 21,600        | 7.5                           | 1140          | 15,200             | -      | 22,500        |
| AL1S-5864    | 25.2                         | 3            | 1140          | 42           | 11,810             | -      | 20,900        | 830                      | 5                             | 1140          | 12,380             | -      | 23,000        | 5                             | 1140          | 11,920             | -      | 21,300        |
| AL1S-5884    | 25.2                         | 5            | 1140          | 42           | 15,130             | -      | 22,900        | 909                      | 5                             | 1140          | 14,800             | -      | 22,000        | 7.5                           | 1140          | 15,130             | -      | 22,900        |
| AL1S-58104   | 25.2                         | 5            | 1140          | 42           | 16,680             | -      | 21,200        | 842                      | 5                             | 1140          | 16,450             | -      | 20,700        | 7.5                           | 1140          | 16,680             | -      | 21,200        |
| AL1S-5863    | 25.2                         | 7.5          | 1140          | 42           | 11,440             | -      | 27,200        | 1,080                    | 7.5                           | 1140          | 11,400             | -      | 27,000        | 7.5                           | 1140          | 11,010             | -      | 25,100        |
| AL1S-5883    | 25.2                         | 7.5          | 1140          | 42           | 14,490             | -      | 27,500        | 1,092                    | 7.5                           | 1140          | 14,050             | -      | 25,900        | 7.5                           | 1140          | 13,510             | -      | 24,000        |
| AL1S-58103   | 25.2                         | 7.5          | 1140          | 42           | 16,420             | -      | 25,800        | 1,024                    | 7.5                           | 1750          | 16,670             | -      | 26,500        | 7.5                           | 1750          | 16,140             | -      | 25,000        |
| AL1S-5864    | 25.2                         | 7.5          | 1140          | 42           | 13,580             | -      | 27,800        | 1,104                    | 7.5                           | 1140          | 13,200             | -      | 26,200        | 7.5                           | 1140          | 12,720             | -      | 24,300        |
| AL1S-5884    | 25.2                         | 7.5          | 1140          | 42           | 16,320             | -      | 26,400        | 1,048                    | 7.5                           | 1140          | 15,760             | -      | 24,700        | 7.5                           | 1750          | 16,020             | -      | 25,500        |
| AL1S-58104   | 25.2                         | 7.5          | 1140          | 42           | 18,160             | -      | 24,500        | 973                      | 7.5                           | 1750          | 18,450             | -      | 25,200        | 7.5                           | 1750          | 17,860             | -      | 23,800        |
| AL1S-6363    | 27.1                         | 2            | 1140          | 36           | 8,870              | 9,757  | 15,100        | 557                      | 3                             | 1140          | 93,70              | 10,307 | 16,800        | 3                             | 1140          | 9,190              | 10,109 | 16,200        |
| AL1S-6383    | 27.1                         | 2            | 1140          | 36           | 11,350             | 12,485 | 16,400        | 605                      | 3                             | 1140          | 11,350             | 12,485 | 16,400        | 3                             | 1140          | 11,020             | 12,122 | 15,600        |
| AL1S-63103   | 27.1                         | 3            | 1140          | 36           | 12,880             | 14,168 | 16,200        | 597                      | 3                             | 1140          | 12,680             | 13,948 | 15,800        | 3                             | 1140          | 12,230             | 13,453 | 14,900        |
| AL1S-6364    | 27.1                         | 2            | 1140          | 36           | 10,810             | 11,891 | 16,500        | 608                      | 3                             | 1140          | 10,810             | 11,891 | 16,500        | 3                             | 1140          | 10,520             | 11,572 | 15,700        |
| AL1S-6384    | 27.1                         | 3            | 1140          | 36           | 12,870             | 14,157 | 16,300        | 601                      | 3                             | 1140          | 12,730             | 14,003 | 16,000        | 3                             | 1140          | 12,230             | 13,453 | 15,000        |
| AL1S-63104   | 27.1                         | 3            | 1140          | 36           | 14,380             | 15,818 | 16,000        | 590                      | 3                             | 1140          | 14,560             | 16,016 | 16,300        | 5                             | 1140          | 14,670             | 16,137 | 16,500        |
| AL1S-6363    | 27.1                         | 3            | 1140          | 42           | 10,720             | -      | 22,000        | 811                      | 5                             | 1140          | 11,190             | -      | 24,000        | 7.5                           | 1140          | 11,330             | -      | 24,600        |
| AL1S-6383    | 27.1                         | 5            | 1140          | 42           | 14,180             | -      | 24,600        | 907                      | 5                             | 1140          | 13,740             | -      | 23,200        | 7.5                           | 1140          | 13,960             | -      | 23,900        |
| AL1S-63103   | 27.1                         | 5            | 1140          | 42           | 16,120             | -      | 23,600        | 870                      | 7.5                           | 1750          | 17,510             | -      | 27,300        | 7.5                           | 1140          | 15,960             | -      | 23,200        |
| AL1S-6364    | 27.1                         | 5            | 1140          | 42           | 13,370             | -      | 24,900        | 918                      | 5                             | 1140          | 12,970             | -      | 23,400        | 7.5                           | 1140          | 13,150             | -      | 24,100        |
| AL1S-6384    | 27.1                         | 5            | 1140          | 42           | 16,060             | -      | 24,000        | 885                      | 7.5                           | 1140          | 16,270             | -      | 24,600        | 7.5                           | 1140          | 15,910             | -      | 23,600        |
| AL1S-63104   | 27.1                         | 5            | 1140          | 42           | 17,900             | -      | 22,700        | 837                      | 7.5                           | 1140          | 18,410             | -      | 23,800        | 7.5                           | 1140          | 17,570             | -      | 22,000        |
| AL1S-6363    | 27.1                         | 7.5          | 1140          | 42           | 12,300             | -      | 29,200        | 1,076                    | 7.5                           | 1140          | 11,960             | -      | 27,500        | 7.5                           | 1750          | 12,140             | -      | 28,400        |
| AL1S-6383    | 27.1                         | 7.5          | 1140          | 42           | 15,190             | -      | 28,100        | 1,036                    | 7.5                           | 1140          | 14,740             | -      | 26,500        | 7.5                           | 1750          | 14,960             | -      | 27,300        |
| AL1S-63103   | 27.1                         | 7.5          | 1140          | 42           | 17,290             | -      | 26,700        | 984                      | 7.5                           | 1750          | 17,510             | -      | 27,300        | 7.5                           | 1750          | 16,920             | -      | 25,700        |
| AL1S-6364    | 27.1                         | 7.5          | 1140          | 42           | 14,260             | -      | 28,400        | 1,047                    | 7.5                           | 1140          | 13,860             | -      | 26,800        | 7.5                           | 1750          | 14,060             | -      | 27,600        |
| AL1S-6384    | 27.1                         | 7.5          | 1140          | 42           | 17,140             | -      | 27,100        | 999                      | 7.5                           | 1750          | 17,370             | -      | 27,800        | 7.5                           | 1750          | 16,830             | -      | 26,200        |
| AL1S-63104   | 27.1                         | 7.5          | 1140          | 42           | 19,130             | -      | 25,400        | 936                      | 7.5                           | 1750          | 19,400             | -      | 26,000        | 7.5                           | 1750          | 18,780             | -      | 24,600        |



Refrigeration

## Physical Data

| Model Number | Face Area (ft <sup>2</sup> ) | Rows Deep | Coil Vol. (ft <sup>3</sup> ) | L x D x H (in)       | Fin Density: 3 fpi           |                        |            |              | Fin Density: 4 fpi           |                        |            |              |
|--------------|------------------------------|-----------|------------------------------|----------------------|------------------------------|------------------------|------------|--------------|------------------------------|------------------------|------------|--------------|
|              |                              |           |                              |                      | Surf Area (ft <sup>2</sup> ) | Est. Shipping Wt (std) |            |              | Surf Area (ft <sup>2</sup> ) | Est. Shipping Wt (std) |            |              |
|              |                              |           |                              |                      |                              | Galv (lbs)             | Alum (lbs) | SST-Al (lbs) |                              | Galv (lbs)             | Alum (lbs) | SST-Al (lbs) |
| AL1S-456X    | 19.4                         | 6         | 3.2                          | 92 x 53 1/4 x 49 1/2 | 1,290                        | 1,880                  | 1,097      | 1,147        | 1,669                        | 2,045                  | 1,136      | 1,183        |
| AL1S-458X    | 19.4                         | 8         | 4.1                          | 92 x 53 1/4 x 49 1/2 | 1,720                        | 2,146                  | 1,182      | 1,256        | 2,226                        | 2,362                  | 1,234      | 1,303        |
| AL1S-4510X   | 19.4                         | 10        | 4.9                          | 92 x 53 1/4 x 49 1/2 | 2,150                        | 2,411                  | 1,267      | 1,365        | 2,782                        | 2,678                  | 1,332      | 1,424        |
| AL1S-496X    | 21.3                         | 6         | 3.5                          | 92 x 53 1/4 x 54     | 1,418                        | 1,929                  | 1,076      | 1,143        | 1,835                        | 2,110                  | 1,119      | 1,182        |
| AL1S-498X    | 21.3                         | 8         | 4.5                          | 92 x 53 1/4 x 54     | 1,891                        | 2,220                  | 1,170      | 1,263        | 2,447                        | 2,540                  | 1,309      | 1,389        |
| AL1S-4910X   | 21.3                         | 10        | 5.4                          | 92 x 53 1/4 x 54     | 2,364                        | 2,595                  | 1,346      | 1,457        | 3,059                        | 2,888                  | 1,417      | 1,522        |
| AL1S-546X    | 23.3                         | 6         | 3.9                          | 92 x 53 1/4 x 58 1/2 | 1,547                        | 2,052                  | 1,130      | 1,207        | 2,003                        | 2,249                  | 1,177      | 1,249        |
| AL1S-548X    | 23.3                         | 8         | 4.9                          | 92 x 53 1/4 x 58 1/2 | 2,063                        | 2,370                  | 1,232      | 1,338        | 2,670                        | 2,629                  | 1,295      | 1,394        |
| AL1S-5410X   | 23.3                         | 10        | 5.9                          | 92 x 53 1/4 x 58 1/2 | 2,579                        | 2,771                  | 1,417      | 1,543        | 3,338                        | 3,091                  | 1,495      | 1,614        |
| AL1S-586X    | 25.2                         | 6         | 4.2                          | 92 x 53 1/4 x 63     | 1,677                        | 2,256                  | 1,265      | 1,344        | 2,170                        | 2,469                  | 1,316      | 1,390        |
| AL1S-588X    | 25.2                         | 8         | 5.3                          | 92 x 53 1/4 x 63     | 2,235                        | 2,601                  | 1,376      | 1,486        | 2,893                        | 2,880                  | 1,443      | 1,547        |
| AL1S-5810X   | 25.2                         | 10        | 6.4                          | 92 x 53 1/4 x 63     | 2,794                        | 2,946                  | 1,487      | 1,627        | 3,616                        | 3,292                  | 1,571      | 1,704        |
| AL1S-636X    | 27.1                         | 6         | 4.5                          | 92 x 53 1/4 x 67 1/2 | 1,806                        | 2,378                  | 1,318      | 1,407        | 2,337                        | 2,607                  | 1,372      | 1,457        |
| AL1S-638X    | 27.1                         | 8         | 5.7                          | 92 x 53 1/4 x 67 1/2 | 2,408                        | 2,749                  | 1,437      | 1,559        | 3,116                        | 3,050                  | 1,510      | 1,625        |
| AL1S-6310X   | 27.1                         | 10        | 6.9                          | 92 x 53 1/4 x 67 1/2 | 3,010                        | 3,121                  | 1,556      | 1,712        | 3,895                        | 3,493                  | 1,647      | 1,794        |

...because temperature matters™



# AL Engineering Data

## Models AL2S-4563 to AL2S-63104

Do not use for construction. Refer to factory certified dimensions. This handbook includes data current at the time of publication, which should be reconfirmed at the time of purchase.

Aircoil™ Evaporators

| Model Number | Face Area (ft²) | Fan Pwr (HP) | Fan Spd (RPM) | Fan Dia (in) | 0" ESP             |        |               |                          | 0.25" ESP/45° Down/Long Throw |               |                    |        | 0.5" ESP/90° Down (Penthouse) |               |                    |        |        |        |
|--------------|-----------------|--------------|---------------|--------------|--------------------|--------|---------------|--------------------------|-------------------------------|---------------|--------------------|--------|-------------------------------|---------------|--------------------|--------|--------|--------|
|              |                 |              |               |              | Capacity (BTUH/°F) |        | Airflow (CFM) | Avg. Face Velocity (FPM) | Fan Pwr (HP)                  | Fan Spd (RPM) | Capacity (BTUH/°F) |        | Fan Pwr (HP)                  | Fan Spd (RPM) | Capacity (BTUH/°F) |        |        |        |
|              |                 |              |               |              | Frosted            | Wet    |               |                          |                               |               | Frosted            | Wet    |                               |               | Frosted            | Wet    |        |        |
| AL2S-4563    | 38.8            | 1            | 1140          | 30           | 12,560             | 13,816 | 21,200        | 547                      | 1.5                           | 1140          | 12,620             | 13,882 | 21,400                        | 2             | 1140               | 12,060 | 13,266 | 19,600 |
| AL2S-4583    | 38.8            | 1            | 1140          | 30           | 15,130             | 16,643 | 20,800        | 537                      | 1.5                           | 1140          | 15,130             | 16,643 | 20,800                        | 2             | 1140               | 14,230 | 15,653 | 18,800 |
| AL2S-45103   | 38.8            | 1.5          | 1140          | 30           | 18,230             | 20,053 | 22,800        | 588                      | 2                             | 1140          | 17,940             | 19,734 | 22,200                        | 3             | 1140               | 17,940 | 19,734 | 22,200 |
| AL2S-4564    | 38.8            | 1            | 1140          | 30           | 14,490             | 15,939 | 21,000        | 542                      | 2                             | 1140          | 15,310             | 16,841 | 23,200                        | 3             | 1140               | 15,450 | 16,995 | 23,600 |
| AL2S-4584    | 38.8            | 1.5          | 1140          | 30           | 18,260             | 20,086 | 23,000        | 594                      | 2                             | 1140          | 17,960             | 19,756 | 22,400                        | 3             | 1140               | 18,050 | 19,855 | 22,600 |
| AL2S-45104   | 38.8            | 2            | 1140          | 30           | 20,630             | 22,693 | 23,000        | 594                      | 2                             | 1140          | 19,650             | 21,615 | 21,400                        | 3             | 1140               | 19,530 | 21,483 | 21,200 |
| AL2S-4563    | 38.8            | 3            | 1140          | 30           | 14,820             | -      | 29,400        | 759                      | 5                             | 1750          | 15,460             | -      | 32,000                        | 5             | 1750               | 15,170 | -      | 30,800 |
| AL2S-4583    | 38.8            | 3            | 1140          | 30           | 18,130             | -      | 28,600        | 738                      | 5                             | 1750          | 19,140             | -      | 31,600                        | 5             | 1750               | 18,750 | -      | 30,400 |
| AL2S-45103   | 38.8            | 3            | 1140          | 30           | 20,480             | -      | 27,600        | 712                      | 5                             | 1750          | 22,100             | -      | 31,400                        | 5             | 1750               | 21,280 | -      | 29,400 |
| AL2S-4564    | 38.8            | 3            | 1140          | 30           | 17,160             | -      | 28,800        | 743                      | 5                             | 1750          | 18,000             | -      | 31,600                        | 5             | 1750               | 17,660 | -      | 30,400 |
| AL2S-4584    | 38.8            | 3            | 1140          | 30           | 20,500             | -      | 28,000        | 723                      | 5                             | 1750          | 21,700             | -      | 31,000                        | 5             | 1750               | 21,300 | -      | 30,000 |
| AL2S-45104   | 38.8            | 3            | 1140          | 30           | 22,640             | -      | 26,600        | 686                      | 5                             | 1750          | 24,700             | -      | 30,600                        | 5             | 1750               | 23,890 | -      | 29,000 |
| AL2S-4563    | 38.8            | 7.5          | 1750          | 30           | 17,060             | -      | 39,200        | 1,012                    | 7.5                           | 1750          | 16,810             | -      | 38,000                        | 7.5           | 1750               | 16,550 | -      | 36,800 |
| AL2S-4583    | 38.8            | 7.5          | 1750          | 30           | 21,270             | -      | 38,600        | 996                      | 7.5                           | 1750          | 20,870             | -      | 37,200                        | 7.5           | 1750               | 20,510 | -      | 36,000 |
| AL2S-45103   | 38.8            | 7.5          | 1750          | 30           | 24,440             | -      | 37,400        | 965                      | 7.5                           | 1750          | 23,990             | -      | 36,200                        | 7.5           | 1750               | 23,460 | -      | 34,800 |
| AL2S-4564    | 38.8            | 7.5          | 1750          | 30           | 19,930             | -      | 38,800        | 1,001                    | 7.5                           | 1750          | 19,580             | -      | 37,400                        | 7.5           | 1750               | 19,260 | -      | 36,200 |
| AL2S-4584    | 38.8            | 7.5          | 1750          | 30           | 24,170             | -      | 37,800        | 975                      | 7.5                           | 1750          | 23,770             | -      | 36,600                        | 7.5           | 1750               | 23,260 | -      | 35,200 |
| AL2S-45104   | 38.8            | 7.5          | 1750          | 30           | 27,470             | -      | 36,600        | 945                      | 7.5                           | 1750          | 26,840             | -      | 35,200                        | 7.5           | 1750               | 26,210 | -      | 33,800 |
| AL2S-4963    | 42.6            | 0.75         | 1140          | 36           | 13,960             | 15,356 | 23,800        | 558                      | 1.5                           | 1140          | 14,500             | 15,950 | 25,600                        | 2             | 1140               | 14,440 | 15,884 | 25,400 |
| AL2S-4983    | 42.6            | 0.75         | 1140          | 36           | 16,700             | 18,370 | 23,000        | 540                      | 1.5                           | 1140          | 17,530             | 19,283 | 25,000                        | 2             | 1140               | 17,360 | 19,096 | 24,600 |
| AL2S-49103   | 42.6            | 0.75         | 1140          | 36           | 18,470             | 20,317 | 22,000        | 516                      | 2                             | 1140          | 20,410             | 22,451 | 25,800                        | 3             | 1140               | 20,410 | 22,451 | 25,800 |
| AL2S-4964    | 42.6            | 0.75         | 1140          | 36           | 15,980             | 17,578 | 23,200        | 544                      | 1.5                           | 1140          | 16,660             | 18,326 | 25,000                        | 2             | 1140               | 16,580 | 18,238 | 24,800 |
| AL2S-4984    | 42.6            | 0.75         | 1140          | 36           | 18,520             | 20,372 | 22,200        | 521                      | 1.5                           | 1140          | 19,540             | 21,494 | 24,200                        | 2             | 1140               | 19,250 | 21,175 | 23,600 |
| AL2S-49104   | 42.6            | 1.5          | 1140          | 36           | 22,620             | 24,882 | 25,200        | 591                      | 2                             | 1140          | 22,870             | 25,157 | 25,600                        | 3             | 1140               | 22,970 | 25,267 | 25,800 |
| AL2S-4963    | 42.6            | 3            | 1140          | 36           | 17,090             | -      | 35,600        | 835                      | 3                             | 1140          | 16,950             | -      | 35,000                        | 5             | 1140               | 16,810 | -      | 34,400 |
| AL2S-4983    | 42.6            | 3            | 1140          | 36           | 20,870             | -      | 34,200        | 802                      | 3                             | 1140          | 20,540             | -      | 33,200                        | 5             | 1140               | 21,260 | -      | 35,400 |
| AL2S-49103   | 42.6            | 3            | 1140          | 36           | 24,420             | -      | 34,800        | 816                      | 5                             | 1140          | 24,170             | -      | 34,200                        | 5             | 1750               | 24,980 | -      | 36,200 |
| AL2S-4964    | 42.6            | 3            | 1140          | 36           | 19,760             | -      | 34,600        | 812                      | 3                             | 1140          | 19,460             | -      | 33,600                        | 5             | 1140               | 20,040 | -      | 35,600 |
| AL2S-4984    | 42.6            | 3            | 1140          | 36           | 23,430             | -      | 33,000        | 774                      | 5                             | 1140          | 24,070             | -      | 34,600                        | 5             | 1750               | 24,890 | -      | 36,800 |
| AL2S-49104   | 42.6            | 5            | 1140          | 36           | 27,910             | -      | 35,200        | 826                      | 5                             | 1140          | 27,630             | -      | 34,600                        | 5             | 1750               | 27,710 | -      | 34,800 |
| AL2S-4963    | 42.6            | 5            | 1140          | 36           | 18,780             | -      | 43,200        | 1,013                    | 5                             | 1750          | 18,570             | -      | 42,200                        | 5             | 1750               | 17,920 | -      | 39,200 |
| AL2S-4983    | 42.6            | 5            | 1140          | 36           | 23,150             | -      | 41,600        | 976                      | 7.5                           | 1750          | 24,490             | -      | 46,400                        | 7.5           | 1750               | 23,940 | -      | 44,400 |
| AL2S-49103   | 42.6            | 7.5          | 1140          | 36           | 27,850             | -      | 43,800        | 1,028                    | 7.5                           | 1750          | 27,990             | -      | 44,200                        | 7.5           | 1750               | 27,270 | -      | 42,200 |
| AL2S-4964    | 42.6            | 5            | 1140          | 36           | 21,750             | -      | 42,000        | 985                      | 7.5                           | 1750          | 22,920             | -      | 46,800                        | 7.5           | 1750               | 22,450 | -      | 44,800 |
| AL2S-4984    | 42.6            | 7.5          | 1140          | 36           | 27,650             | -      | 44,800        | 1,051                    | 7.5                           | 1750          | 27,720             | -      | 45,000                        | 7.5           | 1750               | 27,000 | -      | 42,800 |
| AL2S-49104   | 42.6            | 7.5          | 1140          | 36           | 30,700             | -      | 41,400        | 971                      | 7.5                           | 1750          | 31,210             | -      | 42,600                        | 7.5           | 1750               | 30,280 | -      | 40,400 |
| AL2S-5463    | 46.5            | 1.5          | 1140          | 36           | 15,830             | 17,413 | 28,000        | 602                      | 2                             | 1140          | 15,650             | 17,215 | 27,400                        | 3             | 1140               | 15,650 | 17,215 | 27,400 |
| AL2S-5483    | 46.5            | 1.5          | 1140          | 36           | 19,410             | 21,351 | 28,000        | 602                      | 2                             | 1140          | 19,570             | 21,527 | 28,400                        | 3             | 1140               | 19,260 | 21,186 | 27,600 |
| AL2S-54103   | 46.5            | 1.5          | 1140          | 36           | 21,900             | 24,090 | 27,600        | 589                      | 2                             | 1140          | 22,020             | 24,222 | 27,600                        | 3             | 1140               | 22,200 | 24,420 | 28,000 |
| AL2S-5464    | 46.5            | 1.5          | 1140          | 36           | 18,430             | 20,273 | 28,000        | 602                      | 2                             | 1140          | 18,640             | 20,504 | 28,600                        | 3             | 1140               | 18,360 | 20,196 | 27,800 |
| AL2S-5484    | 46.5            | 1.5          | 1140          | 36           | 21,910             | 24,101 | 27,600        | 594                      | 2                             | 1140          | 22,000             | 24,200 | 27,800                        | 3             | 1140               | 22,290 | 24,519 | 28,400 |
| AL2S-54104   | 46.5            | 2            | 1140          | 36           | 24,760             | 27,236 | 27,600        | 594                      | 3                             | 1140          | 24,760             | 27,236 | 27,600                        | 3             | 1140               | 24,260 | 26,686 | 26,800 |
| AL2S-5463    | 46.5            | 2            | 1140          | 42           | 18,460             | -      | 38,000        | 817                      | 3                             | 1140          | 18,450             | -      | 38,000                        | 5             | 1140               | 18,970 | -      | 40,200 |
| AL2S-5483    | 46.5            | 3            | 1140          | 42           | 23,700             | -      | 40,200        | 865                      | 5                             | 1140          | 24,140             | -      | 41,600                        | 5             | 1140               | 24,010 | -      | 41,200 |
| AL2S-54103   | 46.5            | 3            | 1140          | 42           | 26,500             | -      | 37,600        | 809                      | 5                             | 1140          | 27,310             | -      | 39,600                        | 5             | 1140               | 27,070 | -      | 39,000 |
| AL2S-5464    | 46.5            | 3            | 1140          | 42           | 22,350             | -      | 40,600        | 873                      | 5                             | 1140          | 22,800             | -      | 42,200                        | 5             | 1140               | 22,630 | -      | 41,600 |
| AL2S-5484    | 46.5            | 3            | 1140          | 42           | 26,510             | -      | 38,400        | 826                      | 5                             | 1140          | 27,260             | -      | 40,400                        | 5             | 1140               | 26,960 | -      | 39,600 |
| AL2S-54104   | 46.5            | 5            | 1140          | 42           | 31,110             | -      | 39,800        | 856                      | 5                             | 1140          | 31,190             | -      | 40,000                        | 7.5           | 1140               | 31,190 | -      | 40,000 |
| AL2S-5463    | 46.5            | 5            | 1140          | 42           | 20,920             | -      | 49,200        | 1,058                    | 7.5                           | 1140          | 21,200             | -      | 50,600                        | 7.5           | 1140               | 20,590 | -      | 47,600 |
| AL2S-5483    | 46.5            | 5            | 1140          | 42           | 25,600             | -      | 46,600        | 1,002                    | 7.5                           | 1140          | 26,600             | -      | 50,200                        | 7.5           | 1140               | 25,600 | -      | 46,600 |
| AL2S-54103   | 46.5            | 7.5          | 1140          | 42           | 31,090             | -      | 49,800        | 1,071                    | 7.5                           | 1140          | 30,020             | -      | 46,800                        | 7.5           | 1750               | 30,600 | -      | 48,400 |
| AL2S-5464    | 46.5            | 5            | 1140          | 42           | 24,080             | -      | 47,200        | 1,015                    | 7.5                           | 1140          | 24,940             | -      | 50,800                        | 7.5           | 1140               | 24,080 | -      | 47,200 |
| AL2S-5484    | 46.5            | 5            | 1140          | 42           | 29,090             | -      | 45,600        | 981                      | 7.5                           | 1140          | 29,820             | -      | 47,800                        | 7.5           | 1750               | 30,330 | -      | 49,400 |
| AL2S-54104   | 46.5            | 7.5          | 1140          | 42           | 34,360             | -      | 47,200        | 1,015                    | 7.5                           | 1750          | 34,930             | -      | 48,600                        | 7.5           | 1750               | 33,850 | -      | 46,000 |



## Performance Data (continued)



Refrigeration

| Model Number | Face Area (ft <sup>2</sup> ) | 0" ESP       |               |              |                    |        |               |                          | 0.25" ESP/45° Down/Long Throw |               |                    |        |               | 0.5" ESP/90° Down (Penthouse) |               |                    |        |               |
|--------------|------------------------------|--------------|---------------|--------------|--------------------|--------|---------------|--------------------------|-------------------------------|---------------|--------------------|--------|---------------|-------------------------------|---------------|--------------------|--------|---------------|
|              |                              | Fan Pwr (HP) | Fan Spd (RPM) | Fan Dia (in) | Capacity (BTUH/°F) |        | Airflow (CFM) | Avg. Face Velocity (FPM) | Fan Pwr (HP)                  | Fan Spd (RPM) | Capacity (BTUH/°F) |        | Airflow (CFM) | Fan Pwr (HP)                  | Fan Spd (RPM) | Capacity (BTUH/°F) |        | Airflow (CFM) |
|              |                              |              |               |              | Frosted            | Wet    |               |                          |                               |               | Frosted            | Wet    |               |                               |               | Frosted            | Wet    |               |
| AL2S-5863    | 50.4                         | 1.5          | 1140          | 36           | 16,820             | 18,502 | 29,200        | 580                      | 2                             | 1140          | 17,120             | 18,832 | 30,200        | 3                             | 1140          | 17,160             | 18,876 | 30,400        |
| AL2S-5883    | 50.4                         | 2            | 1140          | 36           | 20,660             | 22,726 | 29,400        | 584                      | 2                             | 1140          | 20,660             | 22,726 | 29,400        | 3                             | 1140          | 20,740             | 22,814 | 29,600        |
| AL2S-58103   | 50.4                         | 2            | 1140          | 36           | 23,200             | 25,520 | 28,600        | 568                      | 3                             | 1140          | 23,900             | 26,290 | 30,000        | 3                             | 1140          | 23,400             | 25,740 | 29,000        |
| AL2S-5864    | 50.4                         | 2            | 1140          | 36           | 19,630             | 21,593 | 29,400        | 584                      | 2                             | 1140          | 19,630             | 21,593 | 29,400        | 3                             | 1140          | 19,780             | 21,758 | 29,800        |
| AL2S-5884    | 50.4                         | 2            | 1140          | 36           | 23,200             | 25,520 | 28,800        | 572                      | 3                             | 1140          | 23,880             | 26,268 | 30,200        | 3                             | 1140          | 23,490             | 25,839 | 29,400        |
| AL2S-58104   | 50.4                         | 2            | 1140          | 36           | 27,000             | 29,700 | 30,200        | 600                      | 3                             | 1140          | 27,090             | 29,799 | 30,400        | 3                             | 1140          | 25,550             | 28,105 | 27,800        |
| AL2S-5863    | 50.4                         | 3            | 1140          | 42           | 20,430             | -      | 43,000        | 854                      | 5                             | 1140          | 21,100             | -      | 46,000        | 5                             | 1140          | 20,600             | -      | 43,800        |
| AL2S-5883    | 50.4                         | 3            | 1140          | 42           | 24,990             | -      | 41,400        | 822                      | 5                             | 1140          | 25,740             | -      | 43,800        | 5                             | 1140          | 25,250             | -      | 42,200        |
| AL2S-58103   | 50.4                         | 5            | 1140          | 42           | 30,080             | -      | 44,200        | 877                      | 5                             | 1140          | 29,710             | -      | 43,200        | 7.5                           | 1140          | 30,400             | -      | 45,000        |
| AL2S-5864    | 50.4                         | 3            | 1140          | 42           | 23,610             | -      | 41,800        | 830                      | 5                             | 1140          | 24,760             | -      | 46,000        | 5                             | 1140          | 23,840             | -      | 42,600        |
| AL2S-5884    | 50.4                         | 5            | 1140          | 42           | 30,260             | -      | 45,800        | 909                      | 5                             | 1140          | 29,600             | -      | 44,000        | 7.5                           | 1140          | 30,260             | -      | 45,800        |
| AL2S-58104   | 50.4                         | 5            | 1140          | 42           | 33,370             | -      | 42,400        | 842                      | 5                             | 1140          | 32,890             | -      | 41,400        | 7.5                           | 1140          | 33,370             | -      | 42,400        |
| AL2S-5863    | 50.4                         | 7.5          | 1140          | 42           | 22,890             | -      | 54,400        | 1,080                    | 7.5                           | 1140          | 22,810             | -      | 54,000        | 7.5                           | 1140          | 22,020             | -      | 50,200        |
| AL2S-5883    | 50.4                         | 7.5          | 1140          | 42           | 28,980             | -      | 55,000        | 1,092                    | 7.5                           | 1140          | 28,100             | -      | 51,800        | 7.5                           | 1140          | 27,020             | -      | 48,000        |
| AL2S-58103   | 50.4                         | 7.5          | 1140          | 42           | 32,840             | -      | 51,600        | 1,024                    | 7.5                           | 1750          | 33,340             | -      | 53,000        | 7.5                           | 1750          | 32,280             | -      | 50,000        |
| AL2S-5864    | 50.4                         | 7.5          | 1140          | 42           | 27,160             | -      | 55,600        | 1,104                    | 7.5                           | 1140          | 26,390             | -      | 52,400        | 7.5                           | 1140          | 25,450             | -      | 48,600        |
| AL2S-5884    | 50.4                         | 7.5          | 1140          | 42           | 32,630             | -      | 52,800        | 1,048                    | 7.5                           | 1140          | 31,520             | -      | 49,400        | 7.5                           | 1750          | 32,040             | -      | 51,000        |
| AL2S-58104   | 50.4                         | 7.5          | 1140          | 42           | 36,330             | -      | 49,000        | 973                      | 7.5                           | 1750          | 36,900             | -      | 50,400        | 7.5                           | 1750          | 35,720             | -      | 47,600        |
| AL2S-6363    | 54.3                         | 2            | 1140          | 36           | 17,740             | 19,514 | 30,200        | 557                      | 3                             | 1140          | 18,730             | 20,603 | 33,600        | 3                             | 1140          | 18,390             | 20,229 | 32,400        |
| AL2S-6383    | 54.3                         | 2            | 1140          | 36           | 22,710             | 24,981 | 32,800        | 605                      | 3                             | 1140          | 22,710             | 24,981 | 32,800        | 3                             | 1140          | 22,050             | 24,255 | 31,200        |
| AL2S-63103   | 54.3                         | 3            | 1140          | 36           | 25,770             | 28,347 | 32,400        | 597                      | 3                             | 1140          | 25,360             | 27,896 | 31,600        | 3                             | 1140          | 24,450             | 26,895 | 29,800        |
| AL2S-6364    | 54.3                         | 2            | 1140          | 36           | 21,610             | 23,771 | 33,000        | 608                      | 3                             | 1140          | 21,610             | 23,771 | 33,000        | 3                             | 1140          | 21,050             | 23,155 | 31,400        |
| AL2S-6384    | 54.3                         | 3            | 1140          | 36           | 25,740             | 28,314 | 32,600        | 601                      | 3                             | 1140          | 25,460             | 28,006 | 32,000        | 3                             | 1140          | 24,470             | 26,917 | 30,000        |
| AL2S-63104   | 54.3                         | 3            | 1140          | 36           | 28,760             | 31,636 | 32,000        | 590                      | 3                             | 1140          | 29,110             | 32,021 | 32,600        | 5                             | 1140          | 29,330             | 32,263 | 33,000        |
| AL2S-6363    | 54.3                         | 3            | 1140          | 42           | 21,450             | -      | 44,000        | 811                      | 5                             | 1140          | 22,390             | -      | 48,000        | 7.5                           | 1140          | 22,650             | -      | 49,200        |
| AL2S-6383    | 54.3                         | 5            | 1140          | 42           | 28,360             | -      | 49,200        | 907                      | 5                             | 1140          | 27,490             | -      | 46,400        | 7.5                           | 1140          | 27,930             | -      | 47,800        |
| AL2S-63103   | 54.3                         | 5            | 1140          | 42           | 32,250             | -      | 47,200        | 870                      | 7.5                           | 1140          | 32,710             | -      | 48,400        | 7.5                           | 1140          | 31,930             | -      | 46,400        |
| AL2S-6364    | 54.3                         | 5            | 1140          | 42           | 26,740             | -      | 49,800        | 918                      | 5                             | 1140          | 25,930             | -      | 46,800        | 7.5                           | 1140          | 26,300             | -      | 48,200        |
| AL2S-6384    | 54.3                         | 5            | 1140          | 42           | 32,120             | -      | 48,000        | 885                      | 7.5                           | 1140          | 32,550             | -      | 49,200        | 7.5                           | 1140          | 31,820             | -      | 47,200        |
| AL2S-63104   | 54.3                         | 5            | 1140          | 42           | 35,810             | -      | 45,400        | 837                      | 7.5                           | 1140          | 36,820             | -      | 47,600        | 7.5                           | 1140          | 35,140             | -      | 44,000        |
| AL2S-6363    | 54.3                         | 7.5          | 1140          | 42           | 24,600             | -      | 58,400        | 1,076                    | 7.5                           | 1140          | 23,910             | -      | 55,000        | 7.5                           | 1750          | 24,280             | -      | 56,800        |
| AL2S-6383    | 54.3                         | 7.5          | 1140          | 42           | 30,380             | -      | 56,200        | 1,036                    | 7.5                           | 1140          | 29,480             | -      | 53,000        | 7.5                           | 1750          | 29,930             | -      | 54,600        |
| AL2S-63103   | 54.3                         | 7.5          | 1140          | 42           | 34,590             | -      | 53,400        | 984                      | 7.5                           | 1750          | 35,020             | -      | 54,600        | 7.5                           | 1750          | 33,850             | -      | 51,400        |
| AL2S-6364    | 54.3                         | 7.5          | 1140          | 42           | 28,510             | -      | 56,800        | 1,047                    | 7.5                           | 1140          | 27,720             | -      | 53,600        | 7.5                           | 1750          | 28,130             | -      | 55,200        |
| AL2S-6384    | 54.3                         | 7.5          | 1140          | 42           | 34,270             | -      | 54,200        | 999                      | 7.5                           | 1750          | 34,740             | -      | 55,600        | 7.5                           | 1750          | 33,670             | -      | 52,400        |
| AL2S-63104   | 54.3                         | 7.5          | 1140          | 42           | 38,250             | -      | 50,800        | 936                      | 7.5                           | 1750          | 38,790             | -      | 52,000        | 7.5                           | 1750          | 37,550             | -      | 49,200        |

## Physical Data

| Model Number | Face Area (ft <sup>2</sup> ) | Rows Deep | Coil Vol. (ft <sup>3</sup> ) | L x D x H (in)        | Fin Density: 3 fpi           |                        |            |              | Fin Density: 4 fpi           |                        |            |              |
|--------------|------------------------------|-----------|------------------------------|-----------------------|------------------------------|------------------------|------------|--------------|------------------------------|------------------------|------------|--------------|
|              |                              |           |                              |                       | Surf Area (ft <sup>2</sup> ) | Est. Shipping Wt (std) |            |              | Surf Area (ft <sup>2</sup> ) | Est. Shipping Wt (std) |            |              |
|              |                              |           |                              |                       |                              | Galv (lbs)             | Alum (lbs) | SST-Al (lbs) |                              | Galv (lbs)             | Alum (lbs) | SST-Al (lbs) |
| AL2S-456X    | 38.8                         | 6         | 5.3                          | 154 x 53 1/4 x 49 1/2 | 2,579                        | 3,259                  | 1,857      | 1,920        | 3,338                        | 3,581                  | 1,935      | 1,991        |
| AL2S-458X    | 38.8                         | 8         | 6.8                          | 154 x 53 1/4 x 49 1/2 | 3,439                        | 3,771                  | 2,021      | 2,128        | 4,450                        | 4,195                  | 2,125      | 2,222        |
| AL2S-4510X   | 38.8                         | 10        | 8.3                          | 154 x 53 1/4 x 49 1/2 | 4,299                        | 4,283                  | 2,185      | 2,336        | 5,563                        | 4,808                  | 2,315      | 2,454        |
| AL2S-496X    | 42.6                         | 6         | 5.8                          | 154 x 53 1/4 x 54     | 2,837                        | 3,717                  | 2,192      | 2,247        | 3,672                        | 4,070                  | 2,277      | 2,325        |
| AL2S-498X    | 42.6                         | 8         | 7.5                          | 154 x 53 1/4 x 54     | 3,783                        | 4,280                  | 2,372      | 2,476        | 4,896                        | 4,745                  | 2,486      | 2,579        |
| AL2S-4910X   | 42.6                         | 10        | 9.2                          | 154 x 53 1/4 x 54     | 4,729                        | 4,843                  | 2,553      | 2,704        | 6,120                        | 5,420                  | 2,695      | 2,834        |
| AL2S-546X    | 46.5                         | 6         | 6.3                          | 154 x 53 1/4 x 58 1/2 | 3,095                        | 3,940                  | 2,292      | 2,361        | 4,005                        | 4,325                  | 2,385      | 2,446        |
| AL2S-548X    | 46.5                         | 8         | 8.2                          | 154 x 53 1/4 x 58 1/2 | 4,127                        | 4,554                  | 2,489      | 2,611        | 5,340                        | 5,061                  | 2,613      | 2,724        |
| AL2S-5410X   | 46.5                         | 10        | 10                           | 154 x 53 1/4 x 58 1/2 | 5,158                        | 5,169                  | 2,686      | 2,860        | 6,675                        | 5,797                  | 2,841      | 3,001        |
| AL2S-586X    | 50.4                         | 6         | 6.8                          | 154 x 53 1/4 x 63     | 3,353                        | 4,160                  | 2,389      | 2,472        | 4,339                        | 4,576                  | 2,490      | 2,564        |
| AL2S-588X    | 50.4                         | 8         | 8.8                          | 154 x 53 1/4 x 63     | 4,471                        | 4,825                  | 2,602      | 2,742        | 5,786                        | 5,374                  | 2,737      | 2,865        |
| AL2S-5810X   | 50.4                         | 10        | 10.8                         | 154 x 53 1/4 x 63     | 5,589                        | 5,491                  | 2,816      | 3,013        | 7,232                        | 6,171                  | 2,984      | 3,166        |
| AL2S-636X    | 54.3                         | 6         | 7.4                          | 154 x 53 1/4 x 67 1/2 | 3,611                        | 4,380                  | 2,486      | 2,583        | 4,673                        | 4,827                  | 2,595      | 2,682        |
| AL2S-638X    | 54.3                         | 8         | 9.5                          | 154 x 53 1/4 x 67 1/2 | 4,814                        | 5,097                  | 2,716      | 2,874        | 6,230                        | 5,686                  | 2,861      | 3,006        |
| AL2S-6310X   | 54.3                         | 10        | 11.7                         | 154 x 53 1/4 x 67 1/2 | 6,018                        | 5,813                  | 2,945      | 3,165        | 7,788                        | 6,545                  | 3,127      | 3,330        |

...because temperature matters™



# Engineering Data

## Models AL3S-4563 to AL3S-63104

Do not use for construction. Refer to factory certified dimensions. This handbook includes data current at the time of publication, which should be reconfirmed at the time of purchase.

Aircoil™ Evaporators

| Model Number | Face Area (ft²) | Fan Pwr (HP) | Fan Spd (RPM) | Fan Dia (in) | 0" ESP             |        |               |                          | 0.25" ESP/45° Down/Long Throw |               |                    |        | 0.5" ESP/90° Down (Penthouse) |              |               |                    |        |               |
|--------------|-----------------|--------------|---------------|--------------|--------------------|--------|---------------|--------------------------|-------------------------------|---------------|--------------------|--------|-------------------------------|--------------|---------------|--------------------|--------|---------------|
|              |                 |              |               |              | Capacity (BTUH/°F) |        | Airflow (CFM) | Avg. Face Velocity (FPM) | Fan Pwr (HP)                  | Fan Spd (RPM) | Capacity (BTUH/°F) |        | Airflow (CFM)                 | Fan Pwr (HP) | Fan Spd (RPM) | Capacity (BTUH/°F) |        | Airflow (CFM) |
|              |                 |              |               |              | Frosted            | Wet    |               |                          |                               |               | Frosted            | Wet    |                               |              |               | Frosted            | Wet    |               |
| AL3S-4563    | 58.1            | 1            | 1140          | 30           | 18,840             | 20,724 | 31,800        | 547                      | 1.5                           | 1140          | 18,920             | 20,812 | 32,100                        | 2            | 1140          | 18,090             | 19,899 | 29,400        |
| AL3S-45 83   | 58.1            | 1            | 1140          | 30           | 22,690             | 24,959 | 31,200        | 537                      | 1.5                           | 1140          | 22,690             | 24,959 | 31,200                        | 2            | 1140          | 21,350             | 23,485 | 28,200        |
| AL3S-45103   | 58.1            | 1.5          | 1140          | 30           | 27,350             | 30,085 | 34,200        | 588                      | 2                             | 1140          | 26,910             | 29,601 | 33,300                        | 3            | 1140          | 26,910             | 29,601 | 33,300        |
| AL3S-4564    | 58.1            | 1            | 1140          | 30           | 21,740             | 23,914 | 31,500        | 542                      | 2                             | 1140          | 22,970             | 25,267 | 34,800                        | 3            | 1140          | 23,180             | 25,498 | 35,400        |
| AL3S-4584    | 58.1            | 1.5          | 1140          | 30           | 27,390             | 30,129 | 34,500        | 594                      | 2                             | 1140          | 26,940             | 29,634 | 33,600                        | 3            | 1140          | 27,080             | 29,788 | 33,900        |
| AL3S-45104   | 58.1            | 2            | 1140          | 30           | 30,950             | 34,045 | 34,500        | 594                      | 2                             | 1140          | 29,480             | 32,428 | 32,100                        | 3            | 1140          | 29,300             | 32,230 | 31,800        |
| AL3S-4563    | 58.1            | 3            | 1140          | 30           | 22,240             | -      | 44,100        | 759                      | 5                             | 1750          | 23,190             | -      | 48,000                        | 5            | 1750          | 22,750             | -      | 46,200        |
| AL3S-4583    | 58.1            | 3            | 1140          | 30           | 27,200             | -      | 42,900        | 738                      | 5                             | 1750          | 28,700             | -      | 47,400                        | 5            | 1750          | 28,130             | -      | 45,600        |
| AL3S-45103   | 58.1            | 3            | 1140          | 30           | 30,730             | -      | 41,400        | 712                      | 5                             | 1750          | 33,150             | -      | 47,100                        | 5            | 1750          | 31,910             | -      | 44,100        |
| AL3S-4564    | 58.1            | 3            | 1140          | 30           | 25,750             | -      | 43,200        | 743                      | 5                             | 1750          | 26,990             | -      | 47,400                        | 5            | 1750          | 26,480             | -      | 45,600        |
| AL3S-4584    | 58.1            | 3            | 1140          | 30           | 30,750             | -      | 42,000        | 723                      | 5                             | 1750          | 32,550             | -      | 46,500                        | 5            | 1750          | 31,960             | -      | 45,000        |
| AL3S-45104   | 58.1            | 3            | 1140          | 30           | 33,960             | -      | 39,900        | 686                      | 5                             | 1750          | 37,050             | -      | 45,900                        | 5            | 1750          | 35,840             | -      | 43,500        |
| AL3S-4563    | 58.1            | 7.5          | 1750          | 30           | 25,600             | -      | 58,800        | 1,012                    | 7.5                           | 1750          | 25,210             | -      | 57,000                        | 7.5          | 1750          | 24,830             | -      | 55,200        |
| AL3S-4583    | 58.1            | 7.5          | 1750          | 30           | 31,900             | -      | 57,900        | 996                      | 7.5                           | 1750          | 31,300             | -      | 55,800                        | 7.5          | 1750          | 30,770             | -      | 54,000        |
| AL3S-45103   | 58.1            | 7.5          | 1750          | 30           | 36,650             | -      | 56,100        | 965                      | 7.5                           | 1750          | 35,980             | -      | 54,300                        | 7.5          | 1750          | 35,190             | -      | 52,200        |
| AL3S-4564    | 58.1            | 7.5          | 1750          | 30           | 29,890             | -      | 58,200        | 1001                     | 7.5                           | 1750          | 29,360             | -      | 56,100                        | 7.5          | 1750          | 28,900             | -      | 54,300        |
| AL3S-4584    | 58.1            | 7.5          | 1750          | 30           | 36,250             | -      | 56,700        | 975                      | 7.5                           | 1750          | 35,650             | -      | 54,900                        | 7.5          | 1750          | 34,890             | -      | 52,800        |
| AL3S-45104   | 58.1            | 7.5          | 1750          | 30           | 41,210             | -      | 54,900        | 945                      | 7.5                           | 1750          | 40,260             | -      | 52,800                        | 7.5          | 1750          | 39,310             | -      | 50,700        |
| AL3S-4963    | 63.9            | 0.75         | 1140          | 36           | 20,930             | 23,023 | 35,700        | 558                      | 1.5                           | 1140          | 21,750             | 23,925 | 38,400                        | 2            | 1140          | 21,650             | 23,815 | 38,100        |
| AL3S-4983    | 63.9            | 0.75         | 1140          | 36           | 25,050             | 27,555 | 34,500        | 540                      | 1.5                           | 1140          | 26,300             | 28,930 | 37,500                        | 2            | 1140          | 26,040             | 28,644 | 36,900        |
| AL3S-49103   | 63.9            | 0.75         | 1140          | 36           | 27,710             | 30,481 | 33,000        | 516                      | 2                             | 1140          | 30,620             | 33,682 | 38,700                        | 3            | 1140          | 30,620             | 33,682 | 38,700        |
| AL3S-4964    | 63.9            | 0.75         | 1140          | 36           | 23,960             | 26,356 | 34,800        | 544                      | 1.5                           | 1140          | 24,990             | 27,489 | 37,500                        | 2            | 1140          | 24,870             | 27,357 | 37,200        |
| AL3S-4984    | 63.9            | 0.75         | 1140          | 36           | 27,780             | 30,558 | 33,300        | 521                      | 1.5                           | 1140          | 29,320             | 32,252 | 36,300                        | 2            | 1140          | 28,870             | 31,757 | 35,400        |
| AL3S-49104   | 63.9            | 1.5          | 1140          | 36           | 33,930             | 37,323 | 37,800        | 591                      | 2                             | 1140          | 34,310             | 37,741 | 38,400                        | 3            | 1140          | 34,460             | 37,906 | 38,700        |
| AL3S-4963    | 63.9            | 3            | 1140          | 36           | 25,640             | -      | 53,400        | 835                      | 3                             | 1140          | 25,430             | -      | 52,500                        | 5            | 1140          | 25,210             | -      | 51,600        |
| AL3S-4983    | 63.9            | 3            | 1140          | 36           | 31,300             | -      | 51,300        | 802                      | 3                             | 1140          | 30,810             | -      | 49,800                        | 5            | 1140          | 31,880             | -      | 53,100        |
| AL3S-49103   | 63.9            | 3            | 1140          | 36           | 36,620             | -      | 52,200        | 816                      | 5                             | 1140          | 36,260             | -      | 51,300                        | 5            | 1750          | 37,480             | -      | 54,300        |
| AL3S-4964    | 63.9            | 3            | 1140          | 36           | 29,640             | -      | 51,900        | 812                      | 3                             | 1140          | 29,190             | -      | 50,400                        | 5            | 1140          | 30,060             | -      | 53,400        |
| AL3S-4984    | 63.9            | 3            | 1140          | 36           | 35,150             | -      | 49,500        | 774                      | 5                             | 1140          | 36,110             | -      | 51,900                        | 5            | 1750          | 37,340             | -      | 55,200        |
| AL3S-49104   | 63.9            | 5            | 1140          | 36           | 41,870             | -      | 52,800        | 826                      | 5                             | 1140          | 41,440             | -      | 51,900                        | 5            | 1750          | 41,560             | -      | 52,200        |
| AL3S-4963    | 63.9            | 5            | 1140          | 36           | 28,170             | -      | 64,800        | 1,013                    | 5                             | 1750          | 27,860             | -      | 63,300                        | 5            | 1750          | 26,890             | -      | 58,800        |
| AL3S-4983    | 63.9            | 5            | 1140          | 36           | 34,720             | -      | 62,400        | 976                      | 7.5                           | 1750          | 36,730             | -      | 69,600                        | 7.5          | 1750          | 35,920             | -      | 66,600        |
| AL3S-49103   | 63.9            | 7.5          | 1140          | 36           | 41,780             | -      | 65,700        | 1,028                    | 7.5                           | 1750          | 41,980             | -      | 66,300                        | 7.5          | 1750          | 40,900             | -      | 63,300        |
| AL3S-4964    | 63.9            | 5            | 1140          | 36           | 32,630             | -      | 63,000        | 985                      | 7.5                           | 1750          | 34,380             | -      | 70,200                        | 7.5          | 1750          | 33,670             | -      | 67,200        |
| AL3S-4984    | 63.9            | 7.5          | 1140          | 36           | 41,480             | -      | 67,200        | 1,051                    | 7.5                           | 1750          | 41,580             | -      | 67,500                        | 7.5          | 1750          | 40,500             | -      | 64,200        |
| AL3S-49104   | 63.9            | 7.5          | 1140          | 36           | 46,050             | -      | 62,100        | 971                      | 7.5                           | 1750          | 46,810             | -      | 63,900                        | 7.5          | 1750          | 45,420             | -      | 60,600        |
| AL3S-5463    | 69.8            | 1.5          | 1140          | 36           | 23,740             | 26,114 | 42,000        | 602                      | 2                             | 1140          | 23,480             | 25,828 | 41,100                        | 3            | 1140          | 23,480             | 25,828 | 41,100        |
| AL3S-5483    | 69.8            | 1.5          | 1140          | 36           | 29,110             | 32,021 | 42,000        | 602                      | 2                             | 1140          | 29,360             | 32,296 | 42,600                        | 3            | 1140          | 28,890             | 31,779 | 41,400        |
| AL3S-54103   | 69.8            | 1.5          | 1140          | 36           | 32,850             | 36,135 | 41,100        | 589                      | 2                             | 1140          | 33,030             | 36,333 | 41,400                        | 3            | 1140          | 33,300             | 36,630 | 42,000        |
| AL3S-5464    | 69.8            | 1.5          | 1140          | 36           | 27,640             | 30,404 | 42,000        | 602                      | 2                             | 1140          | 27,960             | 30,756 | 42,900                        | 3            | 1140          | 27,540             | 30,294 | 41,700        |
| AL3S-5484    | 69.8            | 1.5          | 1140          | 36           | 32,860             | 36,146 | 41,400        | 594                      | 2                             | 1140          | 33,000             | 36,300 | 41,700                        | 3            | 1140          | 33,430             | 36,773 | 42,600        |
| AL3S-54104   | 69.8            | 2            | 1140          | 36           | 37,140             | 40,854 | 41,400        | 594                      | 3                             | 1140          | 37,140             | 40,854 | 41,400                        | 3            | 1140          | 36,390             | 40,029 | 40,200        |
| AL3S-5463    | 69.8            | 2            | 1140          | 42           | 27,670             | -      | 57,000        | 817                      | 3                             | 1140          | 27,670             | -      | 57,000                        | 5            | 1140          | 28,460             | -      | 60,300        |
| AL3S-5483    | 69.8            | 3            | 1140          | 42           | 35,560             | -      | 60,300        | 865                      | 5                             | 1140          | 36,200             | -      | 62,400                        | 5            | 1140          | 36,010             | -      | 61,800        |
| AL3S-54103   | 69.8            | 3            | 1140          | 42           | 39,750             | -      | 56,400        | 809                      | 5                             | 1140          | 40,970             | -      | 59,400                        | 5            | 1140          | 40,600             | -      | 58,500        |
| AL3S-5464    | 69.8            | 3            | 1140          | 42           | 33,530             | -      | 60,900        | 873                      | 5                             | 1140          | 34,190             | -      | 63,300                        | 5            | 1140          | 33,950             | -      | 62,400        |
| AL3S-5484    | 69.8            | 3            | 1140          | 42           | 39,760             | -      | 57,600        | 826                      | 5                             | 1140          | 40,890             | -      | 60,600                        | 5            | 1140          | 40,450             | -      | 59,400        |
| AL3S-54104   | 69.8            | 5            | 1140          | 42           | 46,660             | -      | 59,700        | 856                      | 5                             | 1140          | 46,790             | -      | 60,000                        | 7.5          | 1140          | 46,790             | -      | 60,000        |
| AL3S-5463    | 69.8            | 5            | 1140          | 42           | 31,380             | -      | 73,800        | 1,058                    | 7.5                           | 1140          | 31,800             | -      | 75,900                        | 7.5          | 1140          | 30,890             | -      | 71,400        |
| AL3S-5483    | 69.8            | 5            | 1140          | 42           | 38,400             | -      | 69,900        | 1,002                    | 7.5                           | 1140          | 39,900             | -      | 75,300                        | 7.5          | 1140          | 38,400             | -      | 69,900        |
| AL3S-54103   | 69.8            | 7.5          | 1140          | 42           | 46,630             | -      | 74,700        | 1,071                    | 7.5                           | 1140          | 45,030             | -      | 70,200                        | 7.5          | 1750          | 45,900             | -      | 72,600        |
| AL3S-5464    | 69.8            | 5            | 1140          | 42           | 36,120             | -      | 70,800        | 1,015                    | 7.5                           | 1140          | 37,410             | -      | 76,200                        | 7.5          | 1140          | 36,120             | -      | 70,800        |
| AL3S-5484    | 69.8            | 5            | 1140          | 42           | 43,640             | -      | 68,400        | 981                      | 7.5                           | 1140          | 44,730             | -      | 71,700                        | 7.5          | 1750          | 45,500             | -      | 74,100        |
| AL3S-54104   | 69.8            | 7.5          | 1140          | 42           | 51,530             | -      | 70,800        | 1,015                    | 7.5                           | 1750          | 52,400             | -      | 72,900                        | 7.5          | 1750          | 50,770             | -      | 69,000        |



## Performance Data (continued)

| Model Number | Face Area (ft <sup>2</sup> ) | 0" ESP       |               |              |                    |        |               |                          | 0.25" ESP/45° Down/Long Throw |               |                    |        |               | 0.5" ESP/90° Down (Penthouse) |               |                    |        |               |
|--------------|------------------------------|--------------|---------------|--------------|--------------------|--------|---------------|--------------------------|-------------------------------|---------------|--------------------|--------|---------------|-------------------------------|---------------|--------------------|--------|---------------|
|              |                              | Fan Pwr (HP) | Fan Spd (RPM) | Fan Dia (in) | Capacity (BTUH/°F) |        | Airflow (CFM) | Avg. Face Velocity (FPM) | Fan Pwr (HP)                  | Fan Spd (RPM) | Capacity (BTUH/°F) |        | Airflow (CFM) | Fan Pwr (HP)                  | Fan Spd (RPM) | Capacity (BTUH/°F) |        |               |
|              |                              |              |               |              | Frosted            | Wet    |               |                          |                               |               | Frosted            | Wet    |               |                               |               | Frosted            | Wet    | Airflow (CFM) |
| AL3S-5863    | 75.6                         | 1.5          | 1140          | 36           | 25,240             | 27,764 | 43,800        | 580                      | 2                             | 1140          | 25,680             | 28,248 | 45,300        | 3                             | 1140          | 25,740             | 28,314 | 45,600        |
| AL3S-5883    | 75.6                         | 2            | 1140          | 36           | 30,990             | 34,089 | 44,100        | 584                      | 2                             | 1140          | 30,990             | 34,089 | 44,100        | 3                             | 1140          | 31,110             | 34,221 | 44,400        |
| AL3S-58103   | 75.6                         | 2            | 1140          | 36           | 34,790             | 38,269 | 42,900        | 568                      | 3                             | 1140          | 35,850             | 39,435 | 45,000        | 3                             | 1140          | 35,100             | 38,610 | 43,500        |
| AL3S-5864    | 75.6                         | 2            | 1140          | 36           | 29,450             | 32,395 | 44,100        | 584                      | 2                             | 1140          | 29,450             | 32,395 | 44,100        | 3                             | 1140          | 29,670             | 32,637 | 44,700        |
| AL3S-5884    | 75.6                         | 2            | 1140          | 36           | 34,790             | 38,269 | 43,200        | 572                      | 3                             | 1140          | 35,820             | 39,402 | 45,300        | 3                             | 1140          | 35,240             | 38,764 | 44,100        |
| AL3S-58104   | 75.6                         | 2            | 1140          | 36           | 40,500             | 44,550 | 45,300        | 600                      | 3                             | 1140          | 40,630             | 44,693 | 45,600        | 3                             | 1140          | 38,320             | 42,152 | 41,700        |
| AL3S-5863    | 75.6                         | 3            | 1140          | 42           | 30,640             | -      | 64,500        | 854                      | 5                             | 1140          | 31,660             | -      | 69,000        | 5                             | 1140          | 30,900             | -      | 65,700        |
| AL3S-5883    | 75.6                         | 3            | 1140          | 42           | 37,490             | -      | 62,100        | 822                      | 5                             | 1140          | 38,610             | -      | 65,700        | 5                             | 1140          | 37,880             | -      | 63,300        |
| AL3S-58103   | 75.6                         | 5            | 1140          | 42           | 45,120             | -      | 66,300        | 877                      | 5                             | 1140          | 44,560             | -      | 64,800        | 7.5                           | 1140          | 45,590             | -      | 67,500        |
| AL3S-5864    | 75.6                         | 3            | 1140          | 42           | 35,420             | -      | 62,700        | 830                      | 5                             | 1140          | 37,140             | -      | 69,000        | 5                             | 1140          | 35,760             | -      | 63,900        |
| AL3S-5884    | 75.6                         | 5            | 1140          | 42           | 45,390             | -      | 68,700        | 909                      | 5                             | 1140          | 44,400             | -      | 66,000        | 7.5                           | 1140          | 45,390             | -      | 68,700        |
| AL3S-58104   | 75.6                         | 5            | 1140          | 42           | 50,050             | -      | 63,600        | 842                      | 5                             | 1140          | 49,340             | -      | 62,100        | 7.5                           | 1140          | 50,050             | -      | 63,600        |
| AL3S-5863    | 75.6                         | 7.5          | 1140          | 42           | 34,330             | -      | 81,600        | 1,080                    | 7.5                           | 1140          | 34,210             | -      | 81,000        | 7.5                           | 1140          | 33,040             | -      | 75,300        |
| AL3S-5883    | 75.6                         | 7.5          | 1140          | 42           | 43,470             | -      | 82,500        | 1,092                    | 7.5                           | 1140          | 42,150             | -      | 77,700        | 7.5                           | 1140          | 40,530             | -      | 72,000        |
| AL3S-58103   | 75.6                         | 7.5          | 1140          | 42           | 49,270             | -      | 77,400        | 1,024                    | 7.5                           | 1750          | 50,010             | -      | 79,500        | 7.5                           | 1750          | 48,420             | -      | 75,000        |
| AL3S-5864    | 75.6                         | 7.5          | 1140          | 42           | 40,740             | -      | 83,400        | 1,104                    | 7.5                           | 1140          | 39,590             | -      | 78,600        | 7.5                           | 1140          | 38,170             | -      | 72,900        |
| AL3S-5884    | 75.6                         | 7.5          | 1140          | 42           | 48,950             | -      | 79,200        | 1,048                    | 7.5                           | 1140          | 47,280             | -      | 74,100        | 7.5                           | 1750          | 48,060             | -      | 76,500        |
| AL3S-58104   | 75.6                         | 7.5          | 1140          | 42           | 54,490             | -      | 73,500        | 973                      | 7.5                           | 1750          | 55,350             | -      | 75,600        | 7.5                           | 1750          | 53,580             | -      | 71,400        |
| AL3S-6363    | 81.4                         | 2            | 1140          | 36           | 26,620             | 29,282 | 45,300        | 557                      | 3                             | 1140          | 28,100             | 30,910 | 50,400        | 3                             | 1140          | 27,580             | 30,338 | 48,600        |
| AL3S-6383    | 81.4                         | 2            | 1140          | 36           | 34,060             | 37,466 | 49,200        | 605                      | 3                             | 1140          | 34,060             | 37,466 | 49,200        | 3                             | 1140          | 33,070             | 36,377 | 46,800        |
| AL3S-63103   | 81.4                         | 3            | 1140          | 36           | 38,650             | 42,515 | 48,600        | 597                      | 3                             | 1140          | 38,040             | 41,844 | 47,400        | 3                             | 1140          | 36,680             | 40,348 | 44,700        |
| AL3S-6364    | 81.4                         | 2            | 1140          | 36           | 32,420             | 35,662 | 49,500        | 608                      | 3                             | 1140          | 32,420             | 35,662 | 49,500        | 3                             | 1140          | 31,570             | 34,727 | 47,100        |
| AL3S-6384    | 81.4                         | 3            | 1140          | 36           | 38,620             | 42,482 | 48,900        | 601                      | 3                             | 1140          | 38,190             | 42,009 | 48,000        | 3                             | 1140          | 36,700             | 40,370 | 45,000        |
| AL3S-63104   | 81.4                         | 3            | 1140          | 36           | 43,140             | 47,454 | 48,000        | 590                      | 3                             | 1140          | 43,670             | 48,037 | 48,900        | 5                             | 1140          | 44,000             | 48,400 | 49,500        |
| AL3S-6363    | 81.4                         | 3            | 1140          | 42           | 32,170             | -      | 66,000        | 811                      | 5                             | 1140          | 33,580             | -      | 72,000        | 7.5                           | 1140          | 33,980             | -      | 73,800        |
| AL3S-6383    | 81.4                         | 5            | 1140          | 42           | 42,540             | -      | 73,800        | 907                      | 5                             | 1140          | 41,230             | -      | 69,600        | 7.5                           | 1140          | 41,890             | -      | 71,700        |
| AL3S-63103   | 81.4                         | 5            | 1140          | 42           | 48,370             | -      | 70,800        | 870                      | 7.5                           | 1140          | 49,070             | -      | 72,600        | 7.5                           | 1140          | 47,890             | -      | 69,600        |
| AL3S-6364    | 81.4                         | 5            | 1140          | 42           | 40,110             | -      | 74,700        | 918                      | 5                             | 1140          | 38,900             | -      | 70,200        | 7.5                           | 1140          | 39,450             | -      | 72,300        |
| AL3S-6384    | 81.4                         | 5            | 1140          | 42           | 48,180             | -      | 72,000        | 885                      | 7 1/2                         | 1140          | 48,820             | -      | 73,800        | 7.5                           | 1140          | 47,730             | -      | 70,800        |
| AL3S-63104   | 81.4                         | 5            | 1140          | 42           | 53,710             | -      | 68,100        | 837                      | 7.5                           | 1140          | 55,230             | -      | 71,400        | 7.5                           | 1140          | 52,710             | -      | 66,000        |
| AL3S-6363    | 81.4                         | 7.5          | 1140          | 42           | 36,910             | -      | 87,600        | 1,076                    | 7.5                           | 1140          | 35,870             | -      | 82,500        | 7.5                           | 1750          | 36,430             | -      | 85,200        |
| AL3S-6383    | 81.4                         | 7.5          | 1140          | 42           | 45,580             | -      | 84,300        | 1,036                    | 7.5                           | 1140          | 44,220             | -      | 79,500        | 7.5                           | 1750          | 44,890             | -      | 81,900        |
| AL3S-63103   | 81.4                         | 7.5          | 1140          | 42           | 51,880             | -      | 80,100        | 984                      | 7.5                           | 1750          | 52,530             | -      | 81,900        | 7.5                           | 1750          | 50,770             | -      | 77,100        |
| AL3S-6364    | 81.4                         | 7.5          | 1140          | 42           | 42,770             | -      | 85,200        | 1,047                    | 7.5                           | 1140          | 41,590             | -      | 80,400        | 7.5                           | 1750          | 42,190             | -      | 82,800        |
| AL3S-6384    | 81.4                         | 7.5          | 1140          | 42           | 51,410             | -      | 81,300        | 999                      | 7.5                           | 1750          | 52,110             | -      | 83,400        | 7.5                           | 1750          | 50,500             | -      | 78,600        |
| AL3S-63104   | 81.4                         | 7.5          | 1140          | 42           | 57,380             | -      | 76,200        | 936                      | 7.5                           | 1750          | 58,190             | -      | 78,000        | 7.5                           | 1750          | 56,330             | -      | 73,800        |



Refrigeration

## Physical Data

| Model Number | Face Area (ft <sup>2</sup> ) | Rows Deep | Coil Vol. (ft <sup>3</sup> ) | L x D x H (in)        | Fin Density: 3 fpi           |                        |            |              | Fin Density: 4 fpi           |                        |            |              |
|--------------|------------------------------|-----------|------------------------------|-----------------------|------------------------------|------------------------|------------|--------------|------------------------------|------------------------|------------|--------------|
|              |                              |           |                              |                       | Surf Area (ft <sup>2</sup> ) | Est. Shipping Wt (std) |            |              | Surf Area (ft <sup>2</sup> ) | Est. Shipping Wt (std) |            |              |
|              |                              |           |                              |                       |                              | Galv (lbs)             | Alum (lbs) | SST-Al (lbs) |                              | Galv (lbs)             | Alum (lbs) | SST-Al (lbs) |
| AL3S-456X    | 58.1                         | 6         | 7.3                          | 216 x 53 1/4 x 49 1/2 | 3,869                        | 5,078                  | 3,057      | 3,093        | 5,007                        | 5,558                  | 3,173      | 3,199        |
| AL3S-458X    | 58.1                         | 8         | 9.5                          | 216 x 53 1/4 x 49 1/2 | 5,159                        | 5,837                  | 3,300      | 3,400        | 6,676                        | 6,469                  | 3,455      | 3,541        |
| AL3S-4510X   | 58.1                         | 10        | 11.7                         | 216 x 53 1/4 x 49 1/2 | 6,448                        | 6,596                  | 3,543      | 3,707        | 8,345                        | 7,380                  | 3,738      | 3,884        |
| AL3S-496X    | 63.9                         | 6         | 8                            | 216 x 53 1/4 x 54     | 4,256                        | 5,176                  | 2,977      | 3,052        | 5,507                        | 5,701                  | 3,105      | 3,168        |
| AL3S-498X    | 63.9                         | 8         | 10.5                         | 216 x 53 1/4 x 54     | 5,674                        | 6,011                  | 3,245      | 3,389        | 7,343                        | 6,951                  | 3,663      | 3,770        |
| AL3S-4910X   | 63.9                         | 10        | 12.9                         | 216 x 53 1/4 x 54     | 7,093                        | 7,093                  | 3,760      | 3,952        | 9,179                        | 7,953                  | 3,973      | 4,147        |
| AL3S-546X    | 69.8                         | 6         | 8.8                          | 216 x 53 1/4 x 58 1/2 | 4,642                        | 5,499                  | 3,123      | 3,216        | 6,008                        | 6,072                  | 3,263      | 3,343        |
| AL3S-548X    | 69.8                         | 8         | 11.4                         | 216 x 53 1/4 x 58 1/2 | 6,190                        | 6,410                  | 3,415      | 3,584        | 8,010                        | 7,165                  | 3,602      | 3,754        |
| AL3S-5410X   | 69.8                         | 10        | 14.1                         | 216 x 53 1/4 x 58 1/2 | 7,737                        | 7,568                  | 3,955      | 4,178        | 10,013                       | 8,506                  | 4,188      | 4,390        |
| AL3S-586X    | 75.6                         | 6         | 9.5                          | 216 x 53 1/4 x 63     | 5,029                        | 6,064                  | 3,512      | 3,600        | 6,508                        | 6,684                  | 3,664      | 3,738        |
| AL3S-588X    | 75.6                         | 8         | 12.4                         | 216 x 53 1/4 x 63     | 6,705                        | 7,051                  | 3,828      | 3,999        | 8,677                        | 7,868                  | 4,030      | 4,183        |
| AL3S-5810X   | 75.6                         | 10        | 15.3                         | 216 x 53 1/4 x 63     | 8,382                        | 8,038                  | 4,145      | 4,399        | 10,847                       | 9,053                  | 4,397      | 4,629        |
| AL3S-636X    | 81.4                         | 6         | 10.2                         | 216 x 53 1/4 x 67 1/2 | 5,416                        | 6,383                  | 3,654      | 3,760        | 7,009                        | 7,049                  | 3,817      | 3,908        |
| AL3S-638X    | 81.4                         | 8         | 13.3                         | 216 x 53 1/4 x 67 1/2 | 7,222                        | 7,445                  | 3,994      | 4,190        | 9,346                        | 8,324                  | 4,212      | 4,388        |
| AL3S-6310X   | 81.4                         | 10        | 16.4                         | 216 x 53 1/4 x 67 1/2 | 9,027                        | 8,508                  | 4,335      | 4,620        | 11,682                       | 9,600                  | 4,607      | 4,867        |

...because temperature matters™



# Engineering Data

## Models AL4S-4563 to AL4S-63104

Do not use for construction. Refer to factory certified dimensions. This handbook includes data current at the time of publication, which should be reconfirmed at the time of purchase.

Aircoil™ Evaporators

| Model Number | Face Area (ft²) | Fan Pwr (HP) | Fan Spd (RPM) | Fan Dia (in) | 0" ESP             |        |               |                          | 0.25" ESP/45° Down/Long Throw |               |                    |        | 0.5" ESP/90° Down (Penthouse) |               |                    |        |               |        |
|--------------|-----------------|--------------|---------------|--------------|--------------------|--------|---------------|--------------------------|-------------------------------|---------------|--------------------|--------|-------------------------------|---------------|--------------------|--------|---------------|--------|
|              |                 |              |               |              | Capacity (BTUH/°F) |        | Airflow (CFM) | Avg. Face Velocity (FPM) | Fan Pwr (HP)                  | Fan Spd (RPM) | Capacity (BTUH/°F) |        | Fan Pwr (HP)                  | Fan Spd (RPM) | Capacity (BTUH/°F) |        | Airflow (CFM) |        |
|              |                 |              |               |              | Frosted            | Wet    |               |                          |                               |               | Frosted            | Wet    |                               |               | Frosted            | Wet    |               |        |
| AL4S-4563    | 77.5            | 1            | 1140          | 30           | 25,110             | 27,621 | 42,400        | 547                      | 1.5                           | 1140          | 25,230             | 27,753 | 42,800                        | 2             | 1140               | 24,120 | 26,532        | 39,200 |
| AL4S-4583    | 77.5            | 1            | 1140          | 30           | 30,260             | 33,286 | 41,600        | 537                      | 1.5                           | 1140          | 30,260             | 33,286 | 41,600                        | 2             | 1140               | 28,470 | 31,317        | 37,600 |
| AL4S-45103   | 77.5            | 1.5          | 1140          | 30           | 36,460             | 40,106 | 45,600        | 588                      | 2                             | 1140          | 35,880             | 39,468 | 44,400                        | 3             | 1140               | 35,880 | 39,468        | 44,400 |
| AL4S-4564    | 77.5            | 1            | 1140          | 30           | 28,990             | 31,889 | 42,000        | 542                      | 2                             | 1140          | 30,630             | 33,693 | 46,400                        | 3             | 1140               | 30,900 | 33,990        | 47,200 |
| AL4S-4584    | 77.5            | 1.5          | 1140          | 30           | 36,520             | 40,172 | 46,000        | 594                      | 2                             | 1140          | 35,920             | 39,512 | 44,800                        | 3             | 1140               | 36,100 | 39,710        | 45,200 |
| AL4S-45104   | 77.5            | 2            | 1140          | 30           | 41,270             | 45,397 | 46,000        | 594                      | 2                             | 1140          | 39,300             | 43,230 | 42,800                        | 3             | 1140               | 39,060 | 42,966        | 42,400 |
| AL4S-4563    | 77.5            | 3            | 1140          | 30           | 29,650             | -      | 58,800        | 759                      | 5                             | 1750          | 30,920             | -      | 64,000                        | 5             | 1750               | 30,340 | -             | 61,600 |
| AL4S-4583    | 77.5            | 3            | 1140          | 30           | 36,260             | -      | 57,200        | 738                      | 5                             | 1750          | 38,270             | -      | 63,200                        | 5             | 1750               | 37,510 | -             | 60,800 |
| AL4S-45103   | 77.5            | 3            | 1140          | 30           | 40,970             | -      | 55,200        | 712                      | 5                             | 1750          | 44,200             | -      | 62,800                        | 5             | 1750               | 42,550 | -             | 58,800 |
| AL4S-4564    | 77.5            | 3            | 1140          | 30           | 34,330             | -      | 57,600        | 743                      | 5                             | 1750          | 35,990             | -      | 63,200                        | 5             | 1750               | 35,310 | -             | 60,800 |
| AL4S-4584    | 77.5            | 3            | 1140          | 30           | 40,990             | -      | 56,000        | 723                      | 5                             | 1750          | 43,400             | -      | 62,000                        | 5             | 1750               | 42,610 | -             | 60,000 |
| AL4S-45104   | 77.5            | 3            | 1140          | 30           | 45,280             | -      | 53,200        | 686                      | 5                             | 1750          | 49,410             | -      | 61,200                        | 5             | 1750               | 47,780 | -             | 58,000 |
| AL4S-4563    | 77.5            | 7.5          | 1750          | 30           | 34,130             | -      | 78,400        | 1,012                    | 7.5                           | 1750          | 33,620             | -      | 76,000                        | 7.5           | 1750               | 33,100 | -             | 73,600 |
| AL4S-4583    | 77.5            | 7.5          | 1750          | 30           | 42,530             | -      | 77,200        | 996                      | 7.5                           | 1750          | 41,730             | -      | 74,400                        | 7.5           | 1750               | 41,020 | -             | 72,000 |
| AL4S-45103   | 77.5            | 7.5          | 1750          | 30           | 48,870             | -      | 74,800        | 965                      | 7.5                           | 1750          | 47,980             | -      | 72,400                        | 7.5           | 1750               | 46,910 | -             | 69,600 |
| AL4S-4564    | 77.5            | 7.5          | 1750          | 30           | 39,860             | -      | 77,600        | 1,001                    | 7.5                           | 1750          | 39,150             | -      | 74,800                        | 7.5           | 1750               | 38,530 | -             | 72,400 |
| AL4S-4584    | 77.5            | 7.5          | 1750          | 30           | 48,330             | -      | 75,600        | 975                      | 7.5                           | 1750          | 47,530             | -      | 73,200                        | 7.5           | 1750               | 46,530 | -             | 70,400 |
| AL4S-45104   | 77.5            | 7.5          | 1750          | 30           | 54,950             | -      | 73,200        | 945                      | 7.5                           | 1750          | 53,680             | -      | 70,400                        | 7.5           | 1750               | 52,420 | -             | 67,600 |
| AL4S-4963    | 85.3            | 3/4          | 1140          | 36           | 27,910             | 30,701 | 47,600        | 558                      | 1.5                           | 1140          | 29,000             | 31,900 | 51,200                        | 2             | 1140               | 28,870 | 31,757        | 50,800 |
| AL4S-4983    | 85.3            | 3/4          | 1140          | 36           | 33,400             | 36,740 | 46,000        | 540                      | 1.5                           | 1140          | 35,070             | 38,577 | 50,000                        | 2             | 1140               | 34,720 | 38,192        | 49,200 |
| AL4S-49103   | 85.3            | 3/4          | 1140          | 36           | 36,940             | 40,634 | 44,000        | 516                      | 2                             | 1140          | 40,820             | 44,902 | 51,600                        | 3             | 1140               | 40,820 | 44,902        | 51,600 |
| AL4S-4964    | 85.3            | 3/4          | 1140          | 36           | 31,950             | 35,145 | 46,400        | 544                      | 1.5                           | 1140          | 33,320             | 36,652 | 50,000                        | 2             | 1140               | 33,170 | 36,487        | 49,600 |
| AL4S-4984    | 85.3            | 3/4          | 1140          | 36           | 37,040             | 40,744 | 44,400        | 521                      | 1.5                           | 1140          | 39,090             | 42,999 | 48,400                        | 2             | 1140               | 38,490 | 42,339        | 47,200 |
| AL4S-49104   | 85.3            | 1.5          | 1140          | 36           | 45,240             | 49,764 | 50,400        | 591                      | 2                             | 1140          | 45,740             | 50,314 | 51,200                        | 3             | 1140               | 45,940 | 50,534        | 51,600 |
| AL4S-4963    | 85.3            | 3            | 1140          | 36           | 34,190             | -      | 71,200        | 835                      | 3                             | 1140          | 33,910             | -      | 70,000                        | 5             | 1140               | 33,620 | -             | 68,800 |
| AL4S-4983    | 85.3            | 3            | 1140          | 36           | 41,740             | -      | 68,400        | 802                      | 3                             | 1140          | 41,090             | -      | 66,400                        | 5             | 1140               | 42,510 | -             | 70,800 |
| AL4S-49103   | 85.3            | 3            | 1140          | 36           | 48,830             | -      | 69,600        | 816                      | 5                             | 1140          | 48,340             | -      | 68,400                        | 5             | 1750               | 49,970 | -             | 72,400 |
| AL4S-4964    | 85.3            | 3            | 1140          | 36           | 39,520             | -      | 69,200        | 812                      | 3                             | 1140          | 38,920             | -      | 67,200                        | 5             | 1140               | 40,080 | -             | 71,200 |
| AL4S-4984    | 85.3            | 3            | 1140          | 36           | 46,870             | -      | 66,000        | 774                      | 5                             | 1140          | 48,140             | -      | 69,200                        | 5             | 1750               | 49,780 | -             | 73,600 |
| AL4S-49104   | 85.3            | 5            | 1140          | 36           | 55,830             | -      | 70,400        | 826                      | 5                             | 1140          | 55,260             | -      | 69,200                        | 5             | 1750               | 55,420 | -             | 69,600 |
| AL4S-4963    | 85.3            | 5            | 1140          | 36           | 37,560             | -      | 86,400        | 1,013                    | 5                             | 1750          | 37,150             | -      | 84,400                        | 5             | 1750               | 35,850 | -             | 78,400 |
| AL4S-4983    | 85.3            | 5            | 1140          | 36           | 46,300             | -      | 83,200        | 976                      | 7.5                           | 1750          | 48,980             | -      | 92,800                        | 7.5           | 1750               | 47,890 | -             | 88,800 |
| AL4S-49103   | 85.3            | 7.5          | 1140          | 36           | 55,700             | -      | 87,600        | 1,028                    | 7.5                           | 1750          | 55,980             | -      | 88,400                        | 7.5           | 1750               | 54,540 | -             | 84,400 |
| AL4S-4964    | 85.3            | 5            | 1140          | 36           | 43,500             | -      | 84,000        | 985                      | 7.5                           | 1750          | 45,840             | -      | 93,600                        | 7.5           | 1750               | 44,890 | -             | 89,600 |
| AL4S-4984    | 85.3            | 7.5          | 1140          | 36           | 55,310             | -      | 89,600        | 1,051                    | 7.5                           | 1750          | 55,450             | -      | 90,000                        | 7.5           | 1750               | 54,000 | -             | 85,600 |
| AL4S-49104   | 85.3            | 7.5          | 1140          | 36           | 61,400             | -      | 82,800        | 971                      | 7.5                           | 1750          | 62,410             | -      | 85,200                        | 7.5           | 1750               | 60,560 | -             | 80,800 |
| AL4S-5463    | 93              | 1.5          | 1140          | 36           | 31,660             | 34,826 | 56,000        | 602                      | 2                             | 1140          | 31,310             | 34,441 | 54,800                        | 3             | 1140               | 31,310 | 34,441        | 54,800 |
| AL4S-5483    | 93              | 1.5          | 1140          | 36           | 38,810             | 42,691 | 56,000        | 602                      | 2                             | 1140          | 39,150             | 43,065 | 56,800                        | 3             | 1140               | 38,520 | 42,372        | 55,200 |
| AL4S-54103   | 93              | 1.5          | 1140          | 36           | 43,800             | 48,180 | 54,800        | 589                      | 2                             | 1140          | 44,030             | 48,433 | 55,200                        | 3             | 1140               | 44,400 | 48,840        | 56,000 |
| AL4S-5464    | 93              | 1.5          | 1140          | 36           | 36,850             | 40,535 | 56,000        | 602                      | 2                             | 1140          | 37,280             | 41,008 | 57,200                        | 3             | 1140               | 36,720 | 40,392        | 55,600 |
| AL4S-5484    | 93              | 1.5          | 1140          | 36           | 43,820             | 48,202 | 55,200        | 594                      | 2                             | 1140          | 44,000             | 48,400 | 55,600                        | 3             | 1140               | 44,570 | 49,027        | 56,800 |
| AL4S-54104   | 93              | 2            | 1140          | 36           | 49,520             | 54,472 | 55,200        | 594                      | 3                             | 1140          | 49,520             | 54,472 | 55,200                        | 3             | 1140               | 48,520 | 53,372        | 53,600 |
| AL4S-5463    | 93              | 2            | 1140          | 42           | 36,900             | -      | 76,000        | 817                      | 3                             | 1140          | 36,900             | -      | 76,000                        | 5             | 1140               | 37,950 | -             | 80,400 |
| AL4S-5483    | 93              | 3            | 1140          | 42           | 47,410             | -      | 80,400        | 865                      | 5                             | 1140          | 48,270             | -      | 83,200                        | 5             | 1140               | 48,020 | -             | 82,400 |
| AL4S-54103   | 93              | 3            | 1140          | 42           | 53,010             | -      | 75,200        | 809                      | 5                             | 1140          | 54,620             | -      | 79,200                        | 5             | 1140               | 54,140 | -             | 78,000 |
| AL4S-5464    | 93              | 3            | 1140          | 42           | 44,710             | -      | 81,200        | 873                      | 5                             | 1140          | 45,590             | -      | 84,400                        | 5             | 1140               | 45,270 | -             | 83,200 |
| AL4S-5484    | 93              | 3            | 1140          | 42           | 53,020             | -      | 76,800        | 826                      | 5                             | 1140          | 54,520             | -      | 80,800                        | 5             | 1140               | 53,930 | -             | 79,200 |
| AL4S-54104   | 93              | 5            | 1140          | 42           | 62,210             | -      | 79,600        | 856                      | 5                             | 1140          | 62,390             | -      | 80,000                        | 7.5           | 1140               | 62,390 | -             | 80,000 |
| AL4S-5463    | 93              | 5            | 1140          | 42           | 41,840             | -      | 98,400        | 1,058                    | 7.5                           | 1140          | 42,400             | -      | 101,200                       | 7.5           | 1140               | 41,190 | -             | 95,200 |
| AL4S-5483    | 93              | 5            | 1140          | 42           | 51,200             | -      | 93,200        | 1,002                    | 7.5                           | 1140          | 53,200             | -      | 100,400                       | 7.5           | 1140               | 51,200 | -             | 93,200 |
| AL4S-54103   | 93              | 7.5          | 1140          | 42           | 62,170             | -      | 99,600        | 1,071                    | 7.5                           | 1140          | 60,040             | -      | 93,600                        | 7.5           | 1750               | 61,200 | -             | 96,800 |
| AL4S-5464    | 93              | 5            | 1140          | 42           | 48,150             | -      | 94,400        | 1,015                    | 7.5                           | 1140          | 49,880             | -      | 101,600                       | 7.5           | 1140               | 48,150 | -             | 94,400 |
| AL4S-5484    | 93              | 5            | 1140          | 42           | 58,190             | -      | 91,200        | 981                      | 7.5                           | 1140          | 59,640             | -      | 95,600                        | 7.5           | 1750               | 60,660 | -             | 98,800 |
| AL4S-54104   | 93              | 7.5          | 1140          | 42           | 68,710             | -      | 94,400        | 1,015                    | 7.5                           | 1750          | 69,860             | -      | 97,200                        | 7.5           | 1750               | 67,700 | -             | 92,000 |



## Performance Data (continued)

| Model Number | Face Area (ft <sup>2</sup> ) | 0" ESP       |               |              |                    |        |               |                          | 0.25" ESP/45° Down/Long Throw |               |                    |        |               | 0.5" ESP/90° Down (Penthouse) |               |                    |        |               |
|--------------|------------------------------|--------------|---------------|--------------|--------------------|--------|---------------|--------------------------|-------------------------------|---------------|--------------------|--------|---------------|-------------------------------|---------------|--------------------|--------|---------------|
|              |                              | Fan Pwr (HP) | Fan Spd (RPM) | Fan Dia (in) | Capacity (BTUH/°F) |        | Airflow (CFM) | Avg. Face Velocity (FPM) | Fan Pwr (HP)                  | Fan Spd (RPM) | Capacity (BTUH/°F) |        | Airflow (CFM) | Fan Pwr (HP)                  | Fan Spd (RPM) | Capacity (BTUH/°F) |        | Airflow (CFM) |
|              |                              |              |               |              | Frosted            | Wet    |               |                          |                               |               | Frosted            | Wet    |               |                               |               | Frosted            | Wet    |               |
| AL4S-5863    | 100.8                        | 1.5          | 1140          | 36           | 33,650             | 37,015 | 58,400        | 580                      | 2                             | 1140          | 34,240             | 37,664 | 60,400        | 3                             | 1140          | 34,330             | 37,763 | 60,800        |
| AL4S-5883    | 100.8                        | 2            | 1140          | 36           | 41,320             | 45,452 | 58,800        | 584                      | 2                             | 1140          | 41,320             | 45,452 | 58,800        | 3                             | 1140          | 41,480             | 45,628 | 59,200        |
| AL4S-58103   | 100.8                        | 2            | 1140          | 36           | 46,390             | 51,029 | 57,200        | 568                      | 3                             | 1140          | 47,800             | 52,580 | 60,000        | 3                             | 1140          | 46,800             | 51,480 | 58,000        |
| AL4S-5864    | 100.8                        | 2            | 1140          | 36           | 39,270             | 43,197 | 58,800        | 584                      | 2                             | 1140          | 39,270             | 43,197 | 58,800        | 3                             | 1140          | 39,560             | 43,516 | 59,600        |
| AL4S-5884    | 100.8                        | 2            | 1140          | 36           | 46,390             | 51,029 | 57,600        | 572                      | 3                             | 1140          | 47,760             | 52,536 | 60,400        | 3                             | 1140          | 46,980             | 51,678 | 58,800        |
| AL4S-58104   | 100.8                        | 2            | 1140          | 36           | 54,000             | 59,400 | 60,400        | 600                      | 3                             | 1140          | 54,180             | 59,598 | 60,800        | 3                             | 1140          | 51,090             | 56,199 | 55,600        |
| AL4S-5863    | 100.8                        | 3            | 1140          | 42           | 40,850             | -      | 86,000        | 854                      | 5                             | 1140          | 42,210             | -      | 92,000        | 5                             | 1140          | 41,200             | -      | 87,600        |
| AL4S-5883    | 100.8                        | 3            | 1140          | 42           | 49,980             | -      | 82,800        | 822                      | 5                             | 1140          | 51,490             | -      | 87,600        | 5                             | 1140          | 50,500             | -      | 84,400        |
| AL4S-58103   | 100.8                        | 5            | 1140          | 42           | 60,170             | -      | 88,400        | 877                      | 5                             | 1140          | 59,410             | -      | 86,400        | 7.5                           | 1140          | 60,790             | -      | 90,000        |
| AL4S-5864    | 100.8                        | 3            | 1140          | 42           | 47,220             | -      | 83,600        | 830                      | 5                             | 1140          | 49,530             | -      | 92,000        | 5                             | 1140          | 47,680             | -      | 85,200        |
| AL4S-5884    | 100.8                        | 5            | 1140          | 42           | 60,520             | -      | 91,600        | 909                      | 5                             | 1140          | 59,210             | -      | 88,000        | 7.5                           | 1140          | 60,520             | -      | 91,600        |
| AL4S-58104   | 100.8                        | 5            | 1140          | 42           | 66,740             | -      | 84,800        | 842                      | 5                             | 1140          | 65,790             | -      | 82,800        | 7.5                           | 1140          | 66,740             | -      | 84,800        |
| AL4S-5863    | 100.8                        | 7.5          | 1140          | 42           | 45,770             | -      | 108,800       | 1,080                    | 7.5                           | 1140          | 45,610             | -      | 108,000       | 7.5                           | 1140          | 44,050             | -      | 100,400       |
| AL4S-5883    | 100.8                        | 7.5          | 1140          | 42           | 57,960             | -      | 110,000       | 1,092                    | 7.5                           | 1140          | 56,200             | -      | 103,600       | 7.5                           | 1140          | 54,040             | -      | 96,000        |
| AL4S-58103   | 100.8                        | 7.5          | 1140          | 42           | 65,690             | -      | 103,200       | 1,024                    | 7.5                           | 1750          | 66,690             | -      | 106,000       | 7.5                           | 1750          | 64,570             | -      | 100,000       |
| AL4S-5864    | 100.8                        | 7.5          | 1140          | 42           | 54,320             | -      | 111,200       | 1,104                    | 7.5                           | 1140          | 52,780             | -      | 104,800       | 7.5                           | 1140          | 50,900             | -      | 97,200        |
| AL4S-5884    | 100.8                        | 7.5          | 1140          | 42           | 65,270             | -      | 105,600       | 1,048                    | 7.5                           | 1140          | 63,040             | -      | 98,800        | 7.5                           | 1750          | 64,080             | -      | 102,000       |
| AL4S-58104   | 100.8                        | 7.5          | 1140          | 42           | 72,650             | -      | 98,000        | 973                      | 7.5                           | 1750          | 73,810             | -      | 100,800       | 7.5                           | 1750          | 71,430             | -      | 95,200        |
| AL4S-6363    | 108.5                        | 2            | 1140          | 36           | 35,490             | 39,039 | 60,400        | 557                      | 3                             | 1140          | 37,460             | 41,206 | 67,200        | 3                             | 1140          | 36,780             | 40,458 | 64,800        |
| AL4S-6383    | 108.5                        | 2            | 1140          | 36           | 45,410             | 49,951 | 65,600        | 605                      | 3                             | 1140          | 45,410             | 49,951 | 65,600        | 3                             | 1140          | 44,100             | 48,510 | 62,400        |
| AL4S-63103   | 108.5                        | 3            | 1140          | 36           | 51,530             | 56,683 | 64,800        | 597                      | 3                             | 1140          | 50,730             | 55,803 | 63,200        | 3                             | 1140          | 48,900             | 53,790 | 59,600        |
| AL4S-6364    | 108.5                        | 2            | 1140          | 36           | 43,230             | 47,553 | 66,000        | 608                      | 3                             | 1140          | 43,230             | 47,553 | 66,000        | 3                             | 1140          | 42,090             | 46,299 | 62,800        |
| AL4S-6384    | 108.5                        | 3            | 1140          | 36           | 51,490             | 56,639 | 65,200        | 601                      | 3                             | 1140          | 50,910             | 56,001 | 64,000        | 3                             | 1140          | 48,930             | 53,823 | 60,000        |
| AL4S-63104   | 108.5                        | 3            | 1140          | 36           | 57,520             | 63,272 | 64,000        | 590                      | 3                             | 1140          | 58,220             | 64,042 | 65,200        | 5                             | 1140          | 58,660             | 64,526 | 66,000        |
| AL4S-6363    | 108.5                        | 3            | 1140          | 42           | 42,890             | -      | 88,000        | 811                      | 5                             | 1140          | 44,770             | -      | 96,000        | 7.5                           | 1140          | 45,310             | -      | 98,400        |
| AL4S-6383    | 108.5                        | 5            | 1140          | 42           | 56,710             | -      | 98,400        | 907                      | 5                             | 1140          | 54,970             | -      | 92,800        | 7.5                           | 1140          | 55,850             | -      | 95,600        |
| AL4S-63103   | 108.5                        | 5            | 1140          | 42           | 64,500             | -      | 94,400        | 870                      | 7.5                           | 1140          | 65,430             | -      | 96,800        | 7.5                           | 1140          | 63,850             | -      | 92,800        |
| AL4S-6364    | 108.5                        | 5            | 1140          | 42           | 53,480             | -      | 99,600        | 918                      | 5                             | 1140          | 51,860             | -      | 93,600        | 7.5                           | 1140          | 52,610             | -      | 96,400        |
| AL4S-6384    | 108.5                        | 5            | 1140          | 42           | 64,240             | -      | 96,000        | 885                      | 7.5                           | 1140          | 65,100             | -      | 98,400        | 7.5                           | 1140          | 63,640             | -      | 94,400        |
| AL4S-63104   | 108.5                        | 5            | 1140          | 42           | 71,620             | -      | 90,800        | 837                      | 7.5                           | 1140          | 73,630             | -      | 95,200        | 7.5                           | 1140          | 70,270             | -      | 88,000        |
| AL4S-6363    | 108.5                        | 7.5          | 1140          | 42           | 49,210             | -      | 116,800       | 1,076                    | 7.5                           | 1140          | 47,820             | -      | 110,000       | 7.5                           | 1750          | 48,570             | -      | 113,600       |
| AL4S-6383    | 108.5                        | 7.5          | 1140          | 42           | 60,770             | -      | 112,400       | 1,036                    | 7.5                           | 1140          | 58,960             | -      | 106,000       | 7.5                           | 1750          | 59,860             | -      | 109,200       |
| AL4S-63103   | 108.5                        | 7.5          | 1140          | 42           | 69,180             | -      | 106,800       | 984                      | 7.5                           | 1750          | 70,040             | -      | 109,200       | 7.5                           | 1750          | 67,700             | -      | 102,800       |
| AL4S-6364    | 108.5                        | 7.5          | 1140          | 42           | 57,030             | -      | 113,600       | 1,047                    | 7.5                           | 1140          | 55,450             | -      | 107,200       | 7.5                           | 1750          | 56,260             | -      | 110,400       |
| AL4S-6384    | 108.5                        | 7.5          | 1140          | 42           | 68,540             | -      | 108,400       | 999                      | 7.5                           | 1750          | 69,480             | -      | 111,200       | 7.5                           | 1750          | 67,330             | -      | 104,800       |
| AL4S-63104   | 108.5                        | 7.5          | 1140          | 42           | 76,500             | -      | 101,600       | 936                      | 7.5                           | 1750          | 77,590             | -      | 104,000       | 7.5                           | 1750          | 75,110             | -      | 98,400        |

## Physical Data

| Model Number | Face Area (ft <sup>2</sup> ) | Rows Deep | Coil Vol. (ft <sup>3</sup> ) | L x D x H (in)        | Fin Density: 3 fpi           |                        |            |              | Fin Density: 4 fpi           |                        |            |              |
|--------------|------------------------------|-----------|------------------------------|-----------------------|------------------------------|------------------------|------------|--------------|------------------------------|------------------------|------------|--------------|
|              |                              |           |                              |                       | Surf Area (ft <sup>2</sup> ) | Est. Shipping Wt (std) |            |              | Surf Area (ft <sup>2</sup> ) | Est. Shipping Wt (std) |            |              |
|              |                              |           |                              |                       |                              | Galv (lbs)             | Alum (lbs) | SST-Al (lbs) |                              | Galv (lbs)             | Alum (lbs) | SST-Al (lbs) |
| AL4S-456X    | 77.5                         | 6         | 9.3                          | 278 x 53 1/4 x 49 1/2 | 5,158                        | 6,677                  | 4,036      | 4,065        | 6,675                        | 7,313                  | 4,192      | 4,207        |
| AL4S-458X    | 77.5                         | 8         | 12.2                         | 278 x 53 1/4 x 49 1/2 | 6,878                        | 7,683                  | 4,359      | 4,472        | 8,900                        | 8,522                  | 4,566      | 4,660        |
| AL4S-4510X   | 77.5                         | 10        | 15.1                         | 278 x 53 1/4 x 49 1/2 | 8,597                        | 8,689                  | 4,681      | 4,878        | 11,125                       | 9,730                  | 4,940      | 5,114        |
| AL4S-496X    | 85.3                         | 6         | 10.3                         | 278 x 53 1/4 x 54     | 5,674                        | 7,129                  | 4,258      | 4,306        | 7,343                        | 7,827                  | 4,428      | 4,461        |
| AL4S-498X    | 85.3                         | 8         | 13.5                         | 278 x 53 1/4 x 54     | 7,565                        | 8,235                  | 4,612      | 4,753        | 9,790                        | 9,156                  | 4,840      | 4,960        |
| AL4S-4910X   | 85.3                         | 10        | 16.6                         | 278 x 53 1/4 x 54     | 9,457                        | 9,342                  | 4,967      | 5,200        | 12,238                       | 10,486                 | 5,252      | 5,459        |
| AL4S-546X    | 93                           | 6         | 11.2                         | 278 x 53 1/4 x 58 1/2 | 6,190                        | 7,552                  | 4,450      | 4,520        | 8,010                        | 8,312                  | 4,636      | 4,689        |
| AL4S-548X    | 93                           | 8         | 14.7                         | 278 x 53 1/4 x 58 1/2 | 8,253                        | 8,759                  | 4,837      | 5,007        | 10,680                       | 9,762                  | 5,085      | 5,234        |
| AL4S-5410X   | 93                           | 10        | 18.2                         | 278 x 53 1/4 x 58 1/2 | 10,316                       | 9,966                  | 5,224      | 5,495        | 13,350                       | 11,212                 | 5,535      | 5,778        |
| AL4S-586X    | 100.8                        | 6         | 12.1                         | 278 x 53 1/4 x 63     | 6,706                        | 7,968                  | 4,635      | 4,728        | 8,678                        | 8,790                  | 4,837      | 4,911        |
| AL4S-588X    | 100.8                        | 8         | 15.9                         | 278 x 53 1/4 x 63     | 8,941                        | 9,276                  | 5,055      | 5,256        | 11,570                       | 10,361                 | 5,324      | 5,501        |
| AL4S-5810X   | 100.8                        | 10        | 19.7                         | 278 x 53 1/4 x 63     | 11,176                       | 10,583                 | 5,474      | 5,784        | 14,463                       | 11,932                 | 5,810      | 6,090        |
| AL4S-636X    | 108.5                        | 6         | 13.1                         | 278 x 53 1/4 x 67 1/2 | 7,222                        | 8,385                  | 4,821      | 4,936        | 9,345                        | 9,269                  | 5,039      | 5,134        |
| AL4S-638X    | 108.5                        | 8         | 17.1                         | 278 x 53 1/4 x 67 1/2 | 9,629                        | 9,793                  | 5,273      | 5,505        | 12,460                       | 10,961                 | 5,563      | 5,769        |
| AL4S-6310X   | 108.5                        | 10        | 21.2                         | 278 x 53 1/4 x 67 1/2 | 12,036                       | 11,201                 | 5,724      | 6,074        | 15,575                       | 12,653                 | 6,087      | 6,404        |



Refrigeration

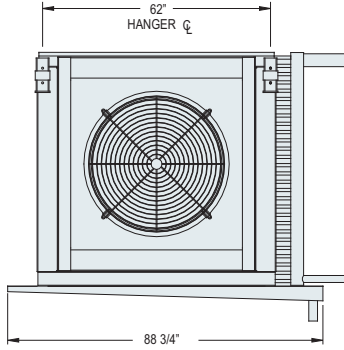
...because temperature matters™



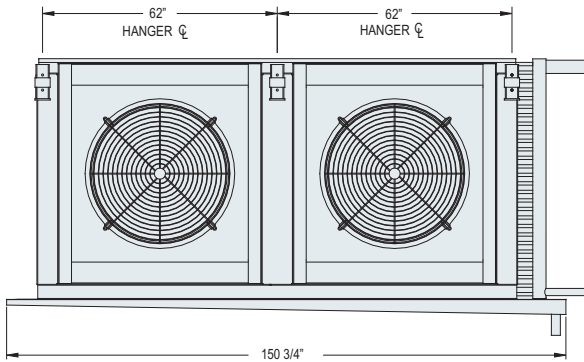
# Engineering Drawings

Do not use for construction. Refer to factory certified dimensions. This handbook includes data current at the time of publication, which should be be reconfirmed at the time of purchase.

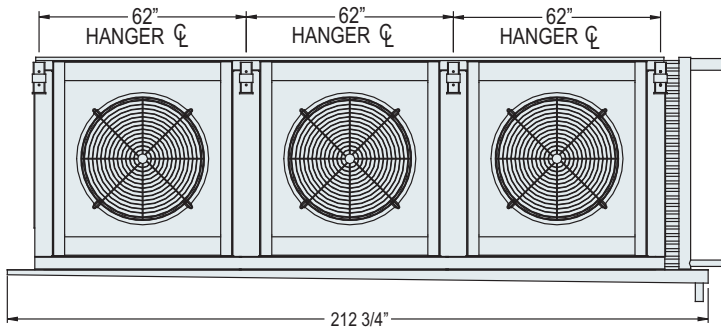
*Aircoil™ Evaporators*



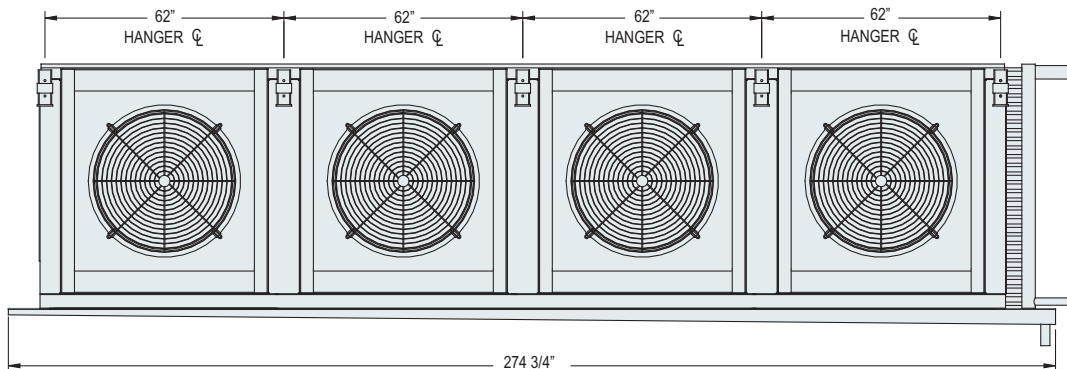
AL 1



AL 2



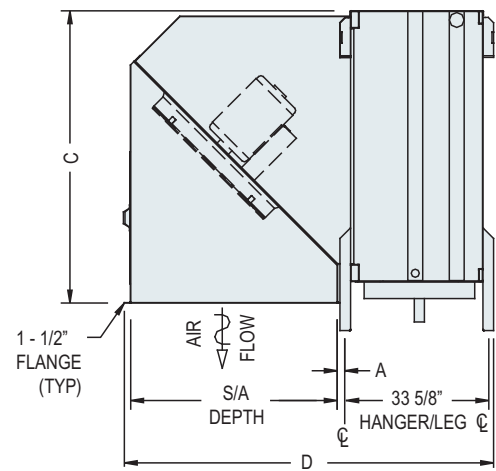
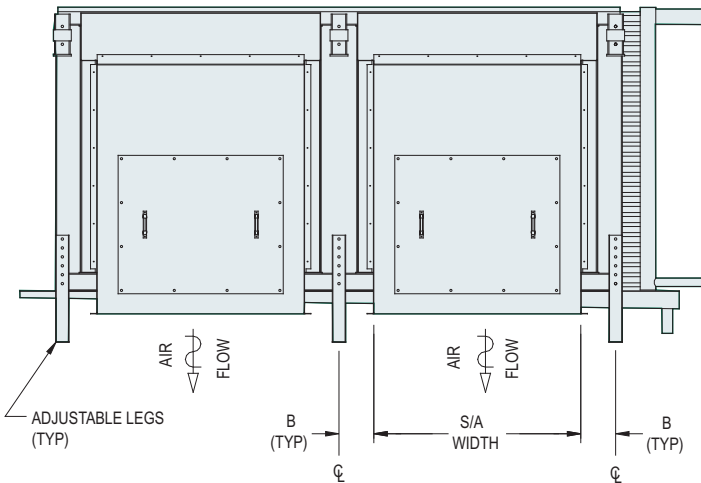
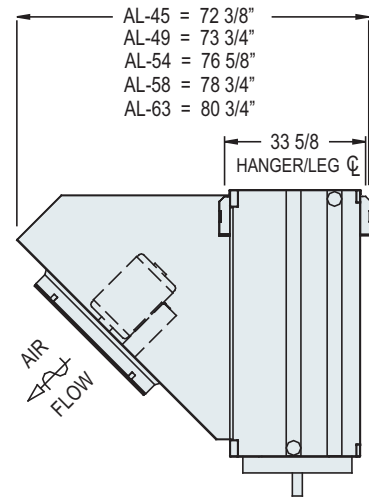
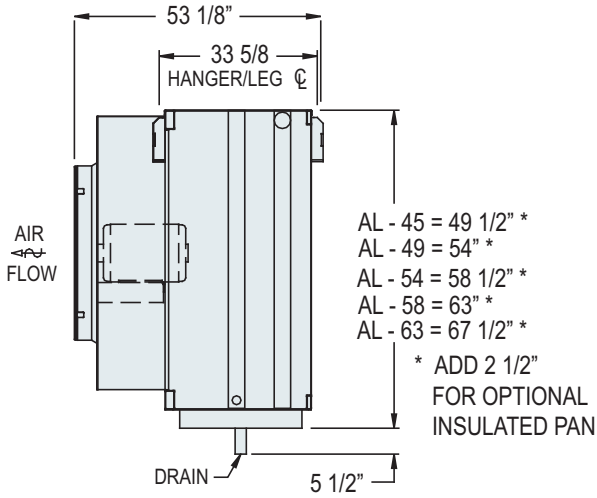
AL 3



AL 4



# Refrigeration



| Model   | Supply Air Width | Supply Air Depth | "A"     | "B"      | "C"       | "D"     |
|---------|------------------|------------------|---------|----------|-----------|---------|
| AL - 45 | 41-7/8"          | 30-1/2"          | 8"      | 10-1/16" | 50-13/16" | 78-3/4" |
| AL - 49 | 41-7/8"          | 35"              | 5-1/16" | 10-1/16" | 55-1/8"   | 81-3/4" |
| AL - 54 | 46-3/8"          | 39-1/2"          | 5"      | 7-13/16" | 59-13/16" | 84-3/4" |
| AL - 58 | 46-3/8"          | 44"              | 3-1/2"  | 7-13/16" | 64-5/16"  | 87-3/4" |
| AL - 63 | 46-3/8"          | 48-1/2"          | 2"      | 7-13/16" | 68-13/16" | 90-3/4" |

...because temperature matters™

