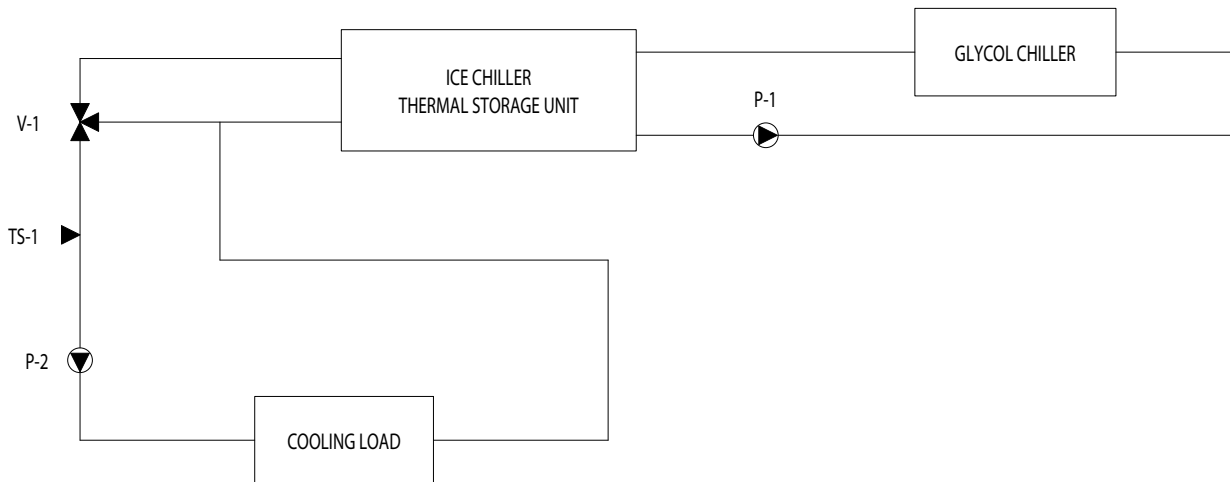


ICE CHILLER® THERMAL STORAGE UNIT

EXTERNAL MELT
SYSTEM SCHEMATIC
SINGLE LOOP, OPEN SYSTEM



| MODE | GLYCOL CHILLER | P-1 | P-2 | V-1 |
|----------|----------------|-----|-----|------|
| BUILD | ON | ON | OFF | --- |
| ICE ONLY | OFF | OFF | ON | MOD. |

NOTES:

1. MODULATES IN RESPONSE TO TS-1.

B.A.C.
ORDER NO:

DATE:



BALTIMORE AIRCOIL
COMPANY

ICE CHILLER® THERMAL STORAGE UNIT
EXTERNAL MELT

DRAWING NUMBER:
BAC-EM-1A