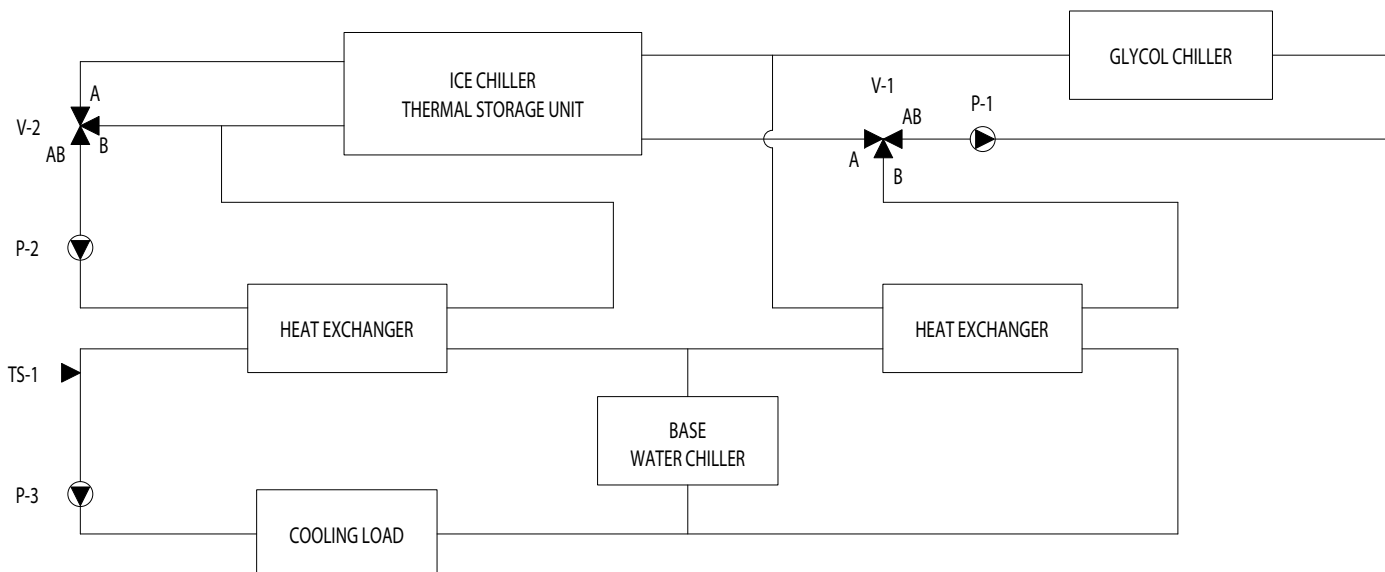


### ICE CHILLER® THERMAL STORAGE UNIT

EXTERNAL MELT  
SYSTEM SCHEMATIC  
CLOSED SYSTEM, OPTIONAL BASE WATER CHILLER



MODE	GLYCOL CHILLER	BASE CHILLER	P-1	P-2	P-3	V-1	V-2
BUILD	ON	OFF	ON	OFF	OFF	A-AB	---
BUILD AND COOL W/BASE CHILLER	ON	ON	ON	OFF	ON	A-AB	---
GLYCOL CHILLER ONLY	ON	OFF	ON	OFF	ON	B-AB	---
BASE CHILLER ONLY	OFF	ON	OFF	OFF	ON	---	---
ICE ONLY	OFF	OFF	OFF	ON	ON	---	MOD.
GLYCOL CHILLER AND BASE CHILLER ONLY	ON	ON	ON	OFF	ON	B-AB	---
GLYCOL CHILLER AND ICE ONLY	ON	OFF	ON	ON	ON	B-AB	MOD.
BASE CHILLER AND ICE ONLY	OFF	ON	OFF	ON	ON	---	MOD.
ICE, GLYCOL CHILLER AND BASE CHILLER	ON	ON	ON	ON	ON	B-AB	MOD.

NOTES:

1. MODULATES IN RESPONSE TO TS-1.

B.A.C.  
ORDER NO:

DATE:



**BALTIMORE AIRCOIL  
COMPANY**

ICE CHILLER® THERMAL STORAGE UNIT  
EXTERNAL MELT

DRAWING NUMBER:  
**BAC-EM-2A**