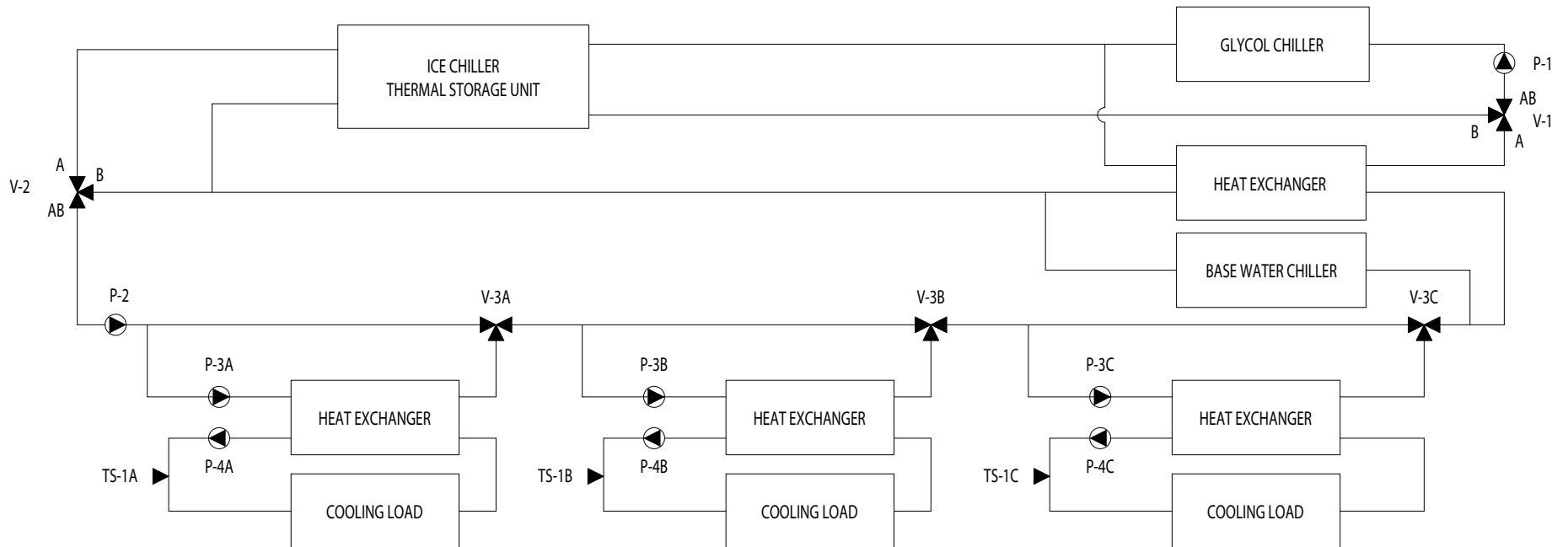


ICE CHILLER® THERMAL STORAGE UNIT

EXTERNAL MELT
SYSTEM SCHEMATIC
CLOSED SYSTEM

GLYCOL CHILLER UPSTREAM, OPTIONAL BASE WATER CHILLER IN PARALLEL



MODE	GLYCOL CHILLER	BASE CHILLER	P-1	P-2	P-3	P-4	V-1	V-2	V-3
BUILD	ON	OFF	ON	OFF	OFF	OFF	B-AB	---	---
BUILD AND COOL W/BASE CHILLER	ON	ON	ON	ON	ON	ON	B-AB	B-AB	MOD.
GLYCOL CHILLER ONLY	ON	OFF	ON	ON	ON	ON	A-AB	B-AB	MOD.
BASE CHILLER ONLY	OFF	ON	OFF	ON	ON	ON	---	B-AB	MOD.
ICE ONLY	OFF	OFF	OFF	ON	ON	ON	---	A-AB	MOD.
GLYCOL CHILLER AND BASE CHILLER ONLY	ON	ON	ON	ON	ON	ON	A-AB	B-AB	MOD.
GLYCOL CHILLER AND ICE ONLY	ON	OFF	ON	ON	ON	ON	A-AB	A-AB	MOD.
BASE CHILLER AND ICE ONLY	OFF	ON	OFF	ON	ON	ON	---	A-AB	MOD.
ICE, GLYCOL CHILLER AND BASE CHILLER	ON	ON	ON	ON	ON	ON	A-AB	A-AB	MOD.

NOTES
1. V-3 MODULATES IN RESPONSE TO TS-1

B.A.C.
ORDER NO:

DATE:



BALTIMORE AIRCOIL
COMPANY

ICE CHILLER® THERMAL STORAGE UNIT
EXTERNAL MELT

DRAWING NUMBER:
BAC-EM-3A