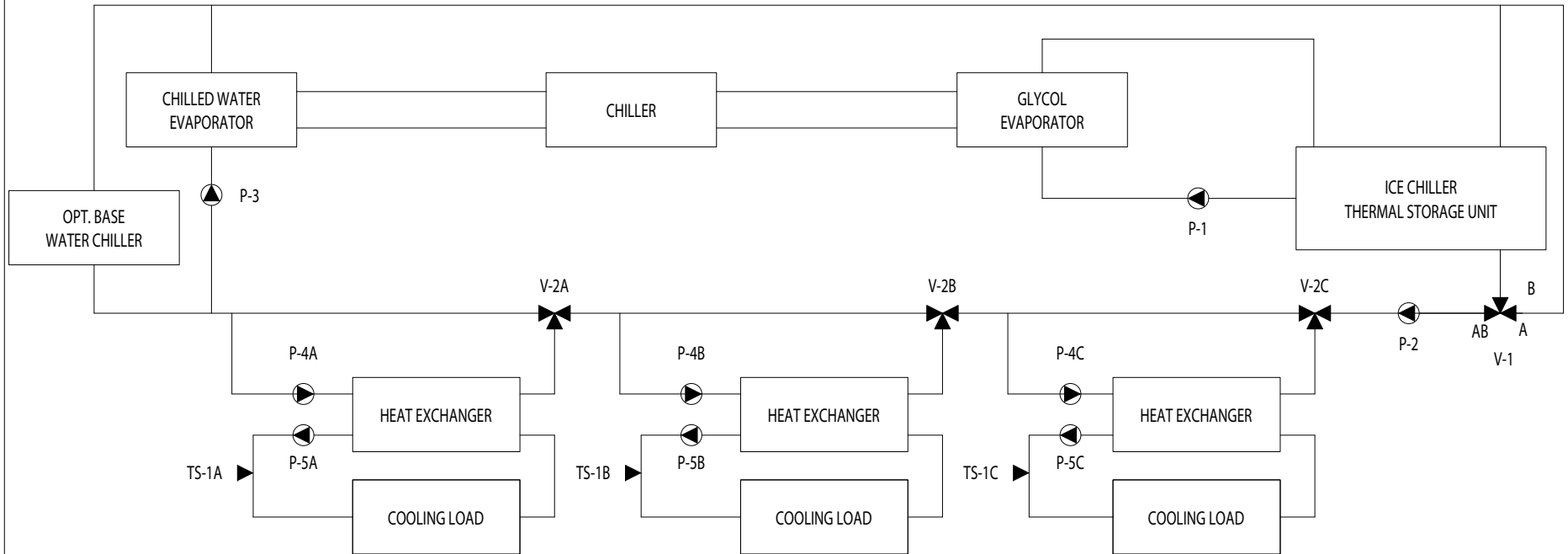


ICE CHILLER® THERMAL STORAGE UNIT

EXTERNAL MELT
SYSTEM SCHEMATIC
CLOSED SYSTEM, DUAL EVAPORATOR CHILLER UPSTREAM,
OPTIONAL BASE WATER CHILLER IN PARALLEL



MODE	DUAL EVAPORATOR CHILLER		BASE CHILLER	P-1	P-2	P-3	P-4	P-5	V-1	V-2
	GLYCOL EVAPORATOR	CHILLED WATER EVAPORATOR								
BUILD	ON	OFF	OFF	ON	OFF	OFF	OFF	OFF	---	---
BUILD AND COOL W/BASE CHILLER	ON	OFF	ON	ON	ON	OFF	ON	ON	A-AB	MOD.
BASE CHILLER ONLY	OFF	OFF	ON	OFF	ON	OFF	ON	ON	A-AB	MOD.
ICE ONLY	OFF	OFF	OFF	OFF	ON	OFF	ON	ON	B-AB	MOD.
WATER EVAP. AND BASE CHILLER ONLY	OFF	ON	ON	OFF	ON	ON	ON	ON	A-AB	MOD.
WATER EVAP. AND ICE ONLY	OFF	ON	OFF	OFF	ON	ON	ON	ON	B-AB	MOD.
BASE CHILLER AND ICE ONLY	OFF	OFF	ON	OFF	ON	OFF	ON	ON	B-AB	MOD.
ICE, WATER EVAP. AND BASE CHILLER	OFF	ON	ON	ON	ON	ON	ON	ON	B-AB	MOD.

NOTES
1. V-2 MODULATES IN RESPONSE TO TS-1

B.A.C.
ORDER NO:

DATE:



BALTIMORE AIRCOIL
COMPANY

ICE CHILLER® THERMAL STORAGE UNIT
EXTERNAL MELT

DRAWING NUMBER:
BAC-EM-4A