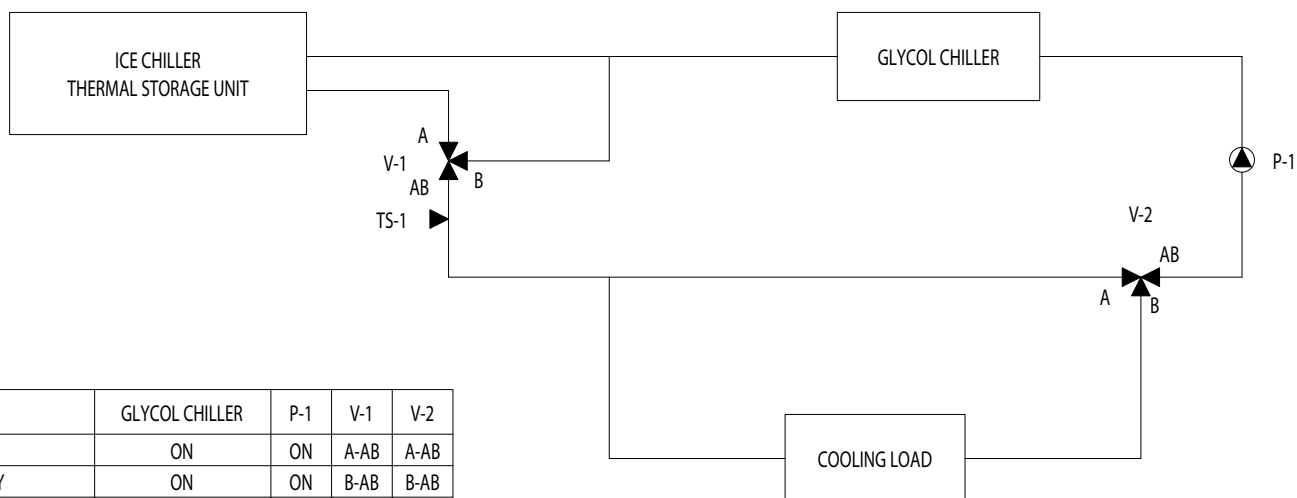


ICE CHILLER® THERMAL STORAGE UNIT

INTERNAL MELT
SYSTEM SCHEMATIC
SINGLE LOOP, GLYCOL CHILLER UPSTREAM



MODE	GLYCOL CHILLER	P-1	V-1	V-2
BUILD	ON	ON	A-AB	A-AB
GLYCOL CHILLER ONLY	ON	ON	B-AB	B-AB
ICE ONLY	OFF	ON	MOD.	B-AB
GLYCOL CHILLER AND ICE ONLY	ON	ON	MOD.	B-AB

NOTES:

1. V-2 CAN BE POSITIONED TO PROVIDE A CONSTANT FLOWRATE TO THE LOAD OR MODULATE IN RESPONSE TO RETURN TEMPERATURE.
2. V-1 MODULATES IN RESPONSE TO TS-1.

B.A.C.
ORDER NO:



BALTIMORE AIRCOIL
COMPANY

ICE CHILLER® THERMAL STORAGE UNIT
INTERNAL MELT

DRAWING NUMBER:
BAC-IM-1A

DATE: