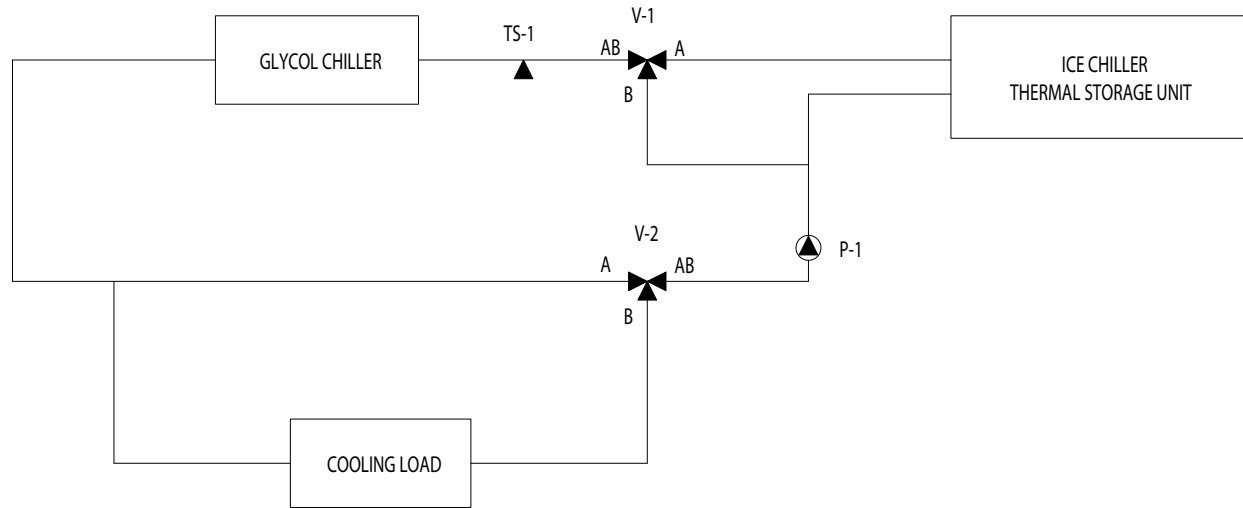


**ICE CHILLER® THERMAL STORAGE UNIT**  
 INTERNAL MELT  
 SYSTEM SCHEMATIC  
 SINGLE LOOP, GLYCOL CHILLER DOWNSTREAM

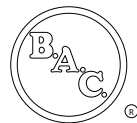


MODE	GLYCOL CHILLER	P-1	V-1	V-2
BUILD	ON	ON	A-AB	A-AB
GLYCOL CHILLER ONLY	ON	ON	B-AB	B-AB
ICE ONLY	OFF	ON	MOD.	B-AB
GLYCOL CHILLER AND ICE ONLY	ON	ON	MOD.	B-AB

NOTES:

- V-2 CAN BE POSITIONED TO PROVIDE A CONSTANT FLOWRATE TO THE LOAD OR MODULATE IN RESPONSE TO RETURN TEMPERATURE.
- V-1 MODULATES IN RESPONSE TO TS-1.

B.A.C.  
ORDER NO:



**BALTIMORE AIRCOIL  
COMPANY**

**ICE CHILLER® THERMAL STORAGE UNIT  
INTERNAL MELT**

DATE:

DRAWING NUMBER:  
**BAC-IM-2A**