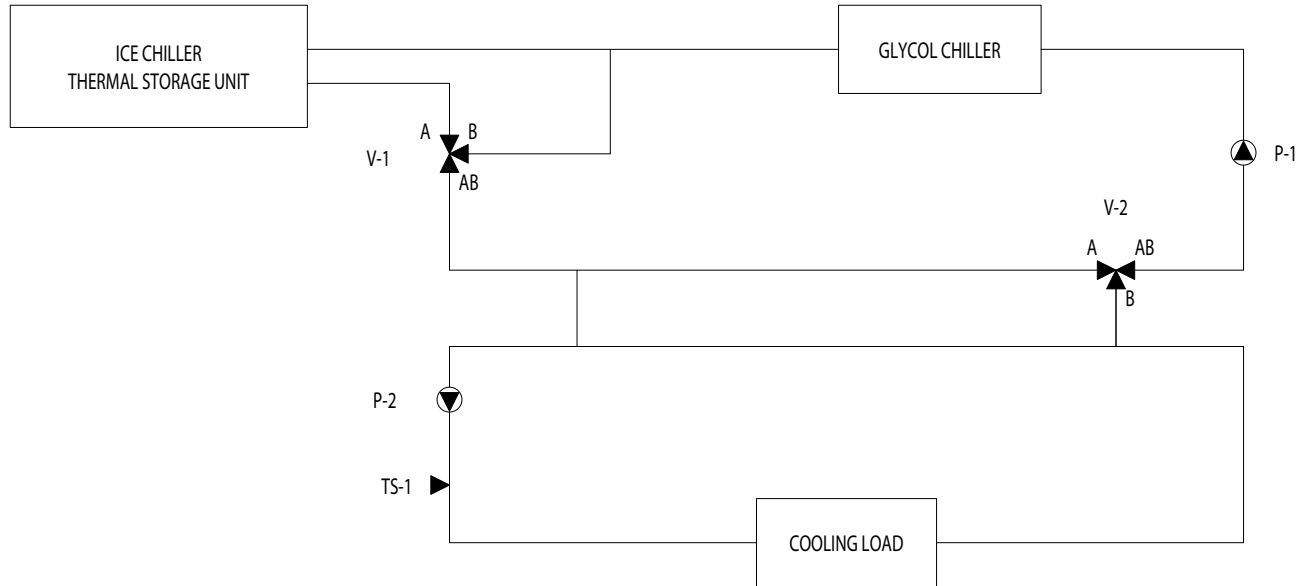


ICE CHILLER® THERMAL STORAGE UNIT
 INTERNAL MELT
 SYSTEM SCHEMATIC
 PRIMARY/SECONDARY LOOP, GLYCOL CHILLER UPSTREAM



MODE	GLYCOL CHILLER	P-1	P-2	V-1	V-2
BUILD	ON	ON	OFF	A-AB	A-AB
BUILD AND COOL WITH GLYCOL CHILLER	ON	ON	ON	A-AB	MOD.
GLYCOL CHILLER ONLY	ON	ON	ON	B-AB	B-AB
ICE ONLY	OFF	ON	ON	MOD.	B-AB
GLYCOL CHILLER AND ICE ONLY	ON	ON	ON	MOD.	B-AB

NOTES:

- V-1 AND V-2 MODULATES IN RESPONSE TO TS-1.

B.A.C.
 ORDER NO:



**BALTIMORE AIRCOIL
 COMPANY**

**ICE CHILLER® THERMAL STORAGE UNIT
 INTERNAL MELT**

DATE:

DRAWING NUMBER:
BAC-IM-3A