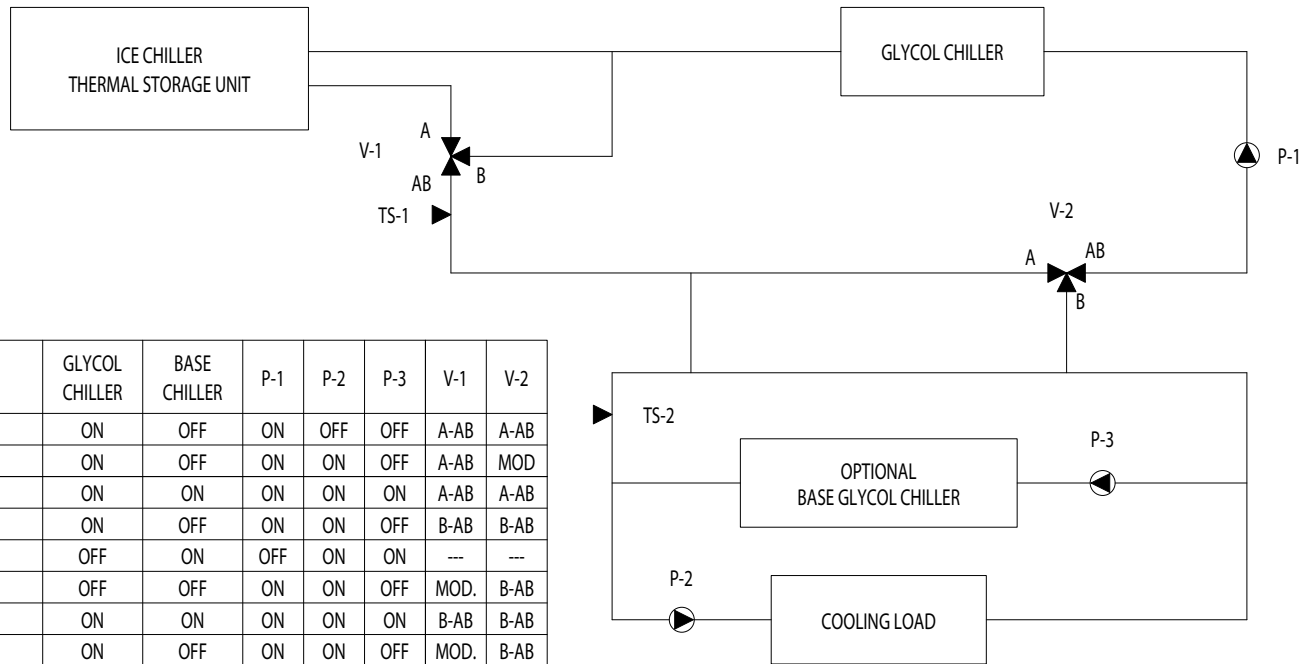


ICE CHILLER® THERMAL STORAGE UNIT
 INTERNAL MELT
 SYSTEM SCHEMATIC
 PRIMARY/SECONDARY LOOP, GLYCOL CHILLER UPSTREAM
 OPTIONAL BASE GLYCOL CHILLER IN PARALLEL



MODE	GLYCOL CHILLER	BASE CHILLER	P-1	P-2	P-3	V-1	V-2
BUILD	ON	OFF	ON	OFF	OFF	A-AB	A-AB
BUILD AND COOL WITH GLYCOL CHILLER	ON	OFF	ON	ON	OFF	A-AB	MOD
BUILD AND COOL WITH BASE CHILLER	ON	ON	ON	ON	ON	A-AB	A-AB
GLYCOL CHILLER ONLY	ON	OFF	ON	ON	OFF	B-AB	B-AB
BASE CHILLER ONLY	OFF	ON	OFF	ON	ON	---	---
ICE ONLY	OFF	OFF	ON	ON	OFF	MOD.	B-AB
GLYCOL CHILLER AND BASE CHILLER ONLY	ON	ON	ON	ON	ON	B-AB	B-AB
GLYCOL CHILLER AND ICE ONLY	ON	OFF	ON	ON	OFF	MOD.	B-AB
BASE CHILLER AND ICE ONLY	OFF	ON	ON	ON	ON	MOD.	B-AB
ICE, GLYCOL CHILLER AND BASE CHILLER	ON	ON	ON	ON	ON	MOD.	B-AB

NOTES:

1. V-1 MODULATES IN RESPONSE TO TS-1.
2. V-2 MODULATES IN RESPONSE TO TS-2.

B.A.C.
ORDER NO:



**BALTIMORE AIRCOIL
COMPANY**

**ICE CHILLER® THERMAL STORAGE UNIT
INTERNAL MELT**

DATE:

DRAWING NUMBER:
BAC-IM-3B