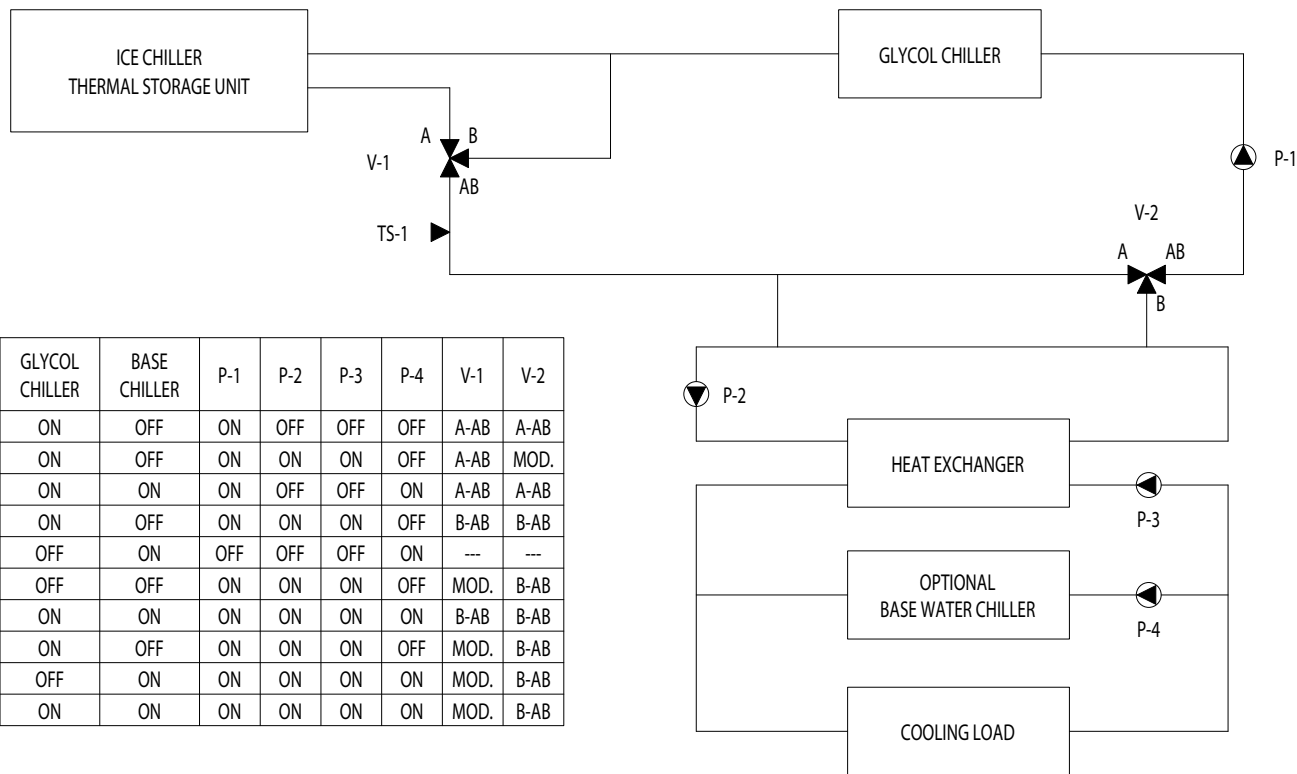


ICE CHILLER® THERMAL STORAGE UNIT

INTERNAL MELT
SYSTEM SCHEMATIC
PRIMARY/SECONDARY LOOP WITH HEAT EXCHANGER, GLYCOL CHILLER UPSTREAM
OPTIONAL BASE WATER CHILLER IN PARALLEL



MODE	GLYCOL CHILLER	BASE CHILLER	P-1	P-2	P-3	P-4	V-1	V-2
BUILD	ON	OFF	ON	OFF	OFF	OFF	A-AB	A-AB
BUILD AND COOL WITH GLYCOL CHILLER	ON	OFF	ON	ON	ON	OFF	A-AB	MOD.
BUILD AND COOL WITH BASE CHILLER	ON	ON	ON	OFF	OFF	ON	A-AB	A-AB
GLYCOL CHILLER ONLY	ON	OFF	ON	ON	ON	OFF	B-AB	B-AB
BASE CHILLER ONLY	OFF	ON	OFF	OFF	OFF	ON	---	---
ICE ONLY	OFF	OFF	ON	ON	ON	OFF	MOD.	B-AB
GLYCOL CHILLER AND BASE CHILLER ONLY	ON	ON	ON	ON	ON	ON	B-AB	B-AB
GLYCOL CHILLER AND ICE ONLY	ON	OFF	ON	ON	ON	OFF	MOD.	B-AB
BASE CHILLER AND ICE ONLY	OFF	ON	ON	ON	ON	ON	MOD.	B-AB
ICE, GLYCOL CHILLER AND BASE CHILLER	ON	ON	ON	ON	ON	ON	MOD.	B-AB

NOTES:

- V-1 AND V-2 MODULATES IN RESPONSE TO TS-1.
- TS-1 CAN ALSO BE INSTALLED IN THE HEAT EXCHANGER HOT SIDE OUTLET.

B.A.C.
ORDER NO:



BALTIMORE AIRCOIL
COMPANY

ICE CHILLER® THERMAL STORAGE UNIT
INTERNAL MELT

DRAWING NUMBER:
BAC-IM-3D

DATE: