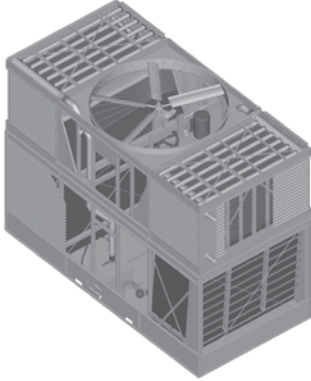
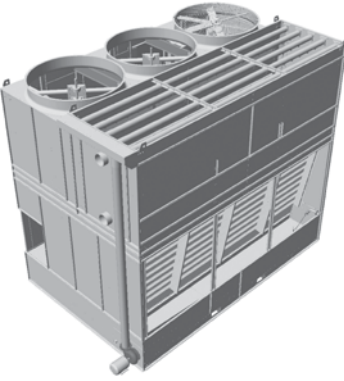


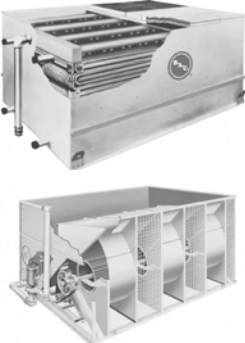
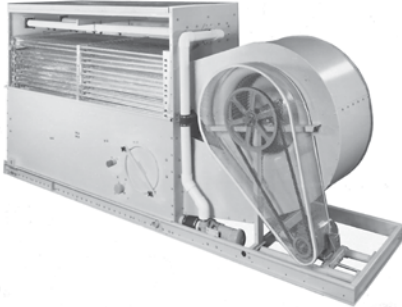


EVAPORATIVE CONDENSER

# Unique Features

	CXV-T	CXV	PC2
Model			
Flow and Fan System	Combined Flow, Induced Draft, Axial Fan	Combined Flow, Induced Draft, Axial Fan	Counterflow, Induced Draft, Axial Fan
Cataloged Capacity Range	645 - 1,888 Nominal Tons*	64 - 962 Nominal Tons*	41 - 2,506 Nominal Tons*
<b>UNIQUE FEATURES</b>	<ul style="list-style-type: none"> <li>• Lowest refrigerant charge per ton</li> <li>• Lowest cost for large projects</li> <li>• Fewer piping connections</li> <li>• Layout flexibility</li> <li>• Easy maintenance</li> </ul>	<ul style="list-style-type: none"> <li>• Lowest refrigerant charge per ton</li> <li>• Less piping connections</li> <li>• Layout flexibility</li> <li>• Easy maintenance</li> </ul>	<ul style="list-style-type: none"> <li>• Replacement of existing installations</li> <li>• Redundant fan option on 12' x 18' units</li> <li>• Winter dry operation</li> <li>• Seismic rating up to 3.75g</li> <li>• Export units</li> </ul>

\*Nominal Tons (R-717) at 96.3°F CT, 20°F SST, 78°F EWB

VCA	VC1	LOW PROFILE VCL	
			Model
Counterflow, Forced Draft, Axial Fan	Counterflow, Forced Draft, Centrifugal Fan	Counterflow, Forced Draft, Centrifugal Fan	Flow and Fan System
87 - 1,433 Nominal Tons*	7 - 1,140 Nominal Tons*	11 - 212 Nominal Tons*	Catalogued Capacity Range
<ul style="list-style-type: none"> <li>• Easiest motor access</li> <li>• Independent fan drives</li> <li>• Pre-assembled platforms</li> <li>• 24' long coils for reduced piping</li> <li>• Seismic rating up to 1.6g</li> </ul>	<ul style="list-style-type: none"> <li>• Low sound by design</li> <li>• Indoor and outdoor installations</li> <li>• Split coils for multiple compressors (optional)</li> <li>• Copper connections (optional)</li> <li>• Export units</li> </ul>	<ul style="list-style-type: none"> <li>• Low sound by design</li> <li>• Easily hidden</li> <li>• Indoor and outdoor installations</li> <li>• Single piece shipping and rigging</li> </ul>	<b>UNIQUE FEATURES</b>

\*Nominal Tons (R-717) at 96.3°F CT, 20°F SST, 78°F EWB