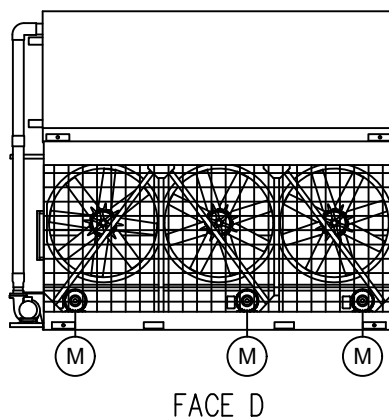
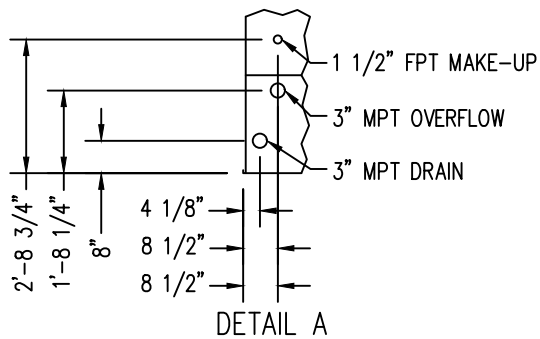
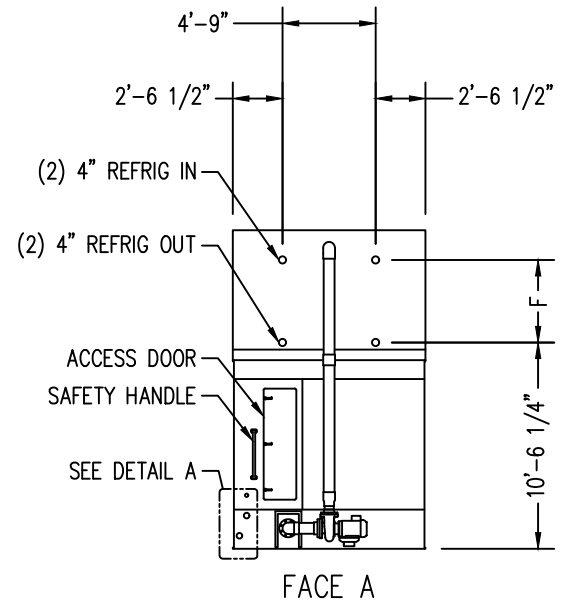
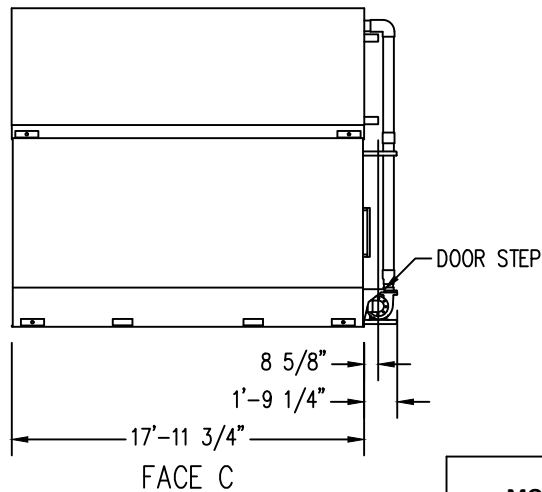
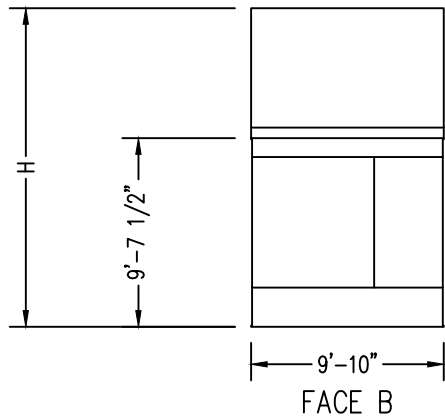
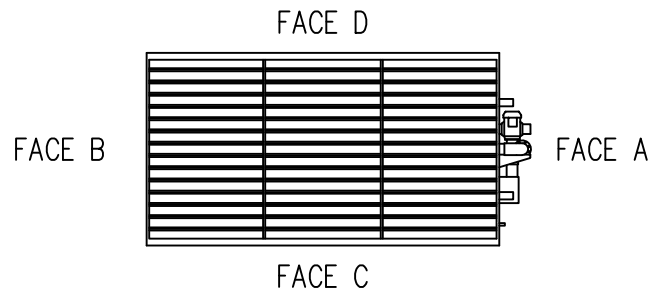


Notes

- 1) Drawings are not to scale.
- 2) Dimensions are in feet and inches. Weights are in pounds and include options and accessories.
- 3) Unless otherwise indicated, connections 3" and smaller are MPT.
- 4) Dimensions showing location of coil & basin connections are approximate and should not be used for prefabrication of connecting piping.
- 5) For weight loadings and support requirements, refer to suggested steel support drawing.
- 6) Area above the air discharge must be unobstructed.
- 7) Field piping must not be supported by the unit inlet or outlet connections.
- 8) For belt drive units, M = Motor location, M1 = Large Motor Location, M2 = Small Motor Location.



MODEL NO.	APPROX. SHIPPING WEIGHT	APPROX. OPERATING WEIGHT	HEAVIEST SECTION (COIL)	F	H
VRC-0327B-1018N-HA	17420	23790	9330	3'-7 1/16"	15'-7 11/16"
VRC-0360B-1018N-JA	17610	23980	9330	3'-7 1/16"	15'-7 11/16"
VRC-0386B-1018N-KA	17680	24050	9330	3'-7 1/16"	15'-7 11/16"
VRC-0362B-1018N-HA	18770	25260	10680	3'-7 1/16"	15'-7 11/16"
VRC-0399B-1018N-JA	18960	25450	10680	3'-7 1/16"	15'-7 11/16"
VRC-0427B-1018N-KA	19030	25520	10680	3'-7 1/16"	15'-7 11/16"
VRC-0347B-1018N-GA	21120	27750	13020	4'-10 1/16"	16'-10 11/16"
VRC-0432B-1018N-JA	21300	27930	13020	4'-10 1/16"	16'-10 11/16"
VRC-0464B-1018N-KA	21370	28000	13020	4'-10 1/16"	16'-10 11/16"
VRC-0502B-1018N-KA	22520	29260	14170	4'-10 1/16"	16'-10 11/16"
VRC-0553B-1018N-LA	23010	29750	14170	4'-10 1/16"	16'-10 11/16"

Right Hand Unit

ORDER NO:

DATE:



**BALTIMORE AIRCOIL COMPANY**

**Vertex™ Evaporative Condenser  
Single Cell Unit Print**

DRAWING NUMBER: