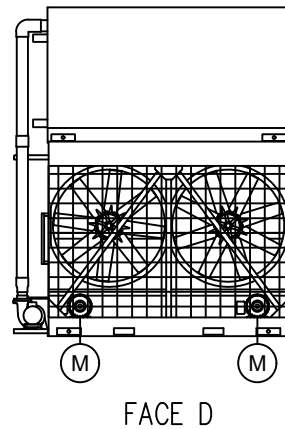
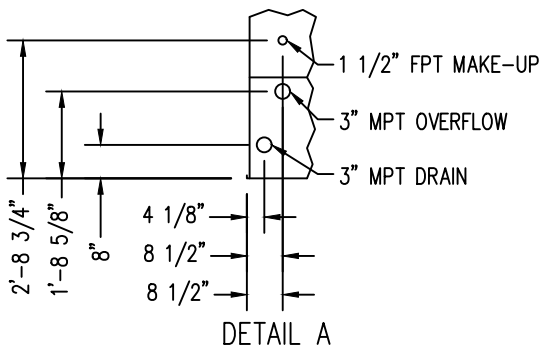
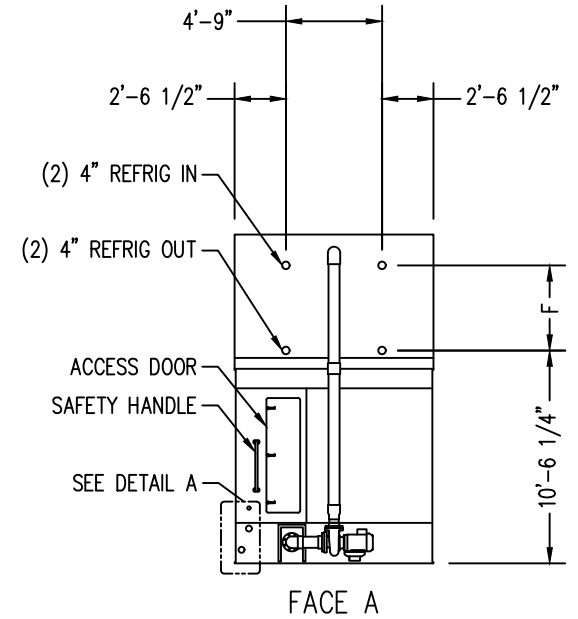
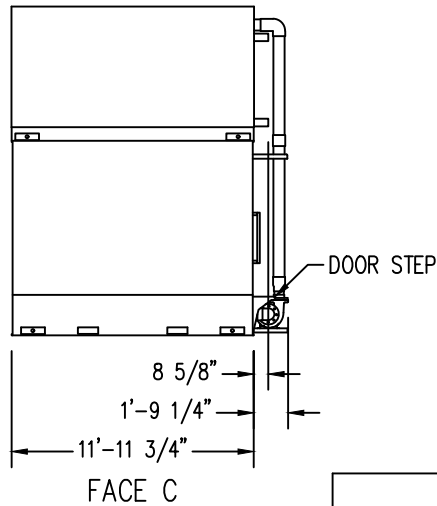
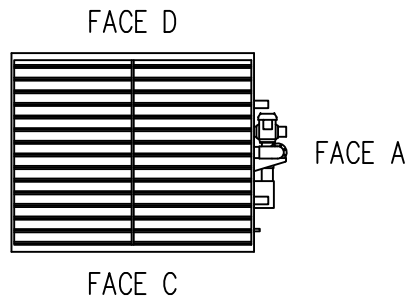
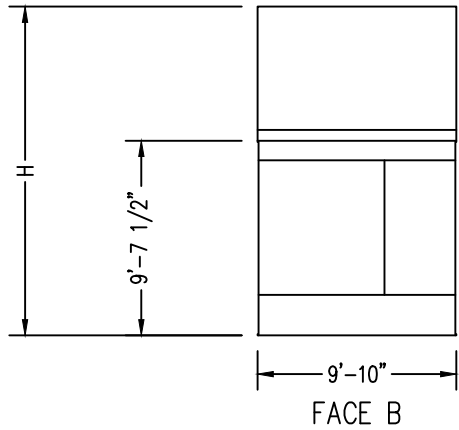


Notes

- 1) Drawings are not to scale.
- 2) Dimensions are in feet and inches. Weights are in pounds and include options and accessories.
- 3) Unless otherwise indicated, connections 3" and smaller are MPT.
- 4) Dimensions showing location of coil & basin connections are approximate and should not be used for prefabrication of connecting piping.
- 5) For weight loadings and support requirements, refer to suggested steel support drawing.
- 6) Area above the air discharge must be unobstructed.
- 7) Field piping must not be supported by the unit inlet or outlet connections.
- 8) For belt drive units, M = Motor location, M1 = Large Motor Location, M2 = Small Motor Location.



MODEL NO.	APPROX. SHIPPING WEIGHT	APPROX. OPERATING WEIGHT	HEAVIEST SECTION (COIL)	F	H
VRC-0213B-1012N-HA	12710	17050	6640	3'-7 1/16"	15'-7 11/16"
VRC-0235B-1012N-JA	12840	17180	6640	3'-7 1/16"	15'-7 11/16"
VRC-0242B-1012N-HA	13610	18030	7530	3'-7 1/16"	15'-7 11/16"
VRC-0266B-1012N-JA	13740	18160	7530	3'-7 1/16"	15'-7 11/16"
VRC-0285B-1012N-KA	13780	18210	7530	3'-7 1/16"	15'-7 11/16"
VRC-0286B-1012N-JA	15620	20130	9420	4'-10 1/16"	16'-10 11/16"
VRC-0305B-1012N-KA	15670	20180	9420	4'-10 1/16"	16'-10 11/16"
VRC-0336B-1012N-LA	15990	20510	9420	4'-10 1/16"	16'-10 11/16"
VRC-0279B-1012N-HA	16280	20860	10200	4'-10 1/16"	16'-10 11/16"
VRC-0307B-1012N-JA	16400	20990	10200	4'-10 1/16"	16'-10 11/16"
VRC-0330B-1012N-KA	16450	21040	10200	4'-10 1/16"	16'-10 11/16"
VRC-0364B-1012N-LA	16770	21360	10200	4'-10 1/16"	16'-10 11/16"

Right Hand Unit

ORDER NO:

DATE:



BALTIMORE AIRCOIL COMPANY

**Vertex™ Evaporative Condenser
Single Cell Unit Print**

DRAWING NUMBER: