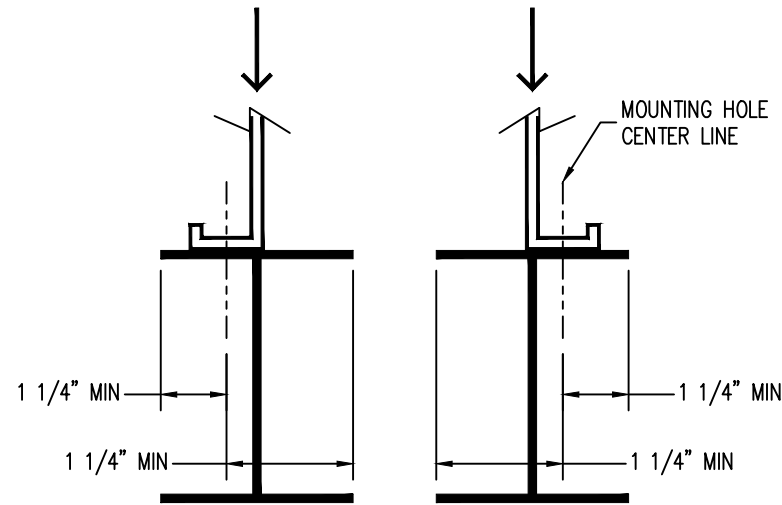


MODEL NO.	APPROX. SHIPPING WEIGHT	APPROX. OPERATING WEIGHT
VRC-0327B-1018N-HA	17420	23790
VRC-0360B-1018N-JA	17610	23980
VRC-0386B-1018N-KA	17680	24050
VRC-0362B-1018N-HA	18770	25260
VRC-0399B-1018N-JA	18960	25450
VRC-0427B-1018N-KA	19030	25520
VRC-0347B-1018N-GA	21120	27750
VRC-0432B-1018N-JA	21300	27930
VRC-0464B-1018N-KA	21370	28000
VRC-0502B-1018N-KA	22520	29260
VRC-0553B-1018N-LA	23010	29750

Notes

- 1) Drawings are not to scale.
- 2) All dimensions are in feet and inches. Weights are in pounds and include options and accessories.
- 3) Operating weight and weight loading are for units with water level in cold water basin at overflow.
- 4) Unit support beams and anchor bolts to be designed and furnished by others. Minimum dimensions shown in Section A-A are provided only to ensure proper support of unit.
- 5) Support beams must be flush and level at top.
- 6) Support beams are not limited to an I-beam shape.
- 7) Each beam should be designed, as a minimum, for 65% of the total unit operating weight applied as a uniformly distributed load.
- 8) If vibration isolators are used, they should be installed under the support beams and should never have direct contact with the unit.



SECTION A-A

ORDER NO: _____

DATE: _____



**BALTIMORE
AIRCOIL COMPANY**

**Vertex™ Evaporative Condenser
Single Cell Unit Support**

DRAWING NUMBER: _____