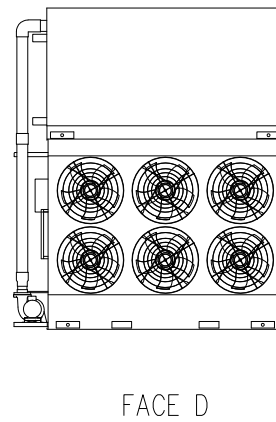
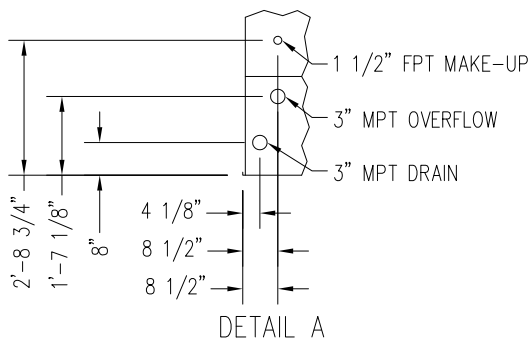
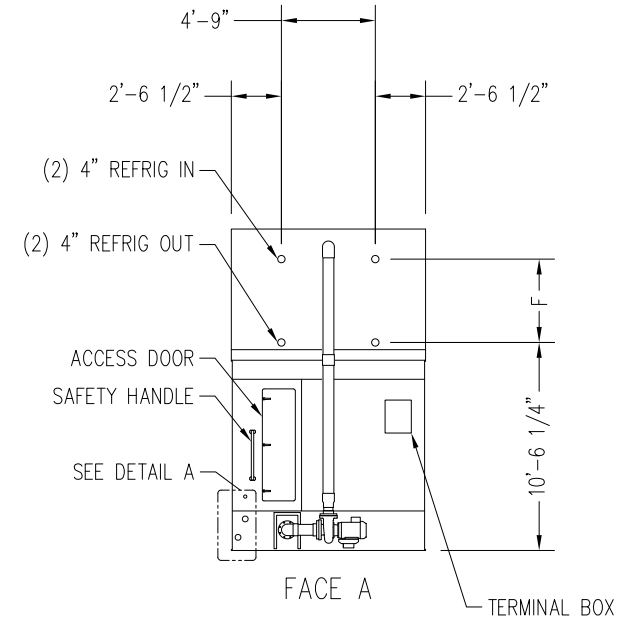
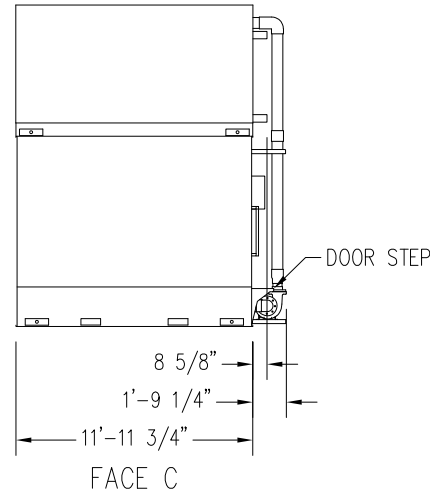
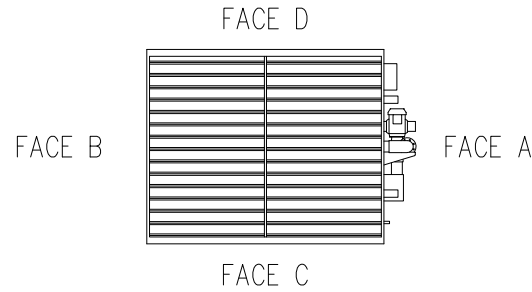
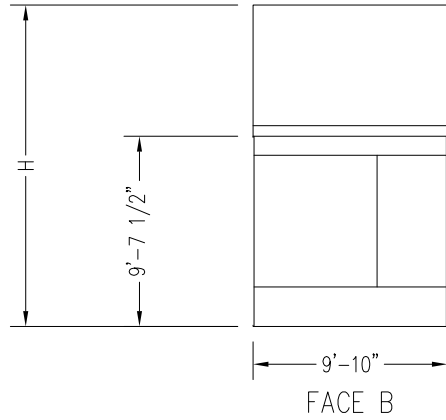


- Notes
- 1) Drawings are not to scale.
 - 2) Dimensions are in feet and inches. Weights are in pounds and include options and accessories.
 - 3) Unless otherwise indicated, connections 3" and smaller are MPT.
 - 4) Dimensions showing location of coil & basin connections are approximate and should not be used for prefabrication of connecting piping.
 - 5) For weight loadings and support requirements, refer to suggested steel support drawing.
 - 6) Area above the air discharge must be unobstructed.
 - 7) Field piping must not be supported by the unit inlet or outlet connections.



MODEL NUMBER	APPROX. SHIPPING WEIGHT	APPROX. OPERATING WEIGHT	HEAVIEST SECTION (COIL)	F	H
VRC-0269B-1012N-HB	12,330	16,680	6,640	3'-7"	15'-8"
VRC-0297B-1012N-JB	12,330	16,680	6,640	3'-7"	15'-8"
VRC-0301B-1012N-HB	13,220	17,660	7,540	3'-7"	15'-8"
VRC-0332B-1012N-JB	13,220	17,660	7,540	3'-7"	15'-8"
VRC-0323B-1012N-HB	15,110	19,640	9,420	4'-10"	16'-11"
VRC-0356B-1012N-JB	15,110	19,640	9,420	4'-10"	16'-11"
VRC-0346B-1012N-HB	15,890	20,490	10,200	4'-10"	16'-11"
VRC-0383B-1012N-JB	15,890	20,490	10,200	4'-10"	16'-11"

Right Hand Unit

ORDER NO:

DATE:



BALTIMORE AIRCOIL COMPANY

**Vertex™ Evaporative Condenser
Single Cell Unit Print**

DRAWING NUMBER: