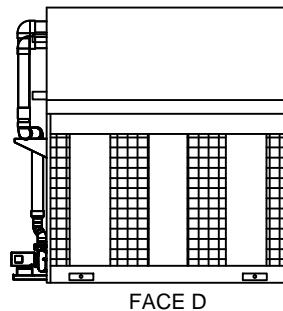
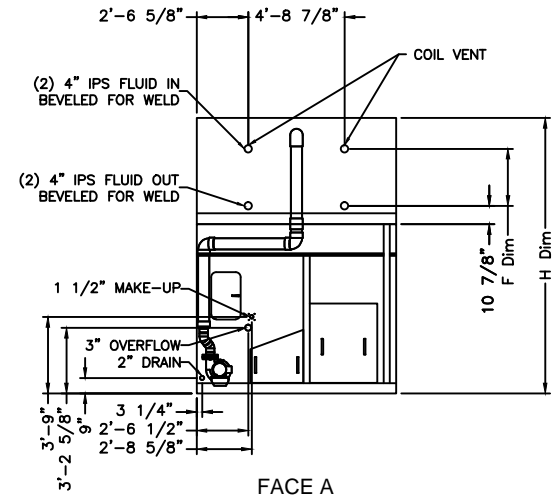
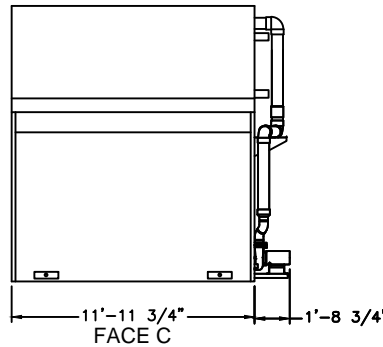
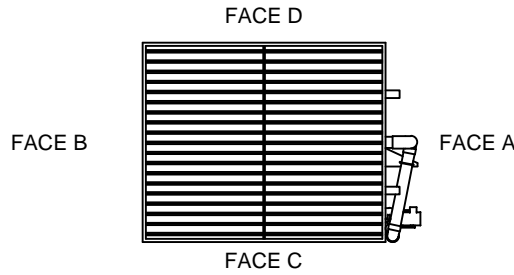
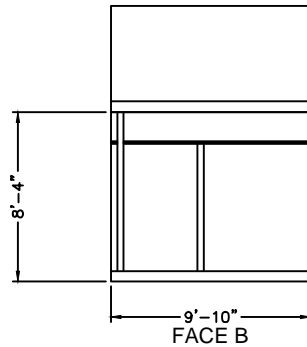


Notes

- 1) All dimensions are in feet and inches. Weights are in pounds.
- 2) Dimensions showing location of coil and spray water connections are approximate and should not be used for prefabrication of connecting piping.
- 3) The area above the discharge of the fan must be unobstructed.
- 4) For weight loading and support requirements refer to the suggested steel support drawing.
- 5) Do not support piping from unit connections. All necessary piping supports to be supplied by others.
- 6) Weights include all the options and accessories.
- 7) All unit piping connections 3" and smaller are MPT unless otherwise noted.
- 8) Coil is provided with a 1/2" threaded vent located on the upper outlet pipe stub.



Model Number	Operating Weight	Shipping Weight	Heaviest Section	H Dim	F Dim
VF1-1012N-4D2AS-O1	19910	13560	8460	13'-6 1/4"	2'-9 3/4"
VF1-1012N-4D2AS-P1	20070	13720	8460	13'-6 1/4"	2'-9 3/4"
VF1-1012N-4D2AS-Q1	20095	13745	8460	13'-6 1/4"	2'-9 3/4"
VF1-1012N-4D2AS-R1	20500	14150	8660	14'-0 1/4"	2'-9 3/4"
VF1-1012N-5D2AS-O1	22150	15200	10100	14'-3 1/2"	3'-6 1/2"
VF1-1012N-5D2AS-P1	22310	15360	10100	14'-3 1/2"	3'-6 1/2"
VF1-1012N-5D2AS-Q1	22335	15385	10100	14'-3 1/2"	3'-6 1/2"
VF1-1012N-5D2AS-R1	22740	15790	10300	14'-9 1/2"	3'-6 1/2"
VF1-1012N-6D2AS-O1	24150	16600	11500	14'-4"	3'-7 1/8"
VF1-1012N-6D2AS-P1	24310	16760	11500	14'-4"	3'-7 1/8"
VF1-1012N-6D2AS-Q1	24335	16785	11500	14'-4"	3'-7 1/8"
VF1-1012N-6D2AS-R1	24740	17190	11700	14'-10"	3'-7 1/8"
VF1-1012N-6D2AS-S1	24830	17280	11700	14'-10"	3'-7 1/8"
VF1-1012N-7D2AS-O1	26330	18180	13080	14'-11 1/2"	4'-2 5/8"
VF1-1012N-7D2AS-P1	26490	18340	13080	14'-11 1/2"	4'-2 5/8"
VF1-1012N-7D2AS-Q1	26515	18365	13080	14'-11 1/2"	4'-2 5/8"
VF1-1012N-7D2AS-R1	26920	18770	13280	15'-5 1/2"	4'-2 5/8"
VF1-1012N-7D2AS-S1	27010	18860	13280	15'-5 1/2"	4'-2 5/8"
VF1-1012N-8D2AS-O1	28500	19750	14650	15'-7"	4'-9 1/8"
VF1-1012N-8D2AS-P1	28660	19910	14650	15'-7"	4'-9 1/8"
VF1-1012N-8D2AS-Q1	28685	19935	14650	15'-7"	4'-9 1/8"
VF1-1012N-8D2AS-R1	29090	20340	14850	16'-1"	4'-9 1/8"
VF1-1012N-8D2AS-S1	29180	20430	14850	16'-1"	4'-9 1/8"

ORDER NO:

DATE: **11/11/2016**



**BALTIMORE AIRCOIL COMPANY**

**VF1 Single Cell Unit Print**

DRAWING NUMBER:  
**10x12 Non-Circuited**