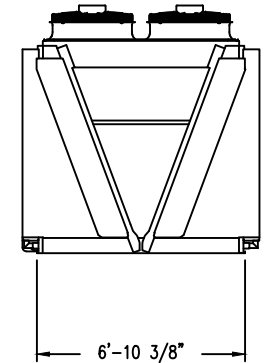
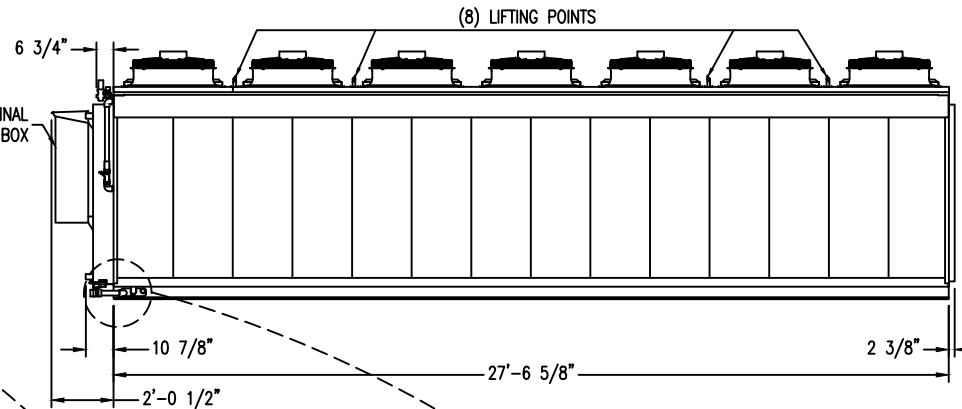
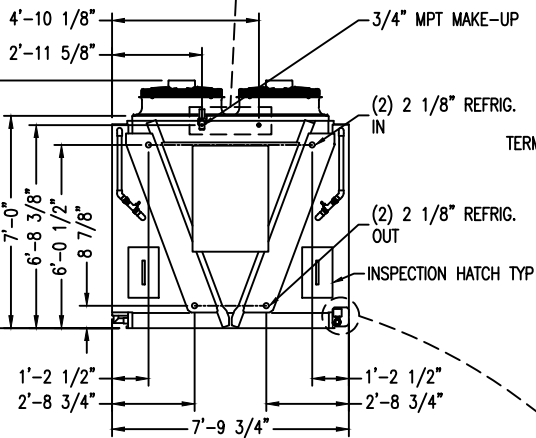
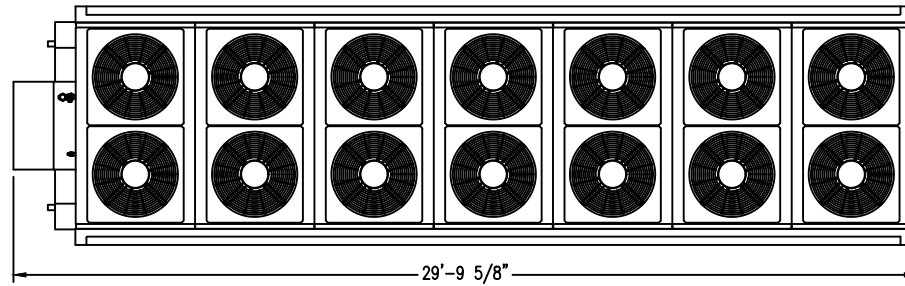
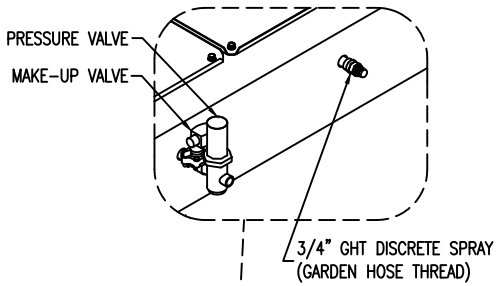
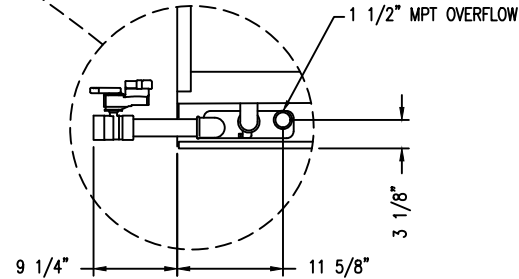
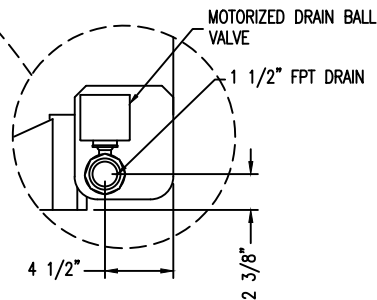


ISOMETRIC DETAIL VIEW



- Notes
- 1) All dimensions are in feet and inches. Weights are in pounds and include options and accessories.
  - 2) Dimensions showing locations of coil & basin connections are approximate and should not be used for prefabrication of connecting piping.
  - 3) For weight loadings and support requirements, refer to the suggested steel support drawing.
  - 4) The area above the fan discharge must not be obstructed.
  - 5) Field piping must not be supported by the unit inlet or outlet connections.



EASY PAD REMOVAL SYSTEM

Model Number	Shipping Weight	Operating Weight	Heaviest Section
TSDC2-CO2-698-43.4	13156	14652	13156

ORDER NO:

DATE:



**BALTIMORE AIRCOIL COMPANY**

**TrilliumSeries™ Adiabatic Condenser  
Fourteen Fan Unit Print**

DRAWING NUMBER: