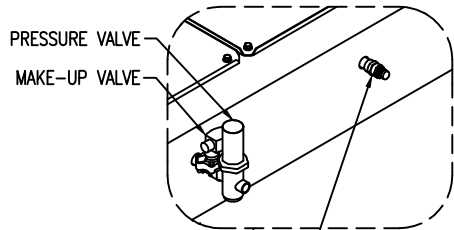
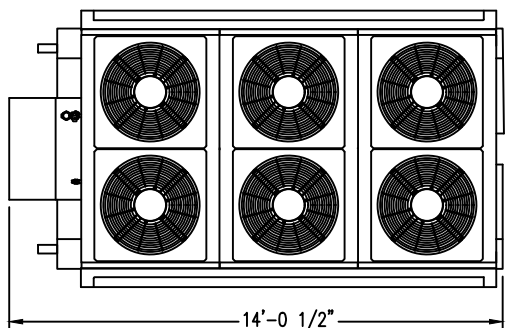


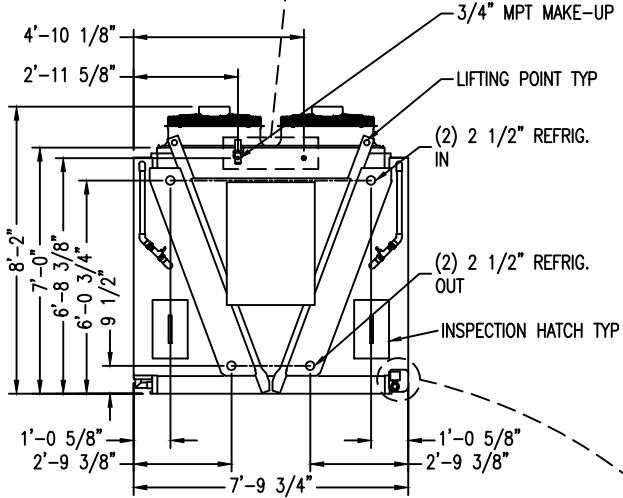
ISOMETRIC DETAIL VIEW



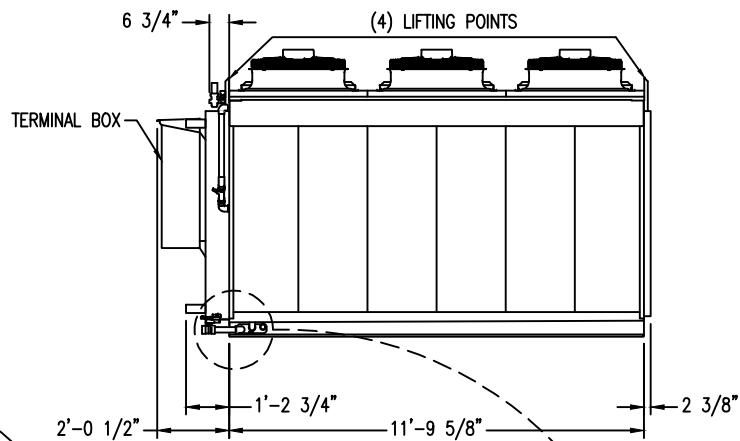
PRESSURE VALVE
MAKE-UP VALVE
3/4" GHT DISCRETE SPRAY
(GARDEN HOSE THREAD)



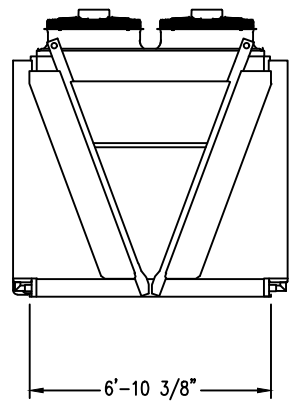
14'-0 1/2"



4'-10 1/8"
2'-11 5/8"
3/4" MPT MAKE-UP
LIFTING POINT TYP
(2) 2 1/2" REFRIG. IN
(2) 2 1/2" REFRIG. OUT
INSPECTION HATCH TYP
8'-2"
7'-0"
6'-8 3/8"
6'-0 3/4"
9 1/2"
1'-0 5/8"
2'-9 3/8"
7'-9 3/4"
1'-0 5/8"
2'-9 3/8"

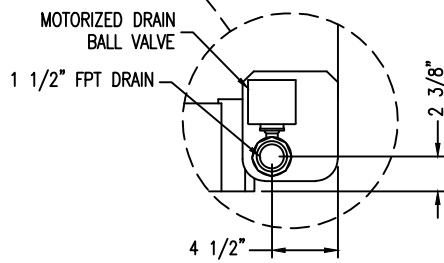


6 3/4"
(4) LIFTING POINTS
TERMINAL BOX
2'-0 1/2"
1'-2 3/4"
11'-9 5/8"
2 3/8"

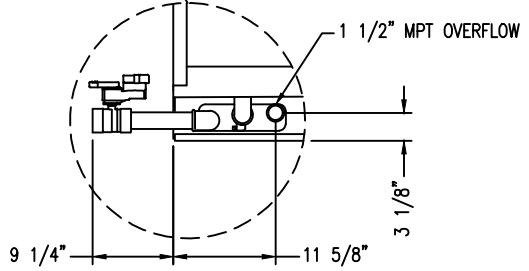


6'-10 3/8"

- Notes
- 1) All dimensions are in feet and inches. Weights are in pounds and include options and accessories.
 - 2) Dimensions showing locations of coil & basin connections are approximate and should not be used for prefabrication of connecting piping.
 - 3) For weight loadings and support requirements, refer to the suggested steel support drawing.
 - 4) The area above the fan discharge must not be obstructed.
 - 5) Field piping must not be supported by the unit inlet or outlet connections.



MOTORIZED DRAIN BALL VALVE
1 1/2" FPT DRAIN
2 3/8"
4 1/2"



1 1/2" MPT OVERFLOW
3 1/8"
9 1/4"
11 5/8"

Model Number	Shipping Weight	Operating Weight	Heaviest Section
TSDC2-SS-156-18.6	5852	6490	5852

EASY PAD REMOVAL SYSTEM

ORDER NO:

DATE:



BALTIMORE AIRCOIL COMPANY

**TrilliumSeries™ Adiabatic Condenser
Six Fan Unit Print**

DRAWING NUMBER: