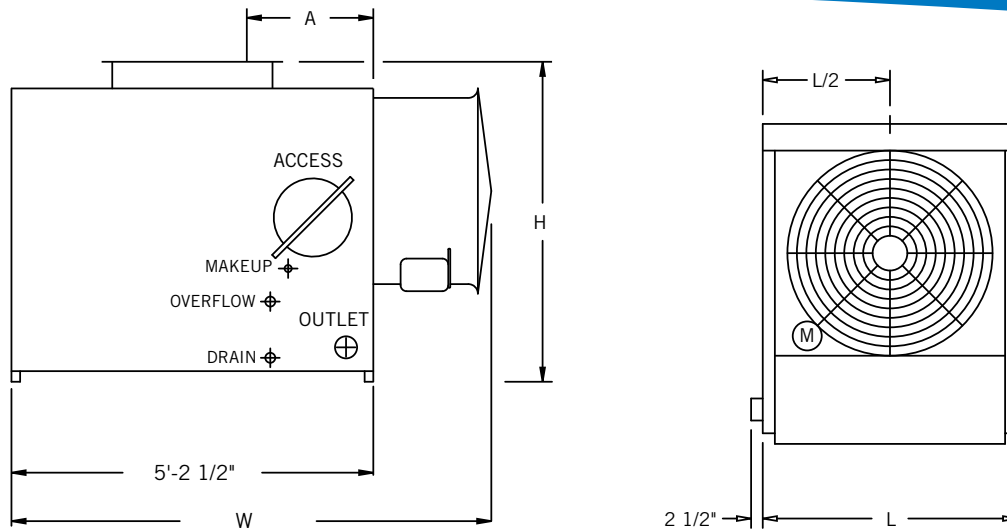


FXT Engineering Data



Models FXT-58 and 68

Model Number	Nominal Tonnage	Motor HP	Airflow (CFM)	Dimensions				Weights (lbs)		Connection Sizes	
				L	W	H	A	Operating	Shipping	Inlet	Outlet
FXT-58	58	3	18,500	6'-1"	7'-4"	7'-4"	1'-5"	3,140	1,220	6"	6"
FXT-68	68	5	21,700	6'-1"	7'-4"	7'-4"	1'-5"	3,150	1,230	6"	6"
FXT-74	74	3	21,800	6'-1"	7'-4"	8'-4"	4'-2"	4,230	1,720	8"	8"
FXT-87	87	5	25,600	6'-1"	7'-4"	8'-4"	4'-2"	4,240	1,730	8"	8"
FXT-95	95	7.5	29,100	6'-1"	7'-8"	8'-4"	4'-2"	4,280	1,770	8"	8"
FXT-115	115	5	33,900	9'-2"	7'-4"	8'-4"	4'-2"	6,080	2,220	8"	8"
FXT-130	130	7.5	38,300	9'-2"	7'-4"	8'-4"	4'-2"	6,120	2,260	8"	8"
FXT-136	136	10	41,800	9'-2"	7'-8"	8'-4"	4'-2"	6,160	2,300	8"	8"
FXT-160	160	7.5	47,100	12'-1"	7'-4"	8'-4"	4'-2"	8,030	2,880	8"	8"
FXT-175	175	10	51,500	12'-1"	7'-4"	8'-4"	4'-2"	8,070	2,920	8"	8"
FXT-192	192	15	58,900	12'-1"	7'-8"	8'-4"	4'-2"	8,120	2,970	8"	8"
FXT-216	216	10	56,400	12'-1"	7'-4"	11'-0"	3'-8"	9,420	3,560	8"	8"
FXT-240	240	15	65,300	12'-1"	7'-8"	11'-0"	3'-8"	9,470	3,610	8"	8"
FXT-257	257	20	70,000	12'-1"	7'-8"	11'-0"	3'-8"	9,490	3,630	8"	8"



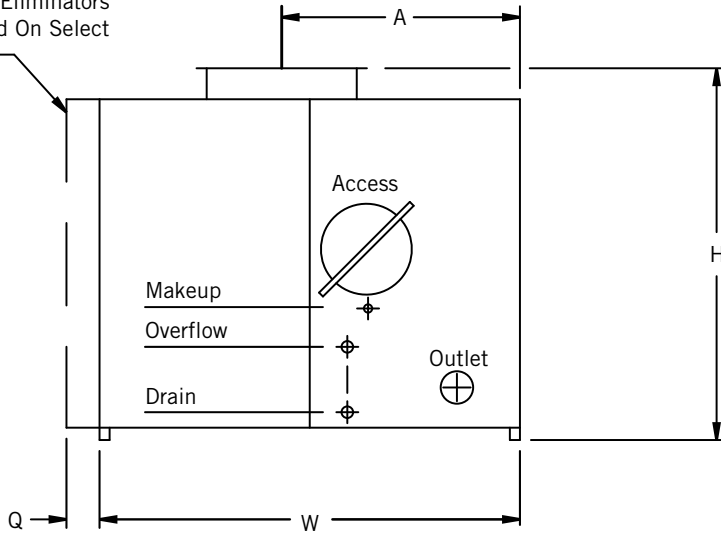
NOTES:

1. Unless otherwise indicated, all connections 4" and smaller are MPT and connections 6" and larger are beveled for welding.
2. Operating weight is based on the water level in cold water basin at overflow height.
3. Nominal tons of cooling represents the capability to cool 3 USGPM of water from a 95°F entering water temperature to an 85°F leaving water temperature at a 78°F entering wet-bulb temperature.

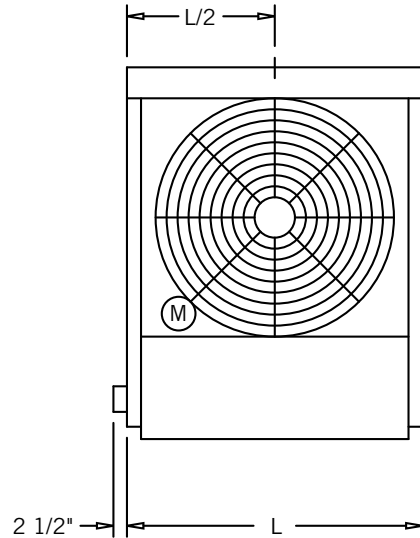
Do not use for construction. Refer to factory certified dimensions. This catalog includes data current at the time of publication, which should be reconfirmed at the time of purchase.

FXT Engineering Data

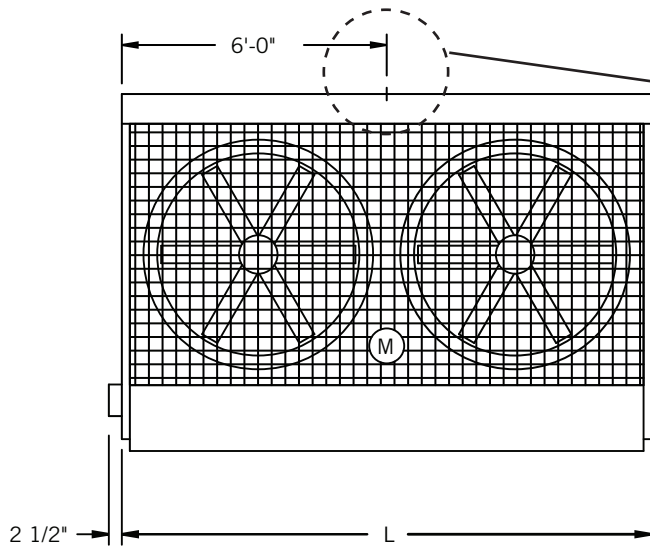
*Double Eliminators
Standard On Select
Models



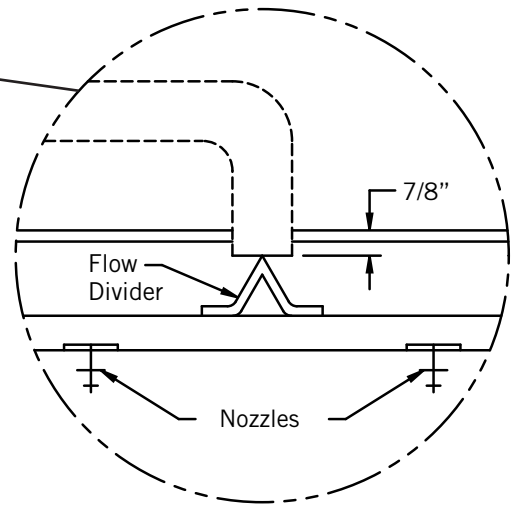
Models FXT 74-257



Models FXT 74-136



Models FXT 160-257

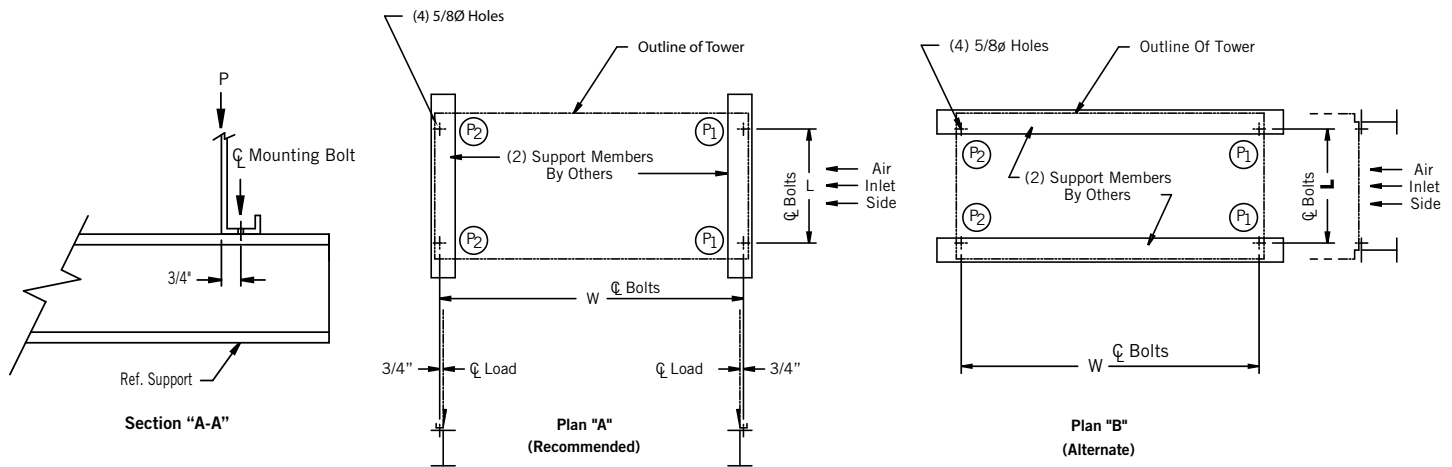


Flow Divider

FXT Structural Support



The recommended support arrangement for the FXT Cooling Tower consists of parallel structural members positioned as shown in the drawings. In addition to providing adequate support, the members also serve to raise the unit above any solid foundation to assure access to the bottom of the tower. FXT towers may also be supported on columns at the anchor bolt locations shown, if required.



STANDARD UNIT – STRUCTURAL SUPPORT

Model Number	Weight (lbs)		L	W	P1	P2
	Shipping	Operating				
FXT-58	1,220	3,140	5'	5'-1"	989	581
FXT-68	1,230	3,150	5'	5'-1"	992	583
FXT-74	1,720	4,230	5'	7'-1 7/8"	1,163	952
FXT-87	1,730	4,240	5'	7'-1 7/8"	1,166	954
FXT-95	1,770	4,280	5'	7'-1 7/8"	1,178	962
FXT-115	2,220	6,080	8'	7'-1 7/8"	1,672	1,368
FXT-130	2,260	6,120	8'	7'-1 7/8"	1,683	1,377
FXT-136	2,300	6,160	8'	7'-1 7/8"	1,695	1,385
FXT-160	2,880	8,030	11'	7'-1 7/8"	2,208	1,807
FXT-175	2,920	8,070	11'	7'-1 7/8"	2,219	1,816
FXT-192	2,970	8,120	11'	7'-1 7/8"	2,234	1,826
FXT-216	3,560	9,420	11'	7'-1 7/8"	2,543	2,167
FXT-240	3,610	9,470	11'	7'-1 7/8"	2,557	2,178
FXT-257	3,630	9,490	11'	7'-1 7/8"	2,563	2,182



NOTES:

1. Support members and anchor bolts shall be designed, furnished, and installed by others.
2. Design of support members and anchor bolts shall be in accordance with the strength and serviceability requirements of the applicable building code and project specifications.
3. Support members shall be level at the top.
4. Refer to the certified unit support drawing for loading and additional support requirements.
5. Operating weight is based on the water level in cold water basin at overflow height.