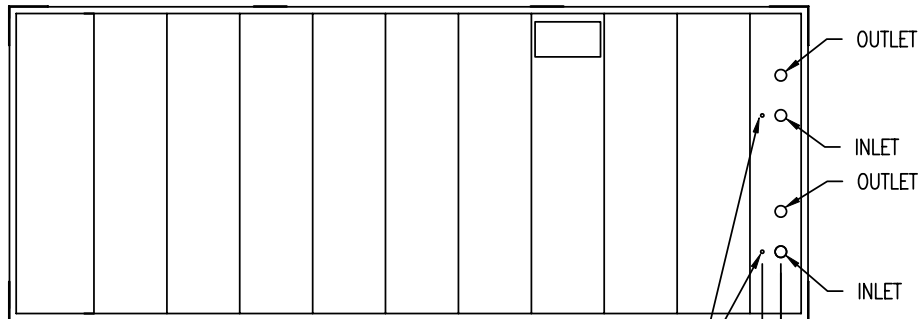


MODEL NO.	APPROX. SHIPPING WEIGHT	APPROX. OPERATING WEIGHT*	LATENT CAPACITY (T-H)	TANK VOLUME (GALLONS)	COIL VOLUME (GALLONS)	IN/OUT SIZE	DIMENSIONS					
							W	L	A	B	C	D
TSU-237M	9750	39100	237	2990	260	2"	7'-10 3/8"	10'-7 5/8"	8 5/8"	15 1/4"	23 5/8"	16 5/8"
TSU-476M	16750	73900	476	5840	495	3"	7'-10 3/8"	19'-10 1/4"	9 3/4"	15 1/4"	23 5/8"	16 5/8"
TSU-594M	20200	93100	594	7460	610	3"	9'-9 1/4"	19'-10 1/4"	9 3/4"	23"	21 3/4"	27 3/4"
TSU-761M	24000	113800	761	9150	790	3"	11'-9 3/4"	19'-10 1/4"	9 3/4"	27 1/8"	23 5/8"	40 1/4"

* OPERATING WEIGHT IS FOR UNIT WITH WATER LEVEL AT OVERFLOW LEVEL

NOTES:

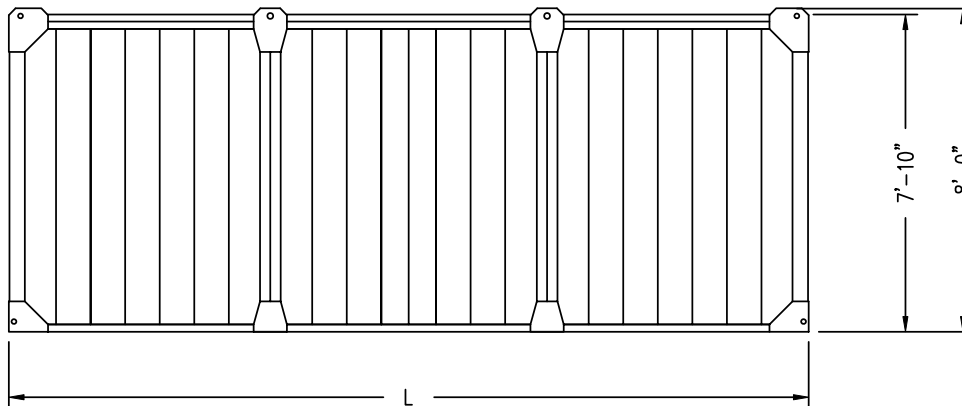
1. ALL DIMENSIONS ARE IN FEET AND INCHES. WEIGHTS ARE IN POUNDS.
2. DIMENSIONS LOCATING COIL CONNECTIONS ARE APPROXIMATE AND SUBJECT TO SOME VARIATION. THEY SHOULD NOT BE USED TO PREFABRICATE PIPE.
3. UNIT SHOULD BE CONTINUOUSLY SUPPORTED ON A FLAT LEVEL SURFACE.



PLAN VIEW

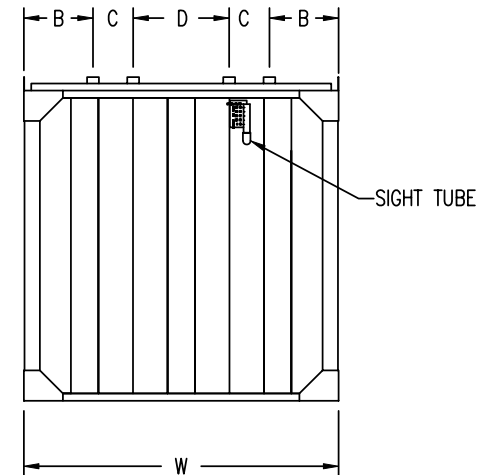
1/2" VENT (TSU-237M ONLY)
A
5 1/2"

ALL CONNECTIONS ARE GROOVED TO SUIT A MECHANICAL COUPLING. TO AVOID DAMAGE TO INSULATION AND TANK LINING NO WELDING IS PERMITTED AT THE TANK CONNECTIONS.



SIDE ELEVATION

MODEL TSU-476M SHOWN
OTHER MODELS SIMILAR



END ELEVATION

B.A.C.
ORDER NO:
DATE:



BALTIMORE AIRCOIL
COMPANY

ICE CHILLER®
THERMAL STORAGE UNIT

DRAWING NUMBER:
BAC-9986 A

G