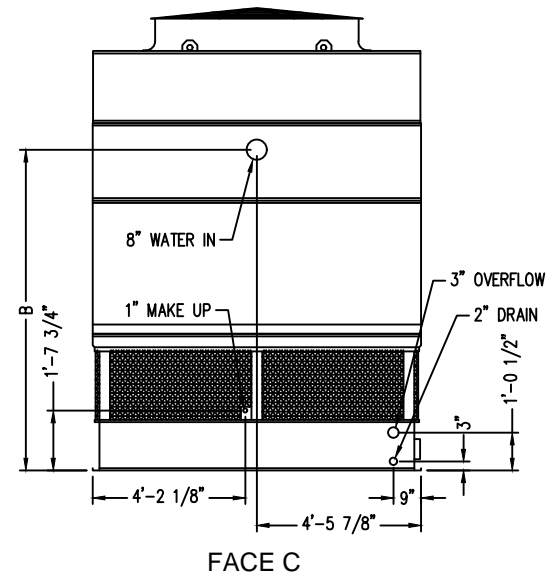


- Notes
- 1) Unless otherwise indicated, connections 3" and smaller are NPT. Connections 4" and larger are grooved to suit a mechanical coupling and beveled for welding.
 - 2) All dimensions are in feet and inches. Weights are in pounds and include options and accessories.
 - 3) For weight loadings and support requirements, refer to the suggested steel support drawing.
 - 4) The area above the fan discharge must be unobstructed.
 - 5) Piping must not be supported by the tower inlet or outlet connections.
 - 6) Unit weights include selected accessories.
 - 7) M = Motor location.
 - 8) External motor assembly ships loose for field installation.

Right Hand Unit

Model Number	Shipping Weight	Operating Weight	Heaviest Section	"H"	"B"	"D"	"L"
PT2-0809A-1x1	3820	6900	2860	11'-6 3/8"	6'-10 3/4"	7'-2 1/4"	3'-8 7/8"
PT2-0809A-2x1	4120	7200	3160	12'-6 3/8"	7'-10 3/4"	8'-2 1/4"	3'-8 7/8"
PT2-0809A-3x1	4480	7560	3510	13'-6 3/8"	8'-10 3/4"	9'-2 1/4"	3'-8 7/8"
PT2-0809A-4x1	4720	8120	3510	14'-6 3/8"	9'-10 3/4"	9'-2 1/4"	4'-8 7/8"
PT2-0809A-5x1	4940	8340	3730	15'-6 3/8"	10'-10 3/4"	10'-2 1/4"	4'-8 7/8"



ORDER NO:

DATE:



BALTIMORE AIRCOIL COMPANY

**PT2 Single Cell Unit Print
External Belt Drive**

DRAWING NUMBER:
GEN-PT2-0809A