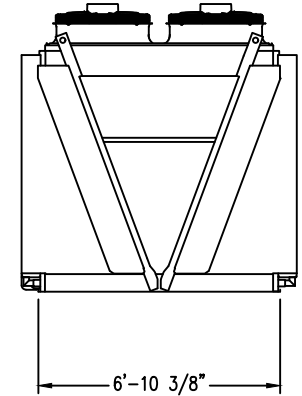
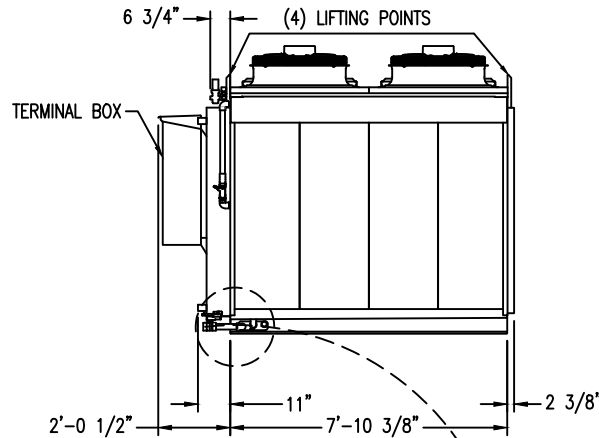
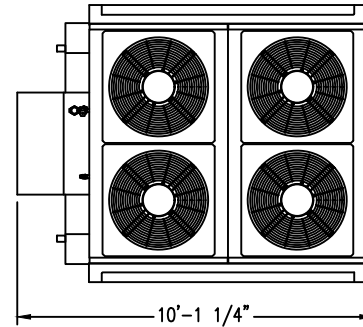
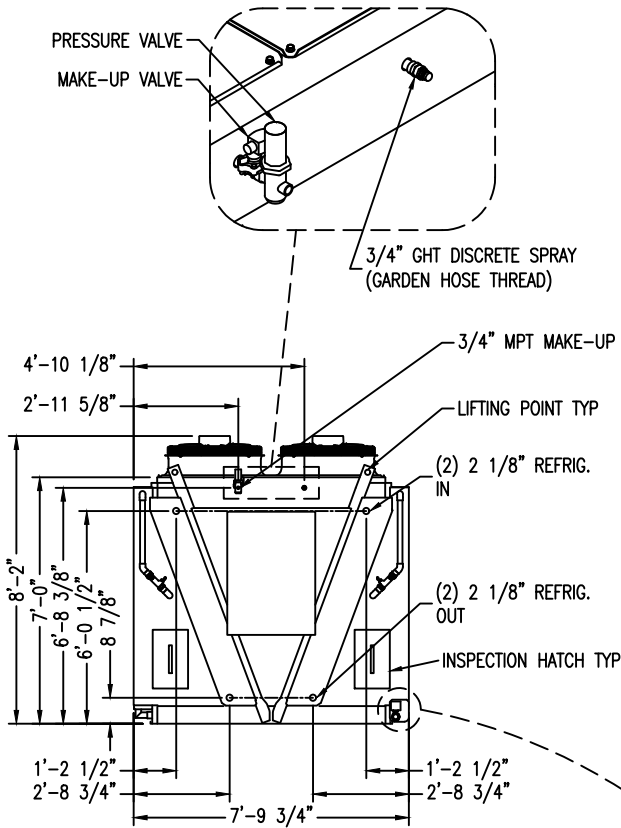
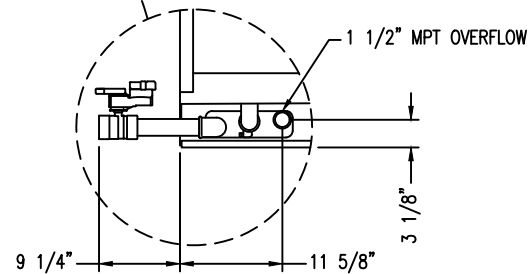
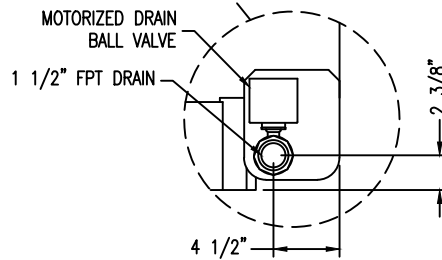


ISOMETRIC DETAIL VIEW



Notes

- 1) All dimensions are in feet and inches. Weights are in pounds and include options and accessories.
- 2) Dimensions showing locations of coil & basin connections are approximate and should not be used for prefabrication of connecting piping.
- 3) For weight loadings and support requirements, refer to the suggested steel support drawing.
- 4) The area above the fan discharge must not be obstructed.
- 5) Field piping must not be supported by the unit inlet or outlet connections.



Model Number	Shipping Weight	Operating Weight	Heaviest Section
TSDC2-CO2-202-12.4	4356	4840	4356

EASY PAD REMOVAL SYSTEM

ORDER NO:

DATE:



BALTIMORE AIRCOIL COMPANY

**TrilliumSeries™ Adiabatic Condenser
Four Fan Unit Print**

DRAWING NUMBER: