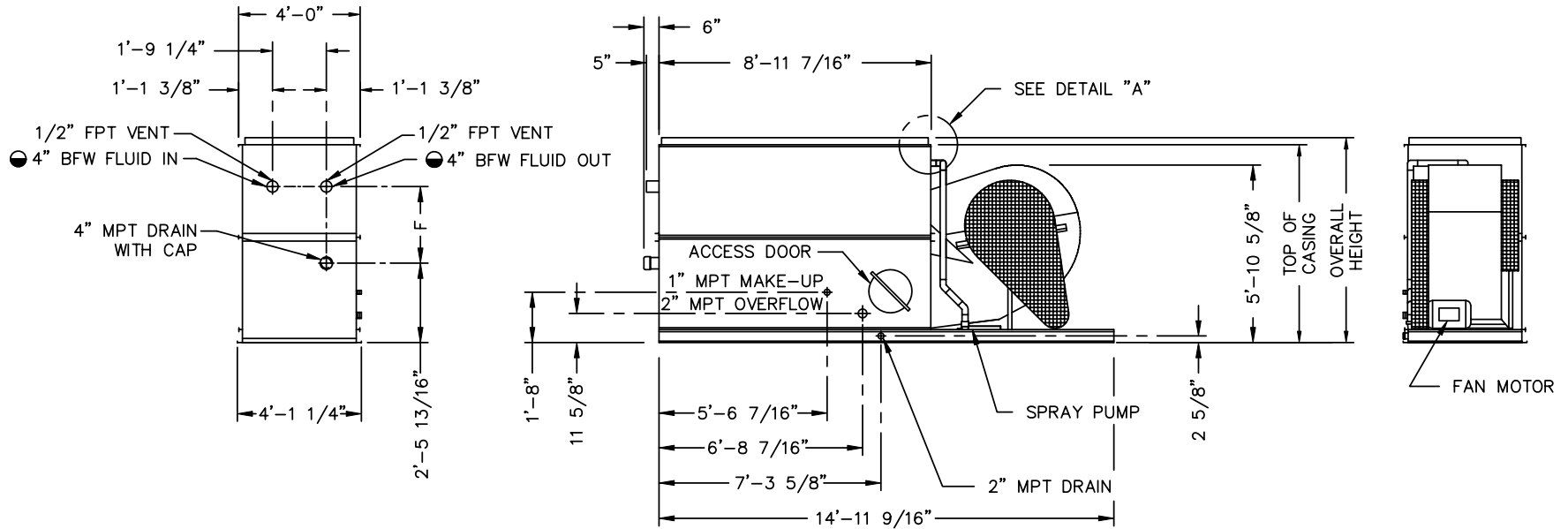
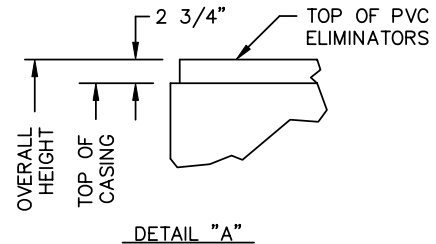


2000© Baltimore Aircoil Company. All Rights Reserved.



● BFW BEVELED FOR WELDING

MODEL NO.	APPROX. SHIPPING WEIGHT (LBS)	APPROX. OPERATING WEIGHT (LBS)	F	TOP OF CASING	OVERALL HEIGHT
VFL-036-22J	4690	7070	2'-9 1/4"	6'-10 1/4"	6'-10 1/4"
VFL-036-22K	4690	7070	2'-9 1/4"	6'-10 1/4"	6'-10 1/4"
VFL-036-22L	4690	7070	2'-9 1/4"	6'-10 1/4"	7'-0"
VFL-036-22M	4690	7070	2'-9 1/4"	6'-10 1/4"	7'-0"
VFL-036-32K	5330	7950	3'-6 1/2"	7'-8 3/4"	7'-8 3/4"
VFL-036-32L	5330	7950	3'-6 1/2"	7'-8 3/4"	7'-11 1/2"
VFL-036-32M	5330	7950	3'-6 1/2"	7'-8 3/4"	7'-11 1/2"



TYPICAL ONLY WHERE OVERALL HEIGHT EXCEEDS TOP OF CASING

NOTES:

1. ALL DIMENSIONS ARE IN FEET AND INCHES. WEIGHTS ARE IN POUNDS.
2. UNLESS OTHERWISE INDICATED, ALL CONNECTIONS 6 INCHES AND SMALLER ARE MPT AND CONNECTIONS 8 INCHES AND LARGER ARE BEVELED FOR WELDING.
3. DIMENSIONS SHOWING LOCATION OF COIL CONNECTIONS ARE APPROXIMATE AND SHOULD NOT BE USED FOR PREFABRICATION OF CONNECTING PIPING.
4. FOR SUPPORT REQUIREMENTS, REFER TO THE SUGGESTED STEEL SUPPORT DRAWING.

B.A.C. ORDER NO.	BALTIMORE AIRCOIL	RIGHT HAND UNIT STANDARD OUTLET WITH PUMP	
DATE		DWG NO. BAC-15864A	A