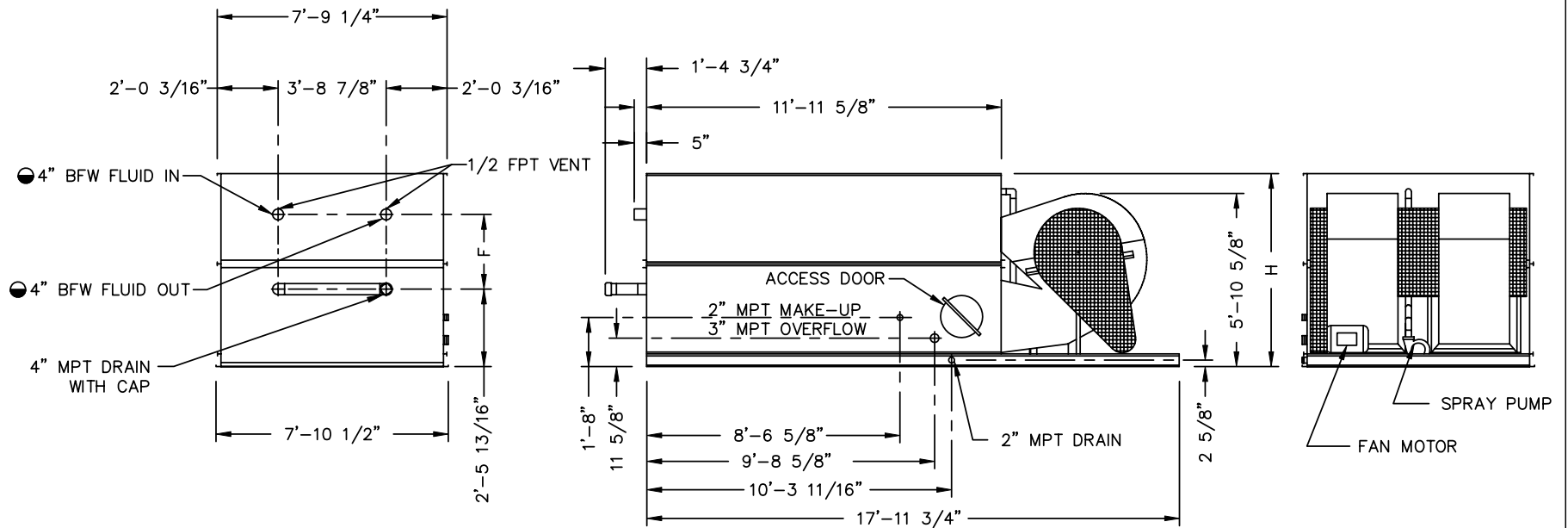


2000© Baltimore Aircoil Company. All Rights Reserved.



● BFW BEVELED FOR WELDING

MODEL NO.	APPROX. SHIPPING WEIGHT (LBS)	APPROX. OPERATING WEIGHT (LBS)	F	H
VFL-096-42N	12960	20680	4'-3 3/4"	8'-4 3/4"
VFL-096-42O	12960	20680	4'-3 3/4"	8'-4 3/4"
VFL-096-42P	12960	20680	4'-3 3/4"	8'-4 3/4"

NOTES:

1. ALL DIMENSIONS ARE IN FEET AND INCHES. WEIGHTS ARE IN POUNDS.
2. UNLESS OTHERWISE INDICATED, ALL CONNECTIONS 6 INCHES AND SMALLER ARE MPT AND CONNECTIONS 8 INCHES AND LARGER ARE BEVELED FOR WELDING.
3. DIMENSIONS SHOWING LOCATION OF COIL CONNECTIONS ARE APPROXIMATE AND SHOULD NOT BE USED FOR PREFABRICATION OF CONNECTING PIPING.
4. FOR SUPPORT REQUIREMENTS, REFER TO THE SUGGESTED STEEL SUPPORT DRAWING.

B.A.C. ORDER NO.
DATE



RIGHT HAND UNIT STANDARD OUTLET WITH PUMP	
DWG NO. BAC-15870A	-